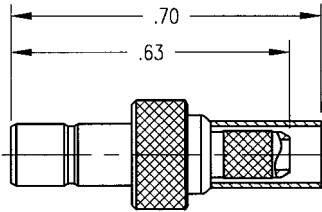


SMB MINI 75 Ohm: Crimp Flexible Cable

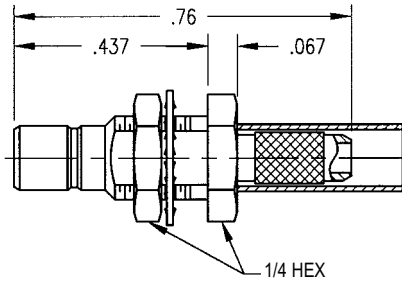
Straight Plug Crimp / Crimp



Part Number	Cable
571-900-0630H	RG-179
571-900-0631H	RG-179 double shielded

- See page 111 for cable assembly procedures: 9-08
- Part number shown is for gold plated.
- For nickel plate change suffix to "N".

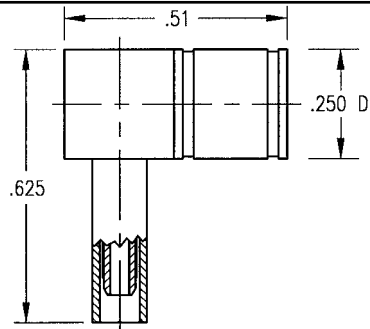
Straight Bulkhead Jack Crimp / Crimp



Part Number	Cable	Mounting Hole
571-980-0630H	RG-179	No. 080
571-980-0631H	RG-179 double shielded	No. 080

- See page 83 for mounting hole layout.
- See page 111 for cable assembly procedures: 9-08
- Part number shown is for gold plated.
- For nickel plate change suffix to "N".

Right Angle Plug

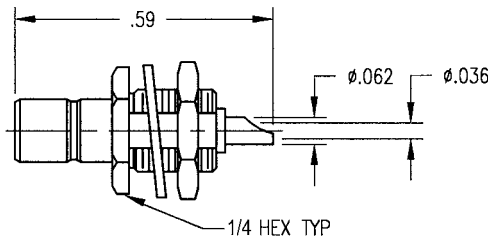


Part Number	Cable
572-900-0630H	RG-179
572-900-0631H	RG-179 double shielded

- See page 110 for cable assembly procedures: 9-06
- Part number shown is for gold plated.
- For nickel plate change suffix to "N".

SMB MINI 75 Ohm: Bulkhead & PCB Mount Receptacles

Straight Jack Front Mount D Hole

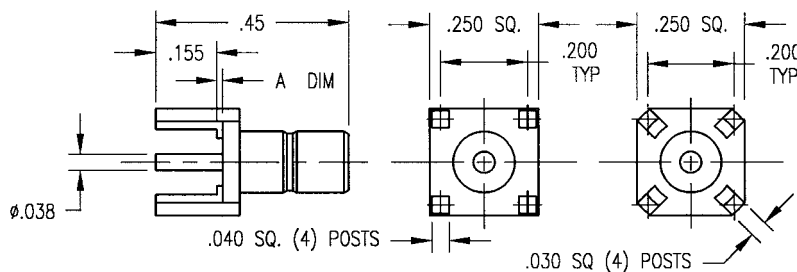


Part Number	Mounting Hole
571-080-0000H	No. 080

- See page 83 for mounting hole layout.
- Part number shown is for gold plated.
- For nickel plate change suffix to "N".

Straight Jack

Figure 1



Part Number	Mounting Hole	A Dim	Figure
571-060-0040H	No. 060 B	-	1
571-060-0047H	No. 060 A	-	2
571-060-0048H	No. 060 A	.020	2

- See page 83 for mounting hole layout.
- Part number shown is for gold plated.
- For nickel plate change suffix to "N".

Figure 2

Note: Dimensions shown in inches.