

# Autotransformer ESP 400/10



Picture shows ESP 230/10

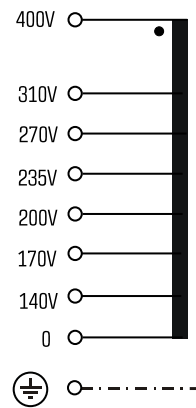
## Advantages

- Low weight and small size (compared to isolating transformers)
- High efficiency
- Very good moisture protection and low noise due to BLOCK IMPEX vacuum impregnation
- Contact protected screw connection terminals complying with UVV BGV A3
- Simple mounting due to robust metal footplate with oval slots

## Applications

Autotransformer for example for setting the speed of single-phase fan motors.

## Sample application



## Standards

Autotransformer  
to: VDE 0570 Part 2-13, DIN EN 61558-2-13, EN 61558-2-13,  
IEC 61558-2-13

## Approvals



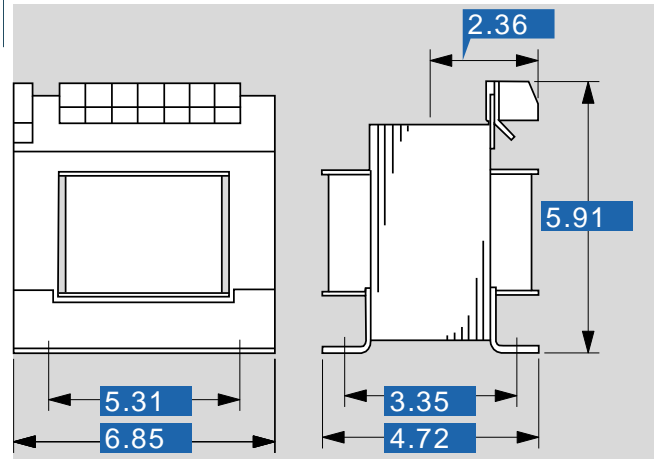


# Autotransformer ESP 400/10

Type		ESP 400/10
Electrical data	Input	
	Rated input voltage	400 Vac
	Rated frequency	50 - 60 Hz
	Output	
	Rated output voltage	140 Vac/ 170 Vac/ 200 Vac/ 235 Vac/ 270 Vac/ 310 Vac
	Rated output current	10.00 A
	Environment	
	Ambient temperature max.	104.0 °F
	Safety and protection	
	Type	Open type
Insulation class	B	
Protection index	IP 00	
Safety class (prepared)	I	
Short circuit strength	non-short-circuit proof	
Order numbers		
<b>Order Number</b>		<b>ESP 400/10</b>

Type		ESP 400/10
Mechanical data	Terminal and mounting	
	Fixing method	Fixing rail
	Fixing screws	M6
	Terminals	Screw-type terminals, PE 6.3 x 0.8
	Measures and weights	
	Weight	25.35 lbs

## Dimensions in inch



Subject to change.