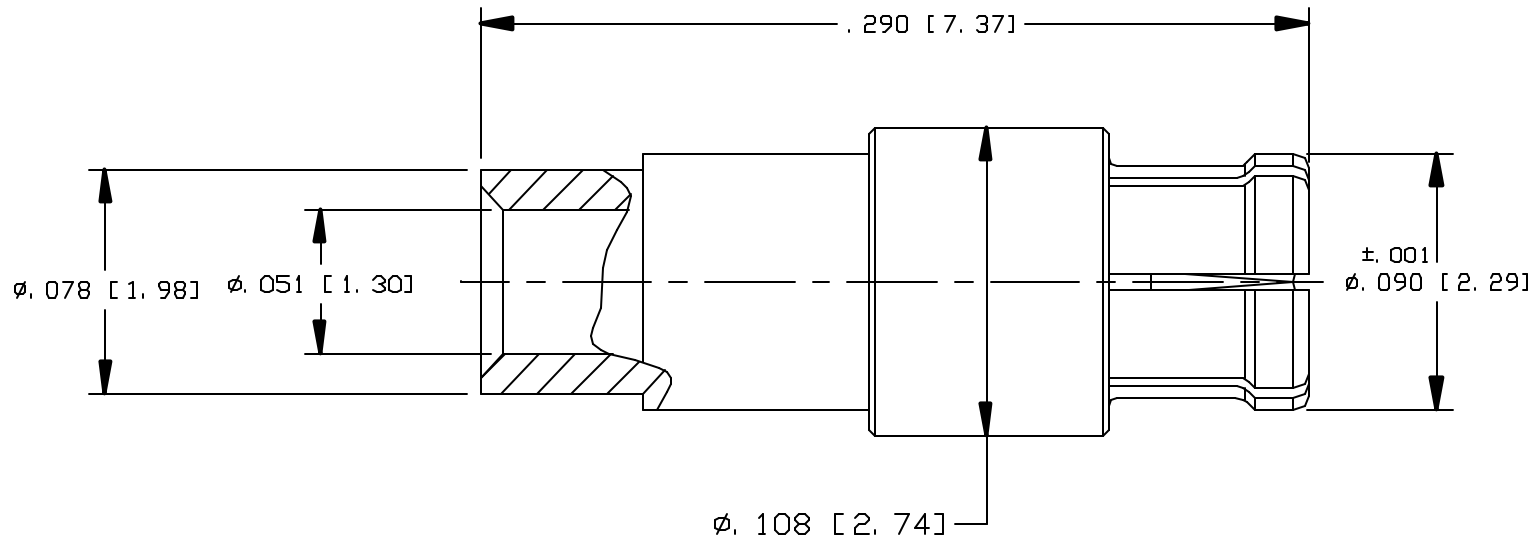


CAD DRAWING - NO MANUAL REVISIONS



NOTES:

1. DESIGN AND INTERFACE PER I. D. S. -32.
2. FOR USE WITH M17/151 ø.047 S/R OR EQUIVALENT CABLE.

				<b>PALCO CONNECTOR</b> 22 GREAT HILL RD., NAUGATUCK, CT 06770 UNLESS OTHERWISE SPECIFIED, PALCO WORKMANSHIP STANDARDS APPLY TOLERANCES ON: DECIMALS: XX ±.01 .XXX ±.005 ANGLES ±1/2° 32' DIMENSIONS IN INCHES OR (METRIC) DO NOT SCALE PRINTS CATALOG ITEM	DRAWN ALS	CHECKED JEM	ENGINEER ALS	APPROVED JEM	FSCM 58167
B	PER ECN 9772	02/03/09	JEM		DESCRIPTION SMPM, SOCKET FOR ø.047 S/R CABLE	DATE	DRAWING NO.		PLATING OPT.
A	PER ECN 9641	11/19/08	JEM			05/11/07	132-1200-0470	A	
REV.	DESCRIPTION	DATE	APPR.						