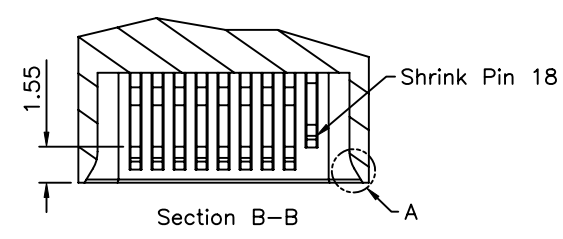
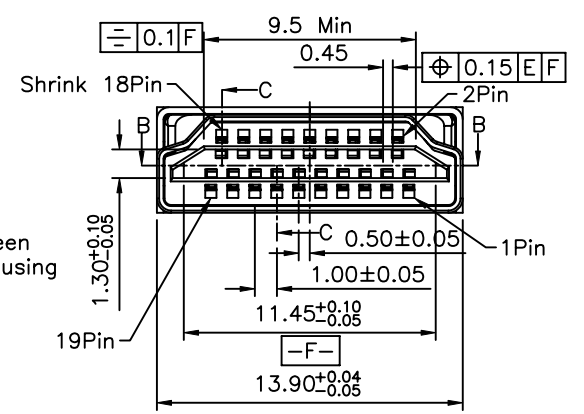
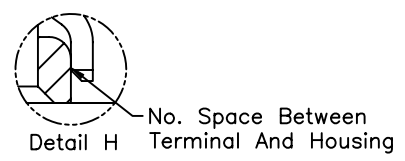
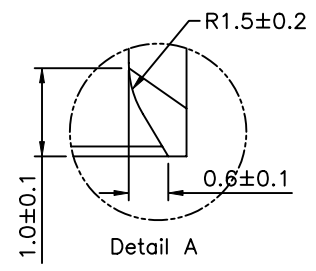
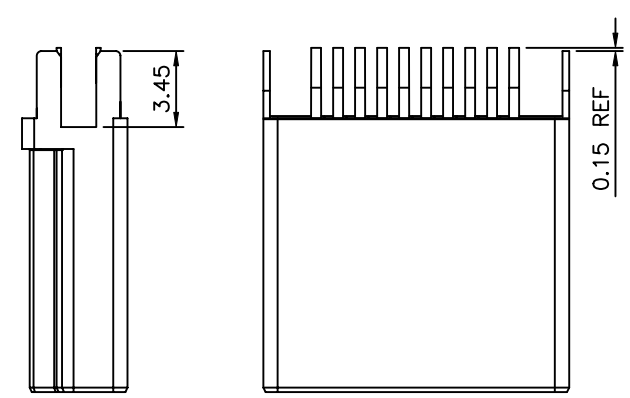
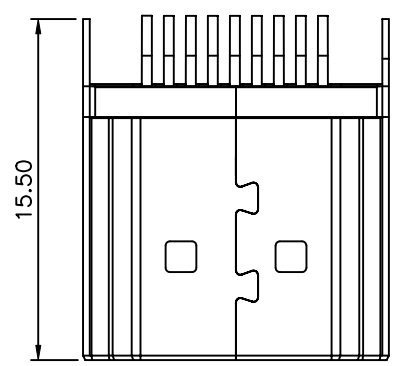


Section C-C



Section B-B

RoHS Compliant

No.	Name	Material	Finish/Color	Q'ty
4	10P Terminal	Phosphor Bronze C5210R-H T=0.20mm	Gold Flash	10Pcs
3	9P Terminal	Phosphor Bronze C5210R-H T=0.20mm	Gold Flash	9Pcs
2	Shell	SPCC	Nickel Plated	1Pcs
1	Housing	PA6T	Black	1Pcs

**AUK** A MEMBER OF AUK GROUP  
**太聯事業股份有限公司**  
**AUK CONTRACTORS CO., LTD.**

CATEGORY		APPROVED BY		UNLESS OTHERWISE SPECIFIED TOLERANCES ARE .X ±0.25 X.* ±2° .XX ±0.15 .X* ±1.5°				
PART No. HDM19PE-H		MEI						
DRAWING No. HDM19PE-H		CHECKED BY HZF						
SCALE NONE		DRAWING BY HYY						
REV.	A0	UNIT mm	NO.	AO	NEW RELEASE	HZF	08/21/2008	
				REVISIONS	CHK	DATE		