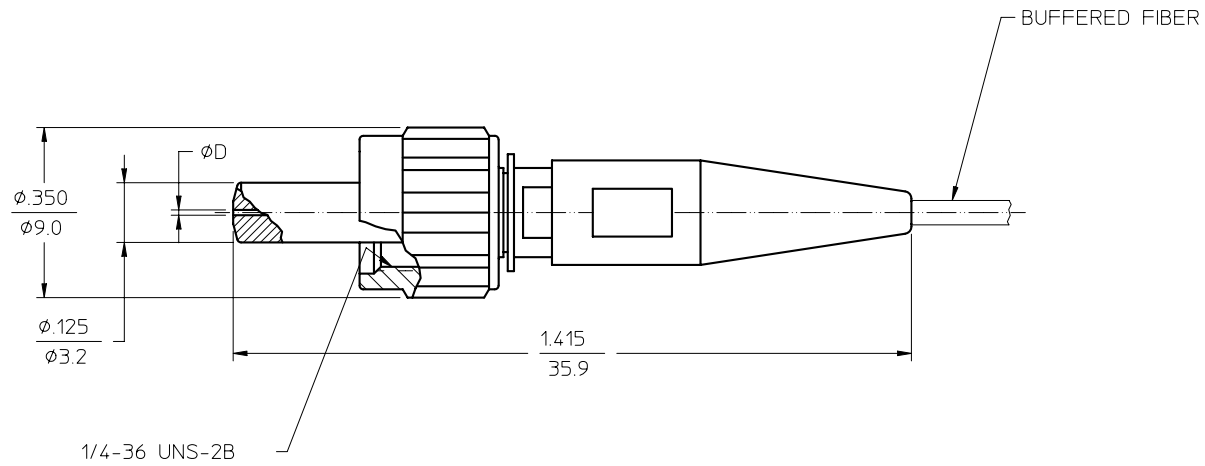


P/N OF CONNECTOR	ϕD (μm)	MATERIAL OF COUPLING NUT	MATERIAL OF FERRULE	CABLE TYPE
86020-0500	128	PLASTIC	Zr	MULTIMODE
86021-0500		METAL		
86020-0500	144	PLASTIC		
86021-1500		METAL		



ALL DIMENSIONS ARE GIVEN IN $\frac{\text{INCHES}}{\text{mm}}$

RESTRICTED RELEASE
DRAWING MAY CHANGE WITHOUT
CUSTOMER NOTIFICATION



Fiber Optics

Downers Grove, Illinois

TITLE: SMA BARE FIBER CONNECTOR

Drawing No. 8602X-X500 CD

Size B

Scale 4:1

REV. C

Sheet 1 of 1