

E-Series Coupler

5 - 750 MHz

ESDCJ-10-3-75

V3.00

Features

- Coupling: +10 dB Typical
- Surface Mount

Specifications @ 25°C

Frequency Range	5 - 750 MHz	
Coupling	Nominal	Flatness
5 - 750 MHz	10 ±1.3 dB	1.2 dB
Main Line Loss	Typical	Maximum
5 - 750 MHz	1.0 dB	1.8 dB
Directivity	Typical	Minimum
5 - 750 MHz	22 dB	15 dB
VSWR	1.3:1 Typical	
5 - 750 MHz		

Operating Characteristics

Impedance	75 Ohms Nominal
-----------	-----------------

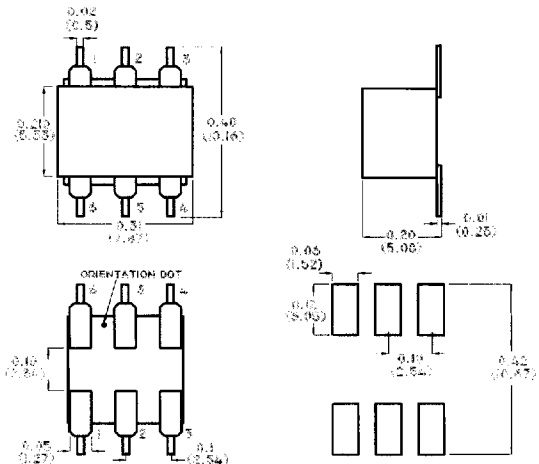
Ordering Information

Part No.	Packaging
ESDCL-10-3-75	Tube
ESDCL-10-3-75TR	Forward Tape & Reel

Absolute Maximum Ratings

Parameter	Absolute Maximum
RF Power	250 mW
DC Current	30 mA
Operating/Storage Temp.	20°C to +85°C

SM-24



Dimensions in () are in mm.
 Unless Otherwise Noted: .x = ±0.04 (1.00)
 .xx = ±0.02 (0.50)
 .xxx = ±0.010 (0.250)

Pin Configuration

Function	Pin No.
Input	6
Output	1
Coupled	4
Ground	2
Case Ground	2
Not Connected	3,5

S 0942 B

Specifications Subject to Change Without Notice.

M/A-COM, Inc.

5-57

North America: Tel. (800) 366-2266 ■ Asia/Pacific: Tel. +81 (03) 3226-1671 ■ Europe: Tel. +44 (1344) 869 595
 Fax (800) 618-8883 Fax +81 (03) 3226-1451 Fax +44 (1344) 300 020