

DH ATTENUATORS

SMA, up to 23 GHz, 2 Watts



SPECIFICATIONS:

Models: DH

RoHS
Compliant

Electrical:

Frequency Range _____ DC - 23 GHz
 Standard Freq. Values _____ 2.5, 6, 12.4, 18 & 23 GHz
 Standard dB Values* _____ 0 - 10, 12, 15, 20, 30 & 40 dB
In 1 dB Increments

Attenuation Accuracy

0 - 6 dB _____ ±0.3 dB
 7 - 20 dB _____ ±0.5 dB
 21 - 30 dB _____ ±0.75 dB
 31 - 35 dB _____ ±1.0 dB
 36 - 40 dB _____ ±1.5 dB

VSWR

DC - 4 GHz _____ 1.15:1 Max.
 4 - 8 GHz _____ 1.20:1 Max.
 8 - 12.4 GHz _____ 1.25:1 Max.
 12.4 - 23 GHz _____ 1.35:1 Max.

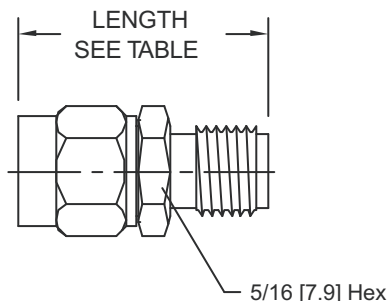
Input Power _____ 2 Watts Avg. @ 25°C
Derated Linearly to 0.5 Watts @ +125°C

Peak Power _____ 250 Watts Max.
(5uSec Pulse, .05% Duty Cycle)

Impedance _____ 50 Ohms
 Operating Temp Range _____ -65°C to +125°C

Mechanical:

SMA Connectors _____ Passivated Stainless Steel
Mates with MIL-STD-348
 Conductors _____ Gold Plated Beryllium Copper



Note: Connectors are Epoxy Sealed

Connector Configuration	LENGTH			
	0 - 20 dB		21 - 40 dB	
	Inches	Millimeters	Inches	Millimeters
Male/Female	.70 ±.03	[178 ±0.8]	.83 ±.03	[211 ±0.8]
Male/Male	.76 ±.03	[19.3 ±0.8]	.89 ±.03	[22.6 ±0.8]
Female/Female	.64 ±.03	[16.3 ±0.8]	.77 ±.03	[19.6 ±0.8]

HOW TO ORDER:

Model Number: **XXDH-XXY**

Freq. Range _____
 6 = DC - 6 GHz
 12 = DC - 12.4 GHz
 18 = DC - 18 GHz
 23 = DC - 23 GHz

Connector Configuration _____
 = Male/Female
 F = Fem/Fem
 M = Male/Male

_____ dB Value

Ordering Examples:

Model Number: **18DH-20**
 DC - 18 GHz; 20 dB; SMA - Male/Fem

Model Number: **12DH-6F**
 DC - 12.4 GHz; 6 dB; SMA - Fem/Fem

Model Number: **6DH-3M**
 DC - 6 GHz; 3 dB; SMA - Male/Male

Model Number: **23DH-30**
 DC - 23 GHz; 30 dB; SMA - Male/Fem

Note: Dimensions in Brackets are Expressed in Millimeters and are for Reference Only.

*Other dB values, units that operate over a more specific frequency band and/or offer very low return loss (VSWR); and gold plated units are also available.

23DH-ATT: REV J



Aeroflex / Inmet, Inc. 300 Dino Drive, Ann Arbor, MI 48103 • U.S.A.
 888-244-6638 or 734-426-5553 • FAX: 734-426-5557
www.aeroflex-inmet.com • inmet-sales@eroflex.com