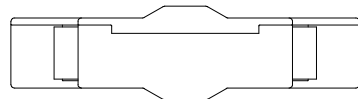
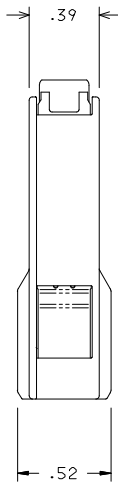
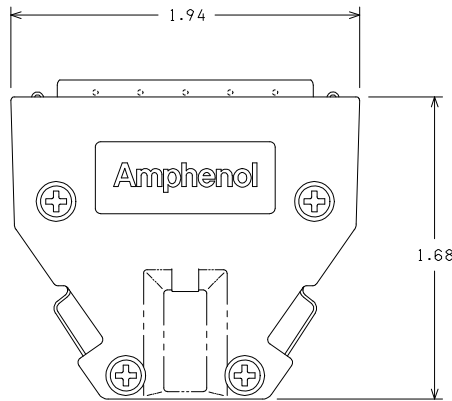
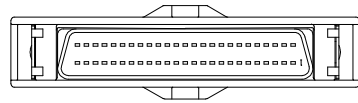
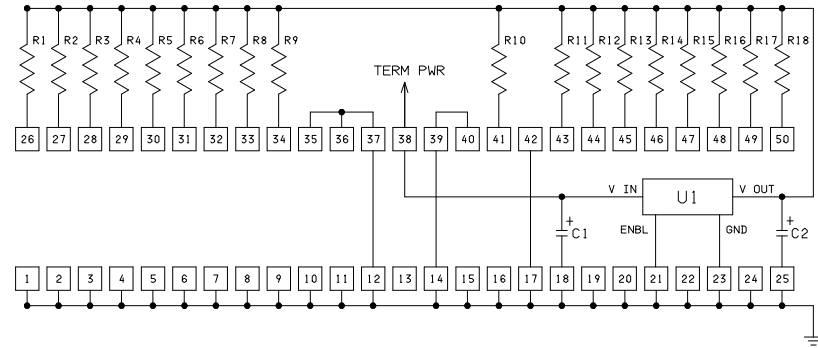


REVISIONS				
ZONE	LTR	DESCRIPTION	DATE	APPROVED
		CUSTOMER DRAWING		



SINGLE ENDED ACTIVE NEGATION SCHEMATIC



C1, C2 = 4.7 μ F 15 VOLT TANTALUM
R1 - R18 = 110 OHM \pm 1% 1/8 WATT
U1 = ACTIVE NEGATION VOLTAGE REGULATOR

<small>UNLESS OTHERWISE SPECIFIED DIMENSIONS ARE IN INCHES TOLERANCE ON</small> <small>FRAC- TION</small> ± <small>DECIMAL</small> .X ± .XX ± .XXX ± <small>ANGLE</small> ±	EAR NO.	Amphenol Interconnect Products 20 VALLEY ST. PHONE (888) 275-2472 ENDICOTT, NY 13760 FAX (607) 786-4311
	SIGNATURES	DATE
	DRAWN J LaSHIER	11/99
	CHECKED	
APPROVED		TERMINATOR ASSEMBLY, SCSI 2 SINGLE ENDED ACTIVE NEGATION
APPROVED		SIZE C 502120001 REV
		SCALE: 2 / 1 SHEET 1 OF 1