

DATA SHEET

UM MODEL NO.:	SPECIFICATIONS	REV.	
UT12002A	10/100BASE-T SINGLE PORT SURFACE MOUNT MAGNETICS	A6	14/42

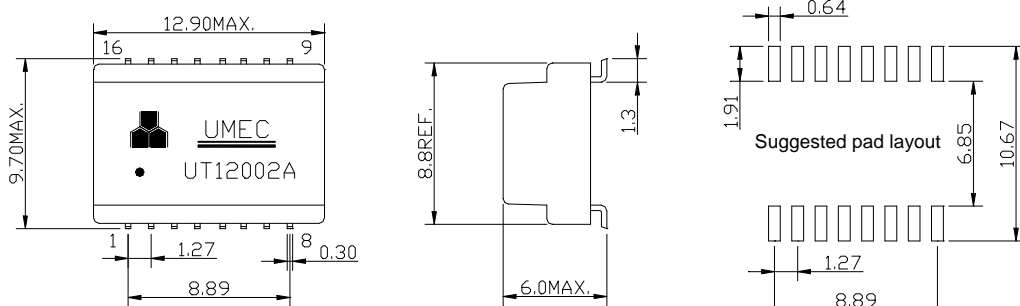
Features:

1. Meets IEEE 802.3 and ANSI X.3.263 standards including 350uH OCL with 8mA bias.
2. For RoHS Compliant is Designed for reflow soldering at temperature 245°C(+0°C/-5°C)
3. Compact footprint for use in the most space restrictive applications.
4. Turns ratio tolerance: $\pm 5\%$
5. Operating temperature: -40°C to +85°C
6. Approved by UL 60950-1, UL file no. E212730.

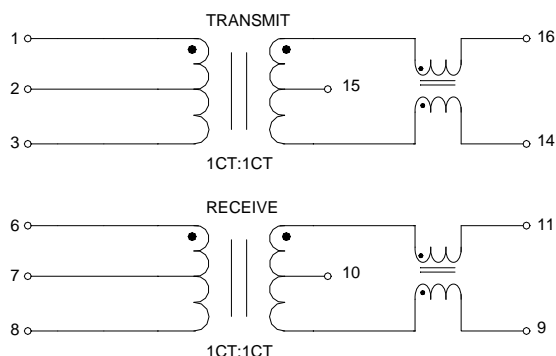
Electrical Specification @25 °C:

1. Insertion Loss: -1.1dB Max. @ 0.10--100MHz. TX/RX
2. Return Loss: -20dB Min. @ 30MHz. TX/RX
-14dB Min. @ 60MHz. TX/RX
-11.5dB Min. @ 80MHz. TX/RX
3. Com. to Com. Mode Rejection: -35dB Min. @ 0.1MHz to 100MHz TX/RX
4. Cross Talk: -45dB Min. @ 30MHz. TX to RX
-40dB Min. @ 60MHz. TX to RX
-35dB Min. @ 100MHz. TX to RX.
5. HI-POT: 1500Vrms/2sec. Leakage Current 0.5mA Max./input to output.

Dimensions & Schematic:



Coplanarity: 0.1mm



- NOTE :
1. Packaging Information: Tape and Reel according to Item NO. "SO16A " OF DATA SHEET 01-00
 2. For RoHS compliant products:
 - a.) Ordering code (Manufacturer Part Number) : **TG-UT12002A**
 - b.) Date Code suffix to "G" (xxxxG).
 - c.) Solder : Sn/Ag/Cu .
 3. Specifications are subject to change without prior notice.

Unit: mm

Tolerances: ± 0.25 mm



UNIVERSAL MICROELECTRONICS CO.,LTD.
TEL:886-4-23590096 FAX:886-4-23590129
<http://www.umec-web.net> E-mail:business@umec.com.tw

3,27TH RD.,TAICHUNG INDUSTRIAL PARK,
TAICHUNG,TAIWAN,R.O.C

E10-007-C