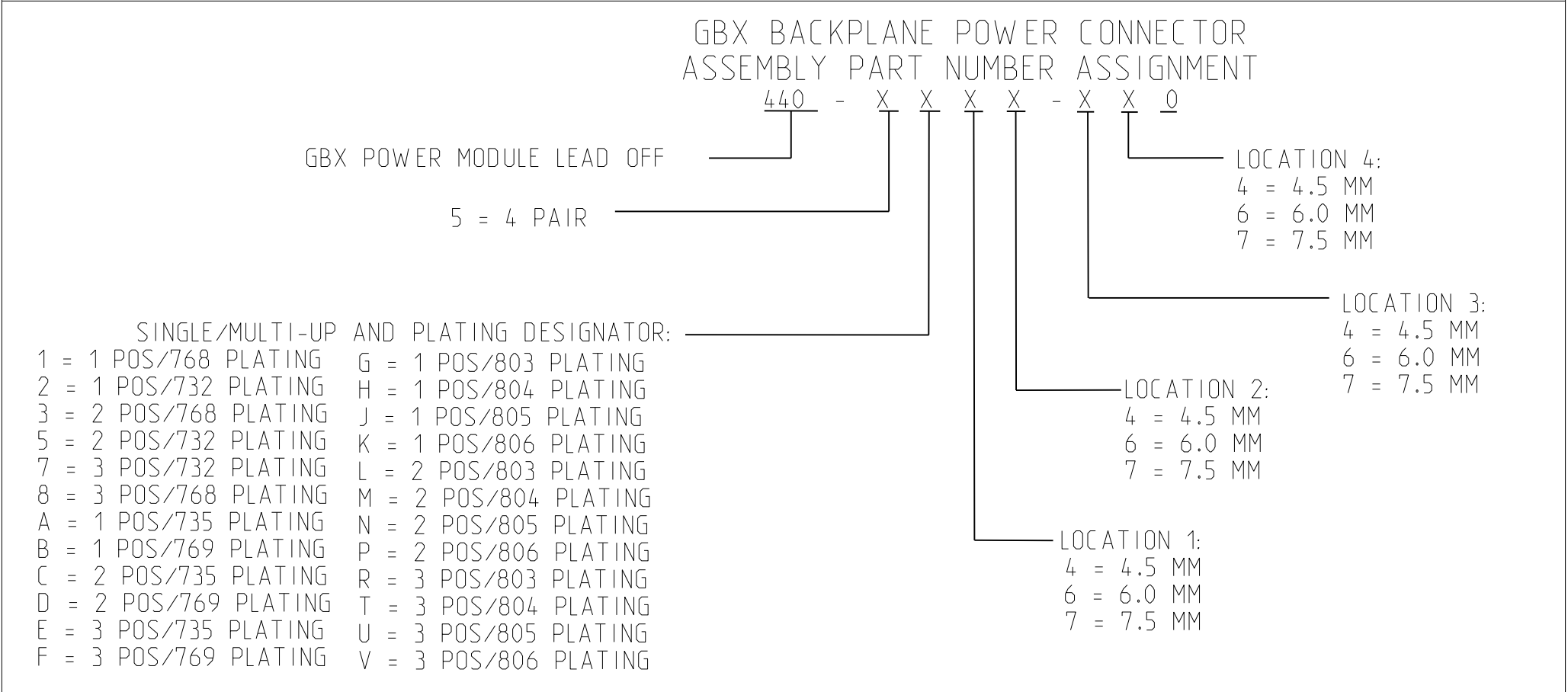


ZONE	REV	SCR NUMBER	DESCRIPTION	BY	DATE	APPROVED
ALL	A	DSMH-9E3LSH.VER01	NEW RELEASE	HCL-AK	12/09/2013	D.SMITH

TABLE 1
GBX BACKPLANE POWER CONNECTOR ASSEMBLY PART NUMBER ASSIGNMENT

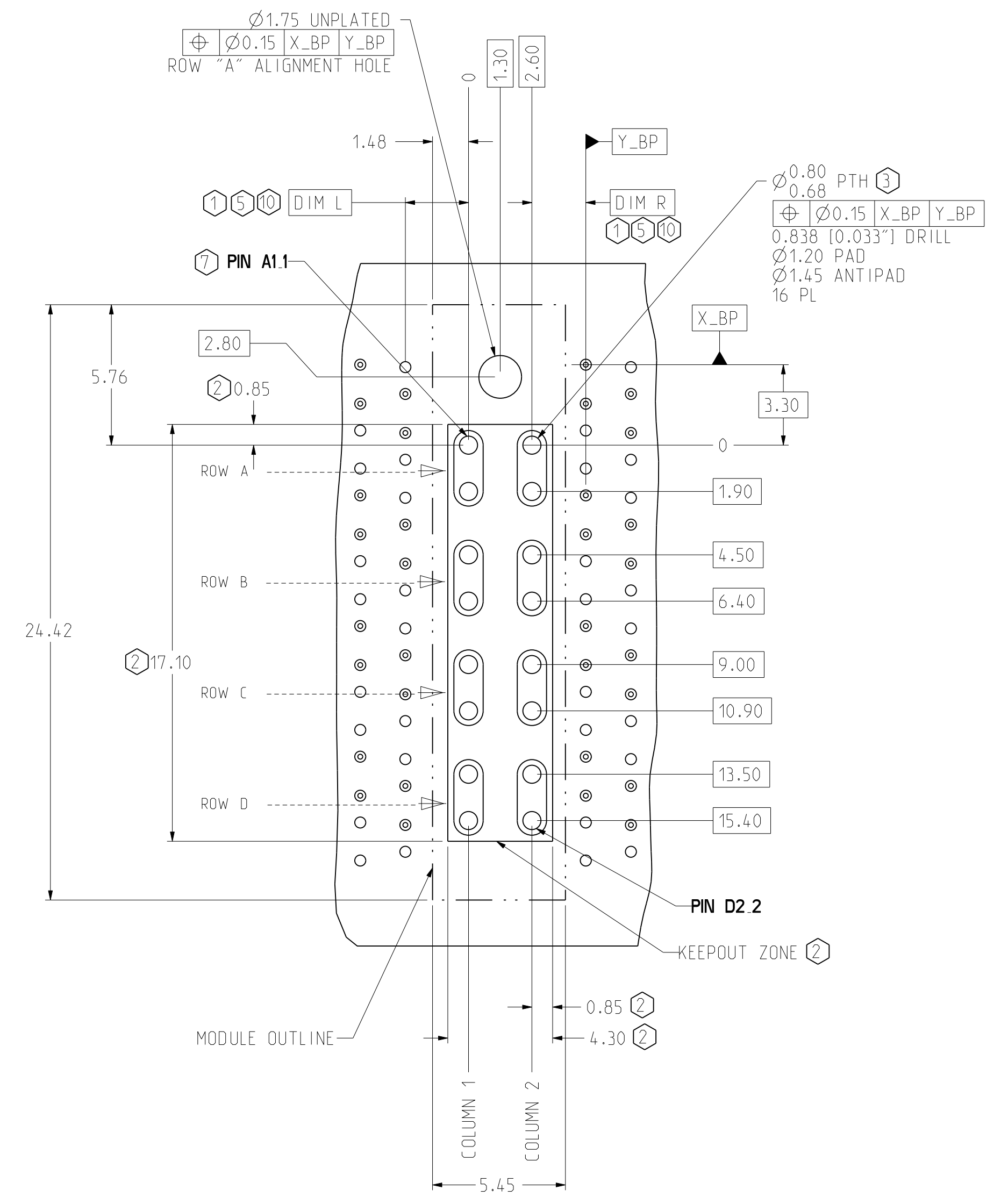
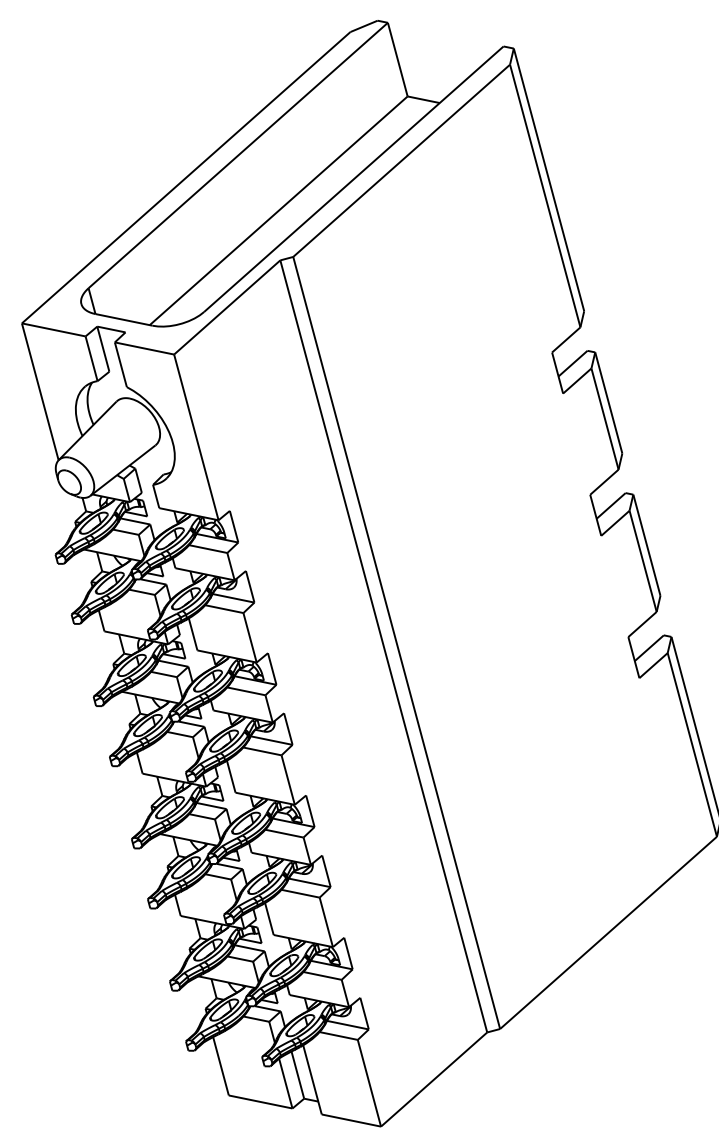
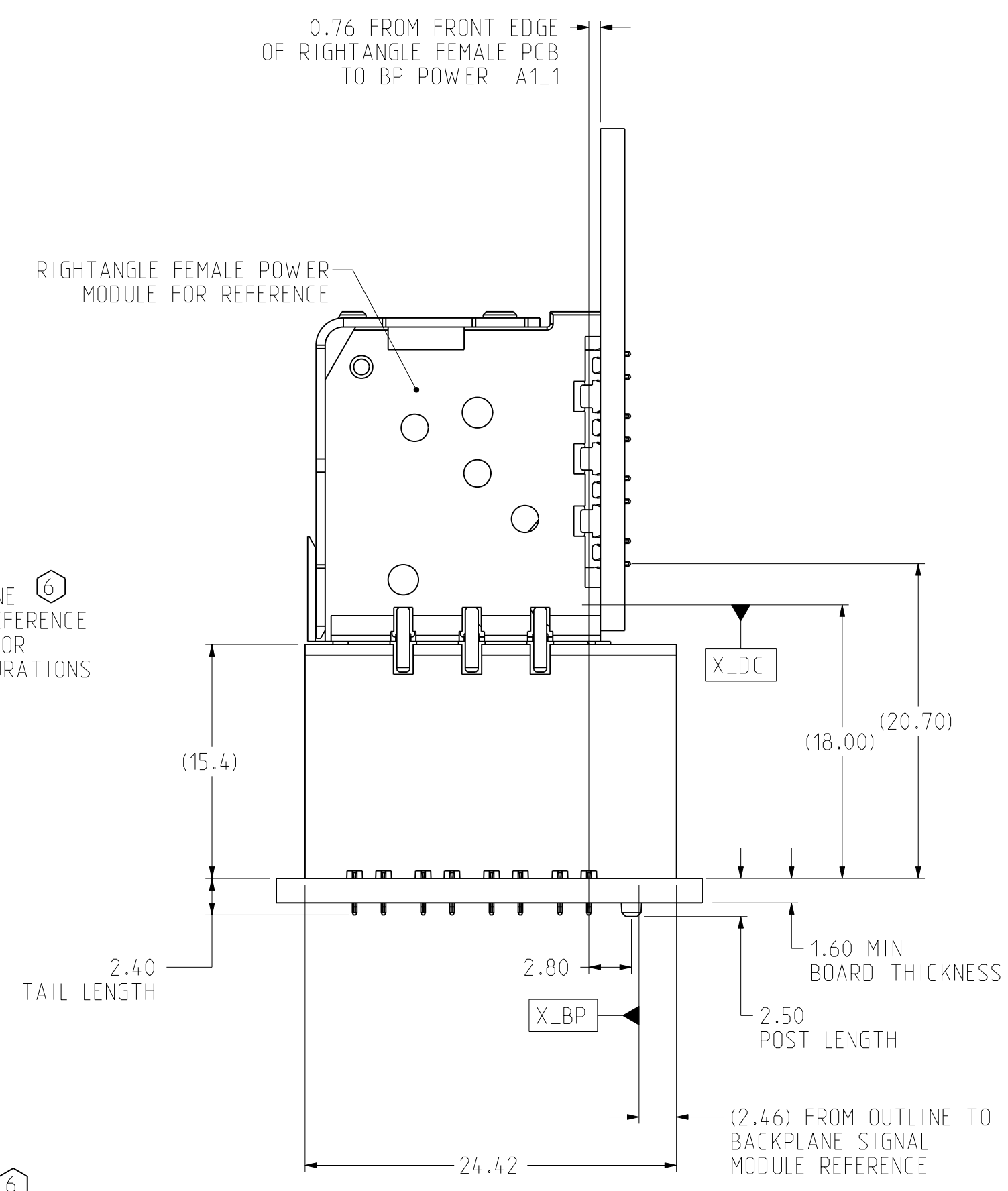
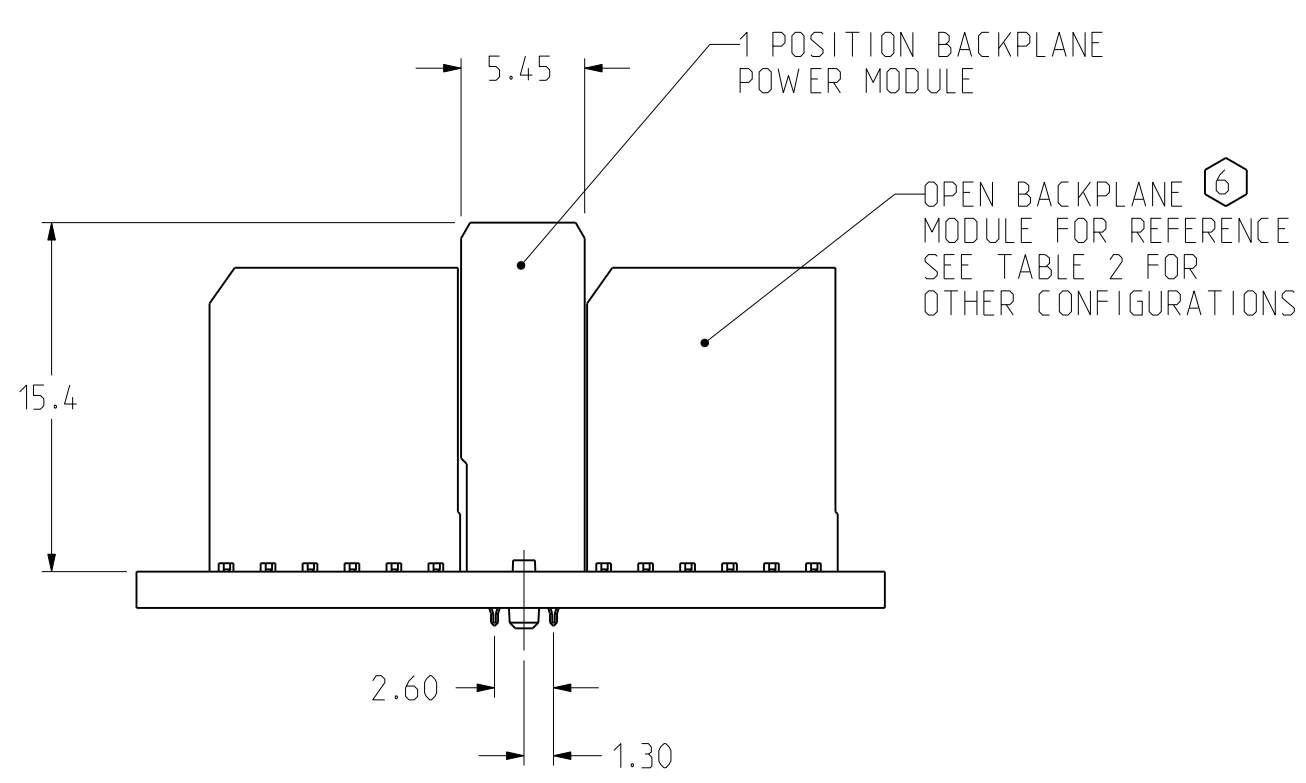
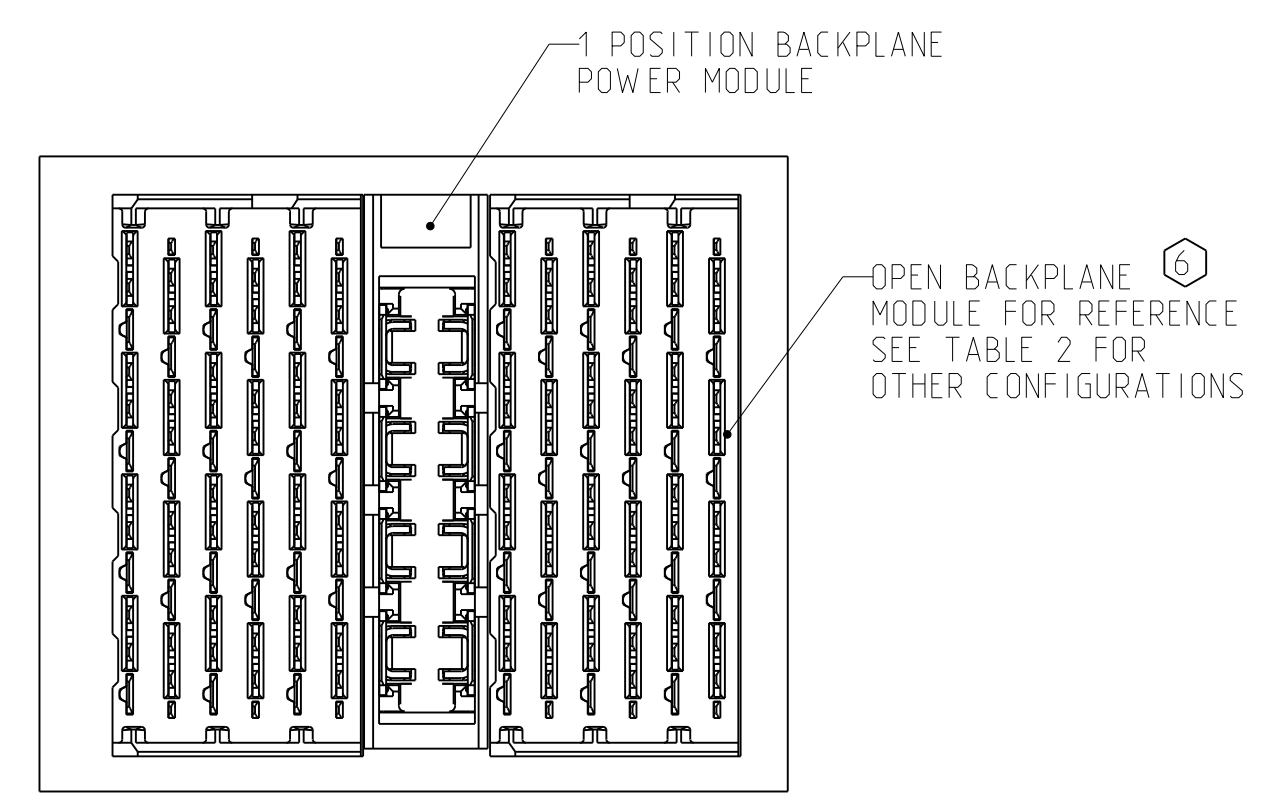


SINGLE/MULTI-UP AND PLATING DESIGNATOR:

1 = 1 POS/768 PLATING	G = 1 POS/803 PLATING
2 = 1 POS/732 PLATING	H = 1 POS/804 PLATING
3 = 2 POS/768 PLATING	J = 1 POS/805 PLATING
5 = 2 POS/732 PLATING	K = 1 POS/806 PLATING
7 = 3 POS/732 PLATING	L = 2 POS/803 PLATING
8 = 3 POS/768 PLATING	M = 2 POS/804 PLATING
A = 1 POS/735 PLATING	N = 2 POS/805 PLATING
B = 1 POS/769 PLATING	P = 2 POS/806 PLATING
C = 2 POS/735 PLATING	R = 3 POS/803 PLATING
D = 2 POS/769 PLATING	T = 3 POS/804 PLATING
E = 3 POS/735 PLATING	U = 3 POS/805 PLATING
F = 3 POS/769 PLATING	V = 3 POS/806 PLATING

TABLE 2

CONFIGURATION	DIM L	DIM R
OPEN	2.59	2.21
LEFT POLARIZED	2.59	9.61
RIGHT POLARIZED	9.99	2.21
LEFT WALL	2.59	4.06
RIGHT WALL	4.44	2.21
TWO WALL	4.44	4.06



RECOMMENDED BACKPLANE POWER 1 POSITION HOLE PATTERN
SCALE 6/1

- NOTES
- FOR EACH ADDITIONAL POWER MODULE, ADD 5.55mm FOR 1 POSITION MODULES, 12.95mm FOR 2 POSITION MODULES, OR 20.35mm FOR 3 POSITION MODULES.
 - NO SURFACE TRACES IN KEEP OUT ZONE.
 - STATED PAD SIZE MAY REQUIRE FILLETING. SEE TB-2149 FOR ROUTING GUIDELINES.
 - REFER TO TB-2150 FOR XCEDE PRODUCT SPECIFICATIONS.
 - WHEN USING ENDCAPS BETWEEN SIGNAL WAFERS AND DC POWER MODULES ADD 1.85mm FOR EACH ENDCAP. VIEW SHOWN WITHOUT ENDCAPS. FOR ENDCAPS THAT ARE USED BETWEEN DC POWER MODULES AND DO NOT PLUG INTO A MULTI-UP BP POWER MODULE, ADD 1.85mm FOR EACH ENDCAP.
 - REFER TO BP CUSTOMER USE DRAWINGS FOR ROW AND COLUMN ASSIGNMENTS.
 - BLADE POSITION A# CONTAINS PINS A#_1 AND A#_2.
 - 2 POSITION AND 3 POSITION MODULES WILL ACCEPT DC ENDCAPS BETWEEN DC POWER MODULES WITH NO ADDITIONAL SPACING REQUIRED.
 - IF THE 5TH DIGIT OF THE PART NUMBER IS N, L, 7 OR 8, INDICATING A CUSTOM PART NUMBER, DIGITS 6 THROUGH 10 ARE NOT SIGNIFICANT, AND DO NOT FOLLOW THE PARADIGM IN THIS TABLE.
 - SEE TABLE 2 FOR OFFSET DIMENSION FOR ADJACENT SIGNAL COLUMN OF ALL CONFIGURATIONS.
 - FOR 7.5MM WIPE LENGTH, PLASTIC WALL ABOVE PIN HEIGHT NOT SUFFICIENT TO PROTECT THE PIN FROM TOUCHING THE ARTICULATED FINGER PROBE AS DESCRIBED IN UL 1977, FIGURE 10.1

TOLERANCES	DESIGN 07/23/2010 A.ASTBURY	<p>Amphenol TCS A Division of Amphenol Corporation 200 Innovative Way, Nashua, NH 03082 603.878.3000</p>
0.0 ±0.25	DRAWN 12/09/2013 HCL-AK	
0.00 ±0.13	CHK 12/09/2013 D.SMITH	
0.000 ± -	APVD 12/09/2013 D.SMITH	
ANGLES ± 3°	UNLESS OTHERWISE SPECIFIED DIMENSIONS ARE IN MM. DECIMAL MARKER IS A PERIOD.	
<p>INTERPRET PER ASME Y14.5M CODE IDENT 31413</p>		<p>CUSTOMER USE DRAWING</p>
<p>PART NO. SEE TABLE 1</p>		REV N/A
<p>DRAWING NO. C-440-5000-500</p>		REV A
<p>PROJ/E TYPE: 01149-CONN4-POWER-2UP-1MM PROJ/E DRAWING: C440-5000-500</p>		1.0 A.O.
SIZE D	SCALE 3/1	SHEET 1 OF 2

C-440-5000-500

SH 1 REV A

