

"Hockey puck" housing - GNA5 - Triac output - GNA5

Selling points of the range

- + Intended for resistive loads
- + Current ratings 10, 25 and 40 A
- + Control status LED
- + Output voltage 24 to 280 V AC
- + "Zero voltage" switching
- + Optimum thermal response
- + Control input 3-32 V DC, 18 to 36 V AC, 90 to 280 V AC
- + Connection via screws or faston connectors



Part number characteristics

84 134 901

Output	Screw
Current (A)	10
Output voltage (V)	24-280 V AC
Input voltage	90-280 V AC
Indicator	No LED
Switching	Zero voltage
Cover	Without cover
Product available	made to order

General characteristics

Operating temperature (°C)	-20 → +80
Storage temperature (°C)	-40 → +100
Input-to-Output isolation voltage (Vrms)	4000
Dielectric strength (V rms)	2500
Input/output capacitance (pF)	8
Frequency (Hz)	47 → 63
Housing material	Polycarbonate UL 94 V
Material baseplate	zamac
Weight (g)	97

Safety standards

Conformity to standards	CE compliant with LVD 73/23/EEC UL/cUL recognized per UL 508
Immunity to electrostatic discharges acc. IEC/EN 61000-4-2	level 2
Immunity to electrostatic fields acc. ENV 50140/204 (IEC 1000-4-3)	level 2
Immunity to rapid transient bursts acc. to IEC 1000-4-4	level 2
Immunity to shock waves according to IEC/EN 61000-4-5	level 2
Immunity to radio frequency in common mode acc. to ENV (CEI 1000-4-6)	level 2
Conducted and radiated noise for industrial environments per CISPR 11	class A

Output characteristics

Voltage range (Vrms max)	24-280	24-280	24-380
Non-rep. peak voltage (Vpeak)	600	600	600
Maximum off-state leakage at Vmax and T = 25 °C (mAeff per phase)	0.15	0.15	0.15
Maximum current (A)	10	25	40
Minimum current (mA)	100	100	100
Max. non-rep.1-cycle surge (T=25°C) (A)	100	250	400
Max. non-rep. 1 s surge (T=25°C) (A)	30	75	130
I ² t (50-60 Hz) (A ² s)	50 - 41	288 - 240	880-600
Voltage drop at Imax (T=25°C) (V)	1.65	1.65	1.20
Static dv/dt (V/μs)	200	200	200
Thermal resistance junction to casing (°C/W)	3	2	1.4

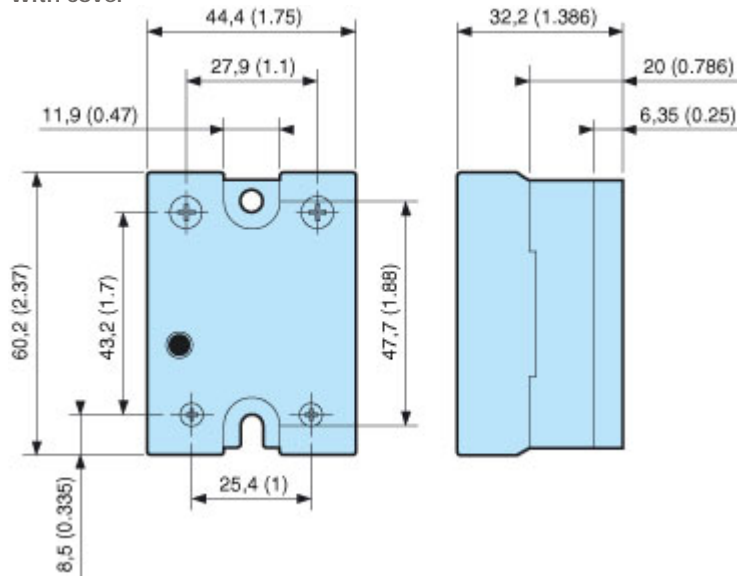
Inputs specifications

Range	3-32 VDC	18-36 VAC/DC	90-280 VAC
Turn-off voltage (V)	1	2	10

Max. controlled current (mA)	14	8	8.5
Response time (close) (ms)	8.33 (60Hz) 10 (50 Hz)	20	20
Response time on closing (ms)	8.33 (60Hz) 10 (50 Hz)	30	30

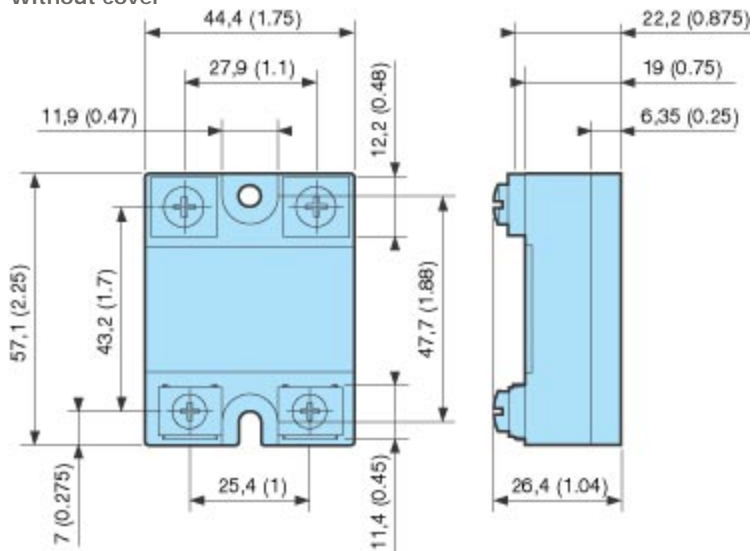
Dimensions

With cover



Zoom

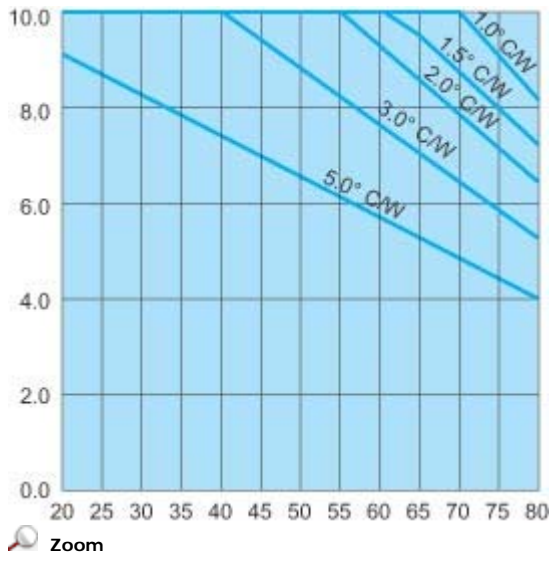
Without cover



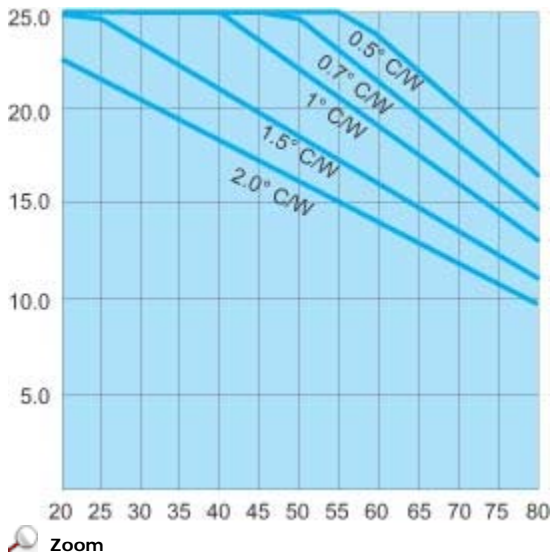
Zoom

Curves

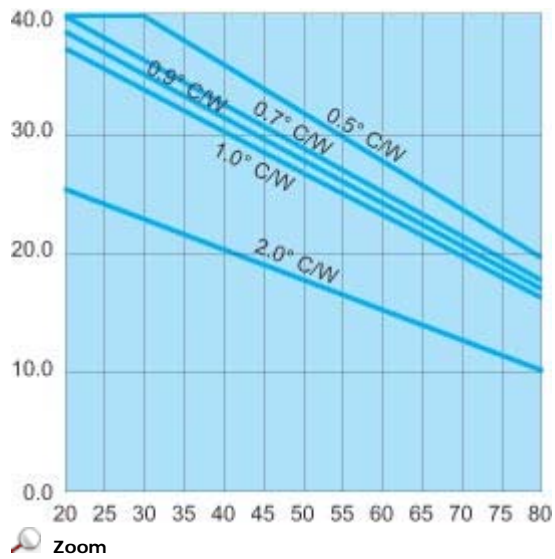
10 A : thermal dissipation curves



25 A : thermal dissipation curves



40 A : thermal dissipation curves



*Précautions d'emploi

Solid State relays are power switching devices that are subject to internal heating, herefore they must be used in conjunction with a heat sink, please refer to section "For more information : Thermal characteristics of Solid State relays"