

**PLEASE CHECK WWW.MOLEX.COM FOR LATEST PART INFORMATION**

**Part Number:** [0307004161](#)  
**Status:** **Active**  
**Overview:** H-DAC 64 Unsealed Connector System  
**Description:** 2.54mm Pitch, H-DAC 64 High Density Automotive Header, Dual Row, Vertical, 16 Circuits, Polarization Option 2, Black, Tray

**Documents:**

[3D Model](#) [Product Specification PS-30700-0001-001 \(PDF\)](#)  
[3D Model \(PDF\)](#) [Packaging Specification PK-30907-260-001 \(PDF\)](#)  
[Drawing \(PDF\)](#) [RoHS Certificate of Compliance \(PDF\)](#)

**General**

Product Family PCB Headers  
Series [30700](#)  
Application Automotive, Power, Wire-to-Board  
Comments Polarization Option 2  
Overview [H-DAC 64 Unsealed Connector System](#)  
Product Name H-DAC 64  
UPC 800756066882

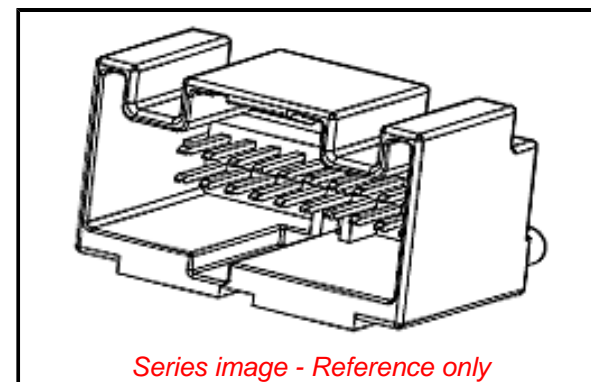
**Physical**

Breakaway No  
Circuits (Loaded) 16  
Circuits (maximum) 16  
Color - Resin Black  
Durability (mating cycles max) 10  
First Mate / Last Break No  
Glow-Wire Capable No  
Guide to Mating Part No  
Keying to Mating Part None  
Lock to Mating Part Yes  
Material - Metal Copper  
Material - Plating Mating Tin  
Material - Plating Termination Nickel  
Material - Resin Modified Polystyrene  
Net Weight 6.250/g  
Number of Rows 2  
Orientation Vertical  
PC Tail Length 3.69mm  
PCB Locator Yes  
PCB Retention Yes  
PCB Thickness - Recommended 1.57mm  
Packaging Type Tray  
Pitch - Mating Interface 2.54mm  
Polarized to Mating Part Yes  
Polarized to PCB Yes  
Shrouded Fully  
Stackable No  
Surface Mount Compatible (SMC) No  
Temperature Range - Operating -40° to +100°C  
Termination Interface: Style Through Hole

**Electrical**

Current - Maximum per Contact 7.0A  
Voltage - Maximum 500V DC

**Solder Process Data**



Series image - Reference only

**EU ELV**

**Compliant**

**EU RoHS**

**Compliant**

**REACH SVHC**

Not Contained Per -  
D(2020)9139-DC (19  
Jan 2021)

**Halogen-Free**

**Status**

**Not Relevant**

For more information, please visit [Contact US](#)

China ROHS

Not Relevant

ELV

Compliant

RoHS Phthalates

Not Contained

**Search Parts in this Series**

[30700 Series](#)

**Mates With**

H-DAC 64 Housing [307001168](#)

Duration at Max. Process Temperature (seconds)	040
Lead-freeProcess Capability	SMC&WAVE
Max. Cycles at Max. Process Temperature	003
Process Temperature max. C	260

**Material Info**

**Reference - Drawing Numbers**

Packaging Specification	PK-30907-260-001
Product Specification	PS-30700-0001-001
Sales Drawing	SD-30700-420

This document was generated on 02/25/2021

**PLEASE CHECK [WWW.MOLEX.COM](http://WWW.MOLEX.COM) FOR LATEST PART INFORMATION**