

● FEATURES

- TIGHT TOLERANCE AND STABILITY OVER TEMPERATURE
- WIDE FREQUENCY RANGE
- EXCELLENT FREQUENCY SOURCE FOR TELECOM APPLICATIONS

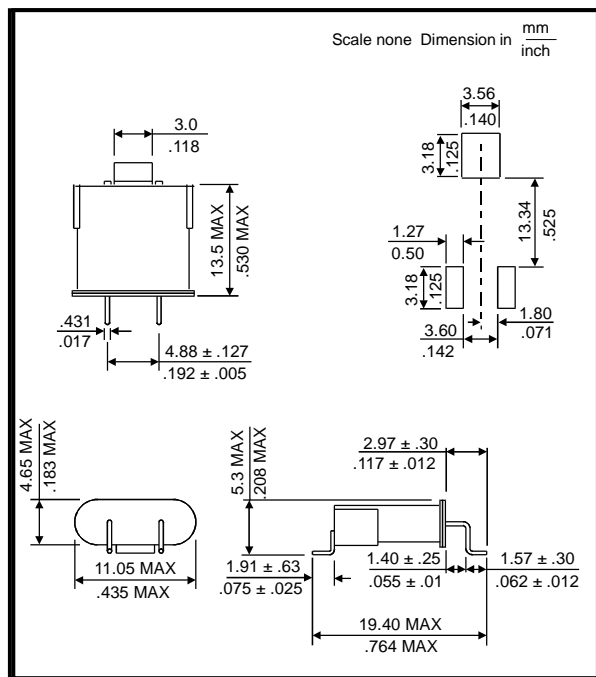
● SPECIFICATIONS

| | | |
|--|--|-------------------------|
| FREQUENCY RANGE | 1.00 MHz TO 360.00 MHz | |
| HOLDER TYPES | A-SMD: HC-49/U-SMD | 1.00 MHz TO 360.00 MHz |
| | C-SMD: UM-1 SMD | 10.00 MHz TO 300.00 MHz |
| FREQUENCY TOLERANCE AT 25° C | ±5 PPM TO ±25 PPM | |
| FREQUENCY STABILITY OVER TEMPERATURE RANGE | ±3 PPM (-10°C TO +60°C) TO ±50 PPM (-55°C TO +125°C) | |
| OPERATING TEMPERATURE RANGE | -55°C TO +125°C MAXIMUM | |
| LOAD CAPACITANCE | 10 pF TO 50 pF OR SERIES | |
| AGING PER YEAR | ±3 PPM MAXIMUM | |
| MODE OF OSCILLATION | FUNDAMENTAL TO NINTH OVERTONE | |
| EQUIVALENT SERIES RESISTANCE (ESR) | SEE PAGE 3 | |
| DRIVE LEVEL | 0.1 mW TYPICAL | |

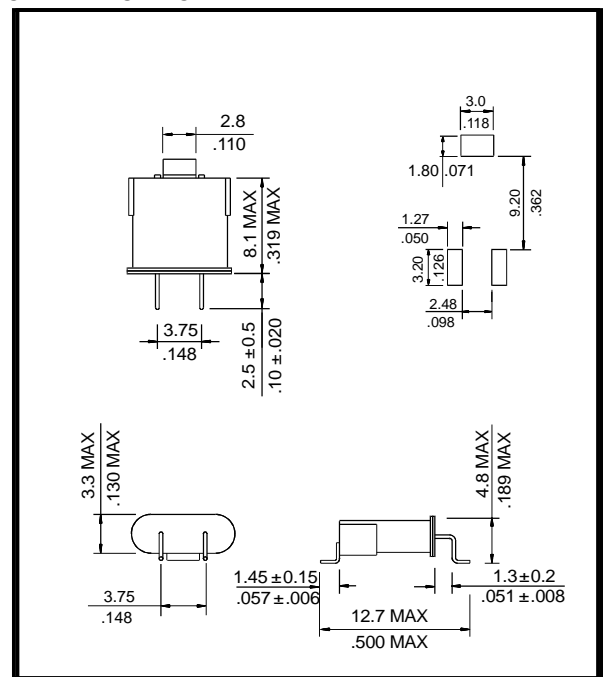


● OUTLINE DRAWINGS

A-SMD TYPE: HC-49/U-SMD



C-SMD TYPE: UM-1-SMD



● PART NUMBERING SYSTEM

| HOLDER TYPE | | FREQUENCY | LOAD CAPACITANCE | MODE | | EXTENDED TEMPERATURE | SURFACE MOUNT |
|-------------|-------------|-----------|---|------|------------------|----------------------|---------------|
| A | HC-49/U-SMD | | | F | FUNDAMENTAL | | |
| C | UM-1-SMD | IN MHZ | 10 TO 32pF FOR PARALLEL S FOR SERIES | 3OT | THIRD OVERTONE | EXT | SMD |
| | | | | 5OT | FIFTH OVERTONE | | |
| | | | | 7OT | SEVENTH OVERTONE | | |
| | | | | 9OT | NINTH OVERTONE | | |

EXAMPLE: A-32.000-20-3OT-SMD
C-100.00-S-5OT-SMD