

# COUPLER DIRECTIONAL 150 WATT

HybriX®



DATA SHEET

PART SERIES: D15D20

SHEET 1 OF 2  
Dwg D15D20

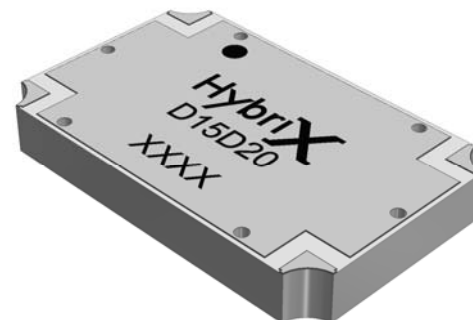
EN 14-1129  
Revision A

## FEATURES

- Low Profile Surface Mount Package
- High Power
- Low Insertion Loss
- High Directivity
- High Reliability

## APPLICATIONS

- Power Amplifiers
- Power Monitors
- Reflectometers
- Signal Distribution Networks
- Antenna Feeds
- Switch Networks



## GENERAL DESCRIPTION

EMC Technology offers high performance directional couplers in a low profile, surface mount package. These couplers are designed for demanding applications where high power, low loss and excellent directivity are required.

## ORDERING INFORMATION

**Part Identifier:** D15D20

## SPECIFICATIONS

### 1.0 ELECTRICAL

Frequency	Coupling	Insertion Loss	VSWR	Directivity	Power Handling
815 to 960 MHz	18.9 ± 0.7 dB	0.3 dB Max	1.30:1 Max	35 dB Min	150 Watt

### 2.0 ENVIRONMENTAL

Operating Temperature: -55°C to +85°C

### 3.0 MARKING

HybriX, Part Number and Pin 1 Indicator

### 4.0 QUALITY ASSURANCE

**Sample Inspect Per MIL-STD-105, Level II, 1.0% AQL.**

Visual and Mechanical Examination for Conformance To Outline Drawing Requirements.  
Measure Amplitude Balance and VSWR

**Test Data Requirements**

No Test Data Required  
Data Retention – 12 months

### 5.0 PACKAGING

Standard: Tape and Reel

*Note: Specifications are subject to change.*

# COUPLER DIRECTIONAL 150 WATT

HybriX®



DATA SHEET

PART SERIES: D15D20

SHEET 2 OF 2  
Dwg D15D20

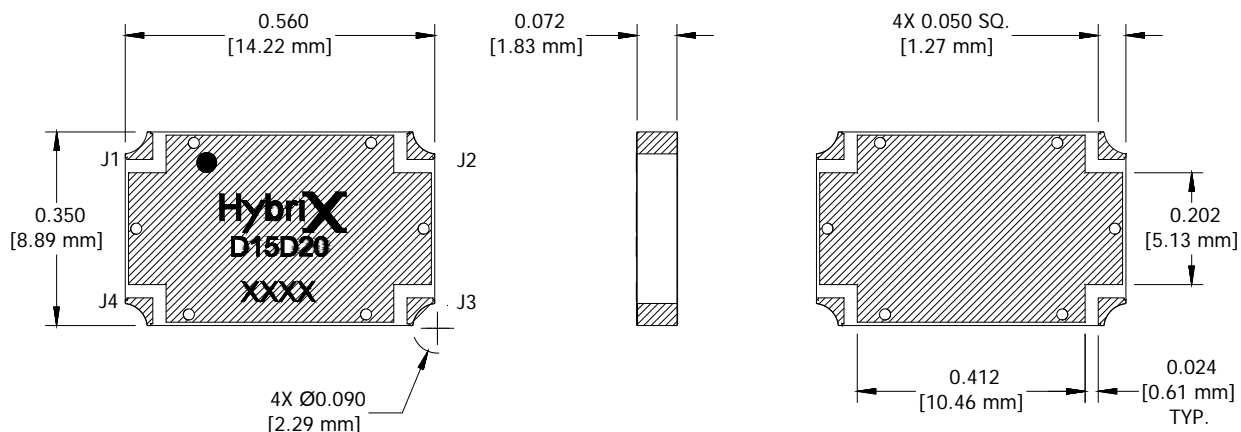
EN 14-1129  
Revision A

## 6.0 MECHANICAL

Substrate:: PTFE  
 Conductor: Copper  
 Plating: Immersion Tin  
 Application Note: AN0030 (General Hybrid and Directional Coupler)

## PIN CONFIGURATION

Port	J1	J2	J3	J4
J1	In	Out	Iso	Coup
J2	Out	In	Coup	Iso
J3	Iso	Coup	In	Out
J4	Coup	Iso	Out	In



Unless Otherwise Specified: TOLERANCE: X.XX = ± 0.01 X.XXX = ± 0.005

Metric dimensions are provided for reference only.

Note: Specifications are subject to change.