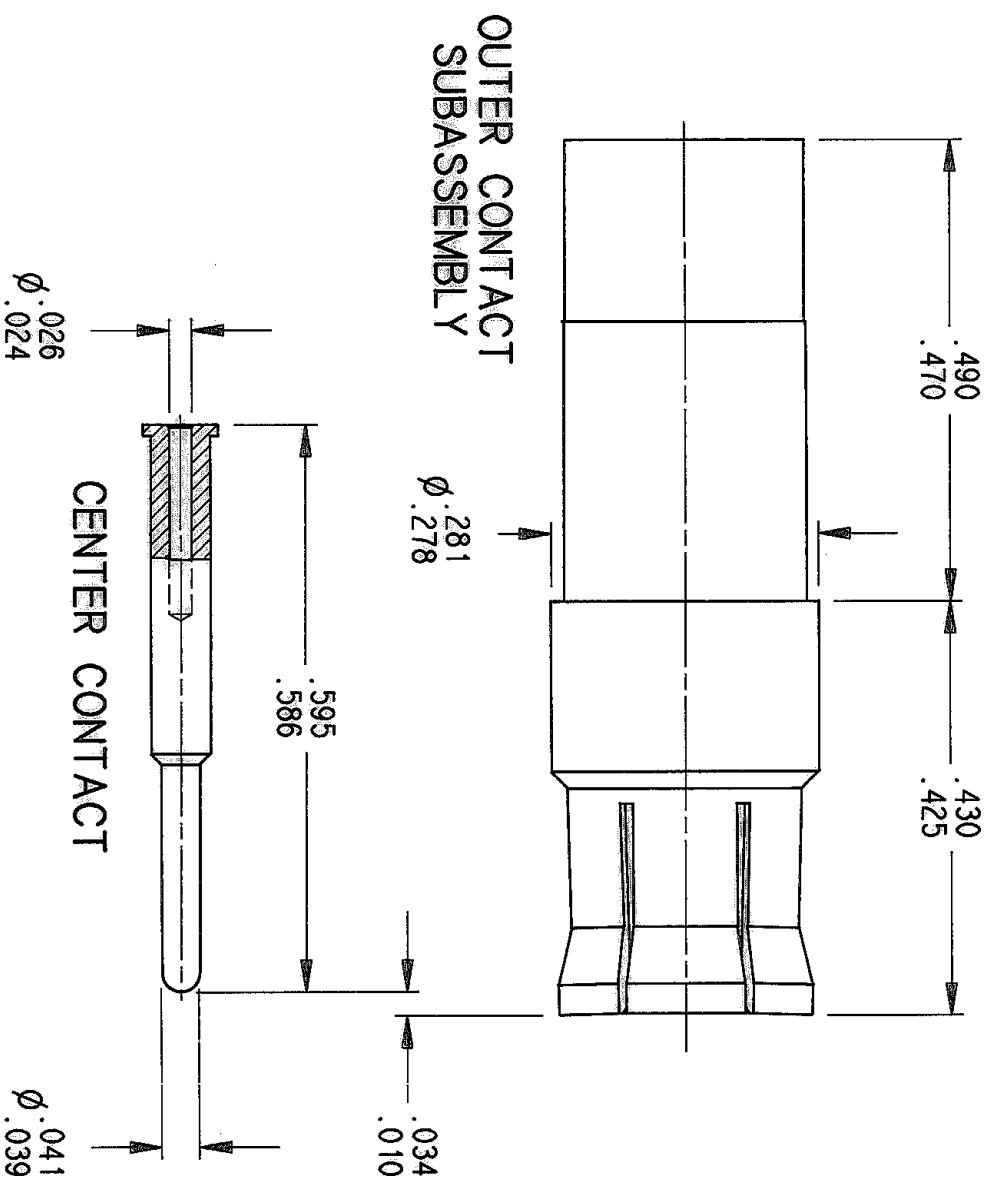


Series
 EPX

 SIZE 5 COAXIAL CRIMP SOCKET CONTACT
 FOR RG180 CABLE

 Issue:
 19 DEC. 94

 Page
 1 / 1


MATERIAL AND FINISH:
 OUTER CONTACT: BERYLLIUM COPPER_GOLD OVER NICKEL PLATED
 CENTER CONTACT AND FERRULE: COPPER ALLOY_GOLD OVER NICKEL PLATED
 DIELECTRIC: PTFE

WIRING INSTRUCTIONS: SEE RP08871

INSERTION/EXTRACTION TOOL: M81969/28-01

CREATION	Issue	Redrawn By CAD	Revisions	Name	Approved
PEN: .					
NOM: L FALETTI					
DATE: 5 NOV. 91	19. 12. 94	REDRAWN BY CAD		JP MACCARI	C. S.
APPR.: JP MACCARI	Issue				

617005A

4112_9311

This information is given as an indication. In the continual goal to improve our products, we reserve the right to make any modifications judged necessary.