

Delphi 11 mm UC Sealed Squib Connectors

► Features

- One-piece terminal, selectively gold-plated, 2 contact points
- Delivered in different wire lengths, wire gauges and types; please consult us for customization
- Sealed connector
- Non-serviceable UC-type locking legs
- No retainer assembly is required, as the connector directly mates to the 11 mm initiator

► Technical Characteristics

Interface	UC
Serviceability	Non-serviceable
EMI filtering device	Ferrite
Locking type	Reversed locking legs
Sealing protection	IPx9K
Termination technology	Crimping
Contact resistance	< 10 mΩ
Dielectric test	750V / DC
Temperature range	-40°C to +85°C
Pull-out force	> 150 N

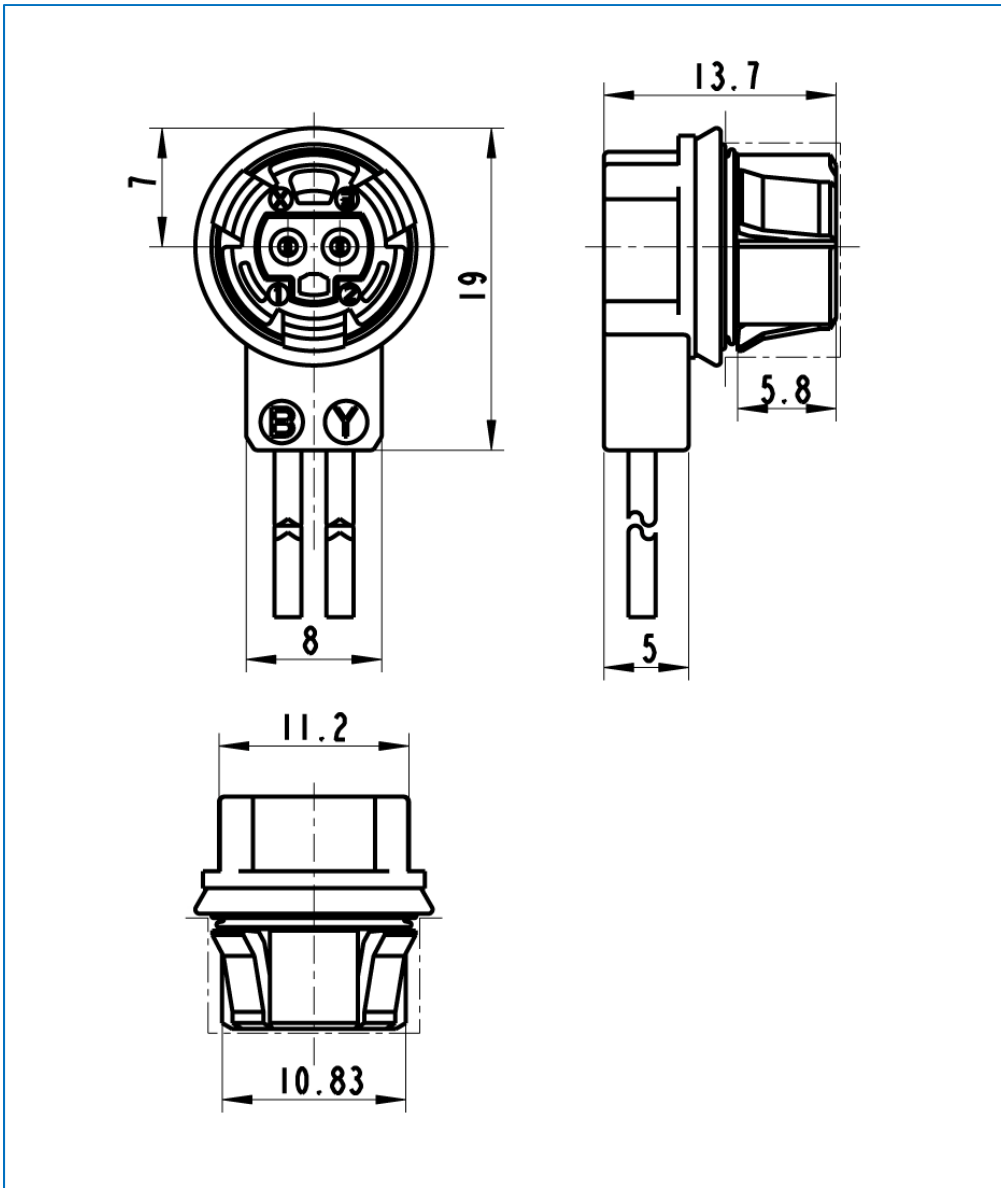


Delphi 11mm UC Sealed Squib Connectors

► Main Part Numbers

Right angle version	
Product code F	FUW 90-1
Part number	61400500

Note: user specifies pigtail wire length, wire gauge and wire type. Contact us for specification assistance.



Dimensions in mm

► **The Delphi Advantage**

Delphi is one of the world's leading automotive suppliers of advanced terminals, connectors, sealing, wiring and cable products. Delphi's deep understanding of various connection system technologies and the company's vast research and development capabilities have enabled continuing innovation.

Delphi is a source for high value solutions and our expertise is built into every product. Delphi has a thorough understanding of markets around the world and a global network of resources. Delphi relies on its global capabilities, consistent processes, and extensive testing to develop and manufacture a comprehensive offering of terminals, connectors, sealing, wiring and cable products. The result is that Delphi provides customers with robust, reliable products and world-class quality.

Connect with us at: www.delphi.com/connectors