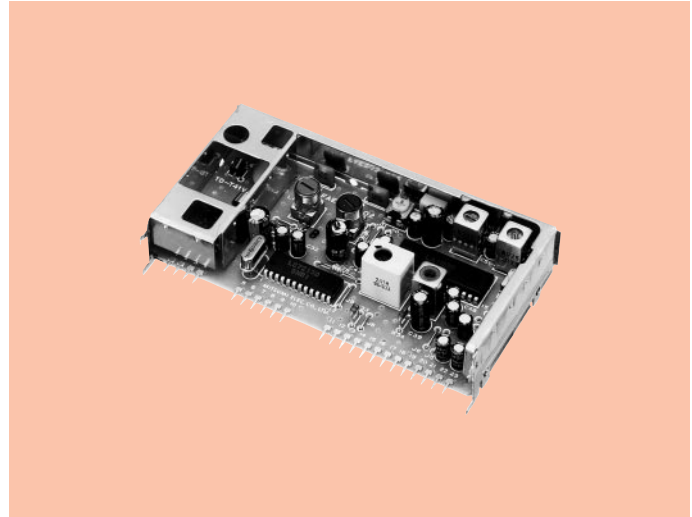


Compact, AM/FM Electronic Tuner for Popular Class Home Stereo FAE203-A01

FEATURES

1. Compact, AM/FM combined tuner.
2. Applicable to home radio receivers and stereo units most suitably.
3. Detection, demodulation, and PLL circuits are provided.

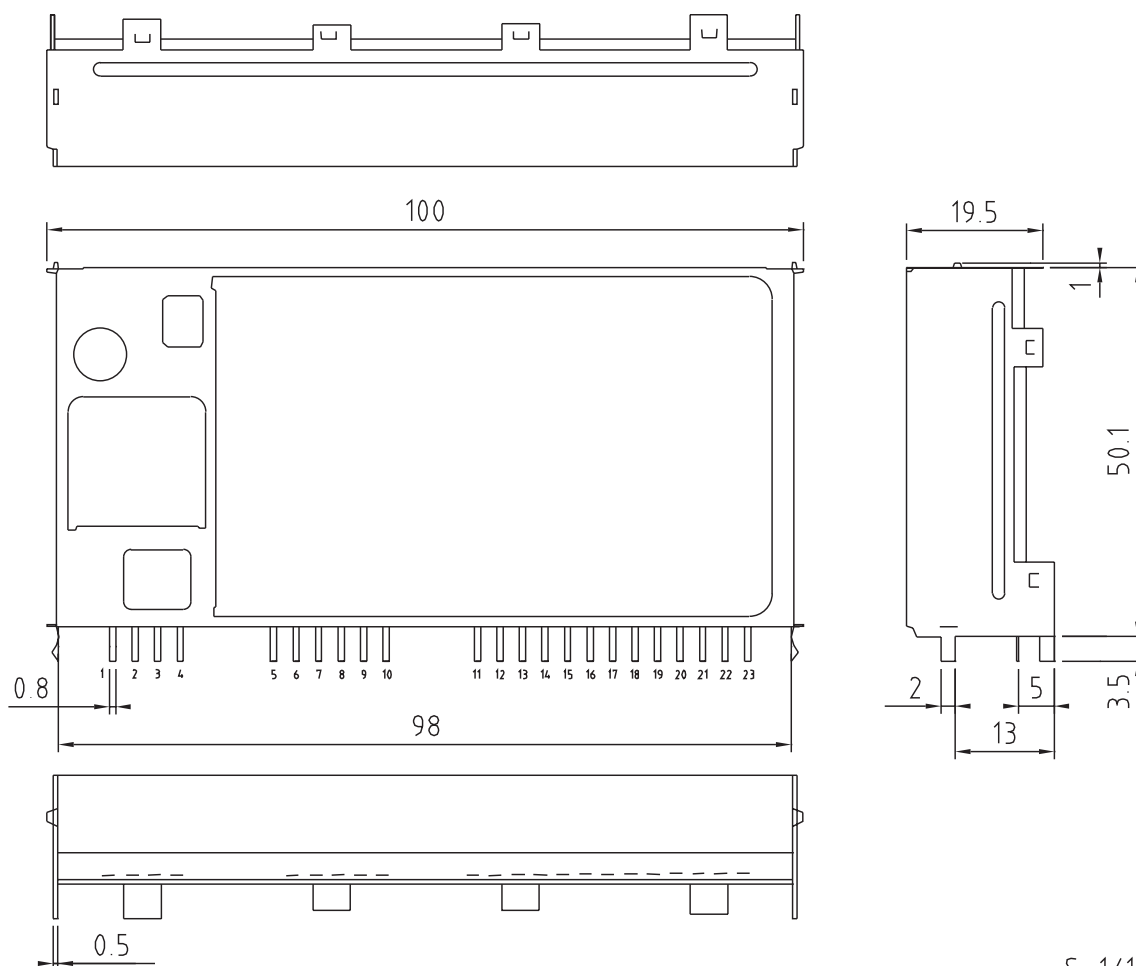


SPECIFICATIONS

Item	FAE203-A01	
	FM	AM
Supply Voltage	12V	12V
Current Consumption	90mA max.	90mA max.
Tuning Range	87.5~108MHz	530~1710kHz
Input Impedance	75Ω unbalanced, 300Ω balanced	——
Center IF	10.7MHz ±50kHz variation possible depending on IC selected	450kHz
Usable Sensitivity	25dBμ max. (12dBμ typ.) ☆S/N 50dB	54dBμ max. (48dBμ typ.) ☆S/N 20dB, at 1050kHz
Image Rejection	30dB min. (mono)	30dB min.
IF Rejection	60dB min. (mono)	45dB min.
S/N Ratio	65dB min. (mono)	45dB min.
Output Level	-1dBm min. 3dBm max.	-14dBm min.
Separation	34dB min. (19kHz LPF ON)	——

*Note Specifications subject to change without notice.

DIMENSIONS



S=1/1

Unit : mm
General Tolerance : ±0.5

EXTERNAL TERMINALS	
1. FM ANT	13. VDD 5V
2. FM ANT	14. AM IF OUT
3. GND	15. Vcc+12V
4. AM ANT	16. DET OUT
5. FM IF OUT	17. L OUT
6. CE	18. GND
7. DI	19. R OUT
8. CL	20. MUTING
9. DO	21. TUNED
10. GND	22. STEREO
11. S2	23. SIGNAL
12. S1	