



Raychem

TE Internal #: 2657273002

Hook Up Wire, Spec 44, 600V Voltage Rating, Yellow with Green Stripe Wire Color, 10AWG Wire Size, Operating Temperature Range -65 – 150 °C

[View on TE.com >](#)

Wire & Cable > Hook Up Wire



Cable Type: **Spec 44**

Voltage Rating: **600 V**

Wire Color: **Yellow with Green Stripe**

Insulation Material: **Modified Radiation Cross-linked PVDF**

Conductor Material: **Tin-Coated Copper**

Features

Product Type Features

Cable Style	Primary
Product Type	Cable
Product Classification	Cable - High Performance - Spec 44, 55 & RCW
Cable Type	Spec 44

Configuration Features

Number of Conductors	1
Number of Strands	37

Electrical Characteristics

Voltage Rating	600 V
----------------	-------

Body Features

Wire Color	Yellow with Green Stripe
Insulation Material	Modified Radiation Cross-linked PVDF
Conductor Material	Tin-Coated Copper

Dimensions

Overall Outside Diameter	3.94 mm[.155 in]
Wire Diameter	3.94 mm[.155 in]



Conductor Diameter	2.81 mm[.111 in]
Strand Size	26 AWG
Wire Size	10 AWG

Usage Conditions

Operating Temperature Range	-65 – 150 °C
-----------------------------	--------------

Other

Wire Source	United Kingdom
-------------	----------------

Product Compliance

[For compliance documentation, visit the product page on TE.com>](#)

EU RoHS Directive 2011/65/EU	Compliant
EU ELV Directive 2000/53/EC	Compliant
China RoHS 2 Directive MIIT Order No 32, 2016	No Restricted Materials Above Threshold
EU REACH Regulation (EC) No. 1907/2006	Current ECHA Candidate List: JUN 2020 (209) Candidate List Declared Against: JAN 2020 (205) Does not contain REACH SVHC
Halogen Content	Out of Scope - excluded from Halogen requirements
Solder Process Capability	Not applicable for solder process capability

Product Compliance Disclaimer

This information is provided based on reasonable inquiry of our suppliers and represents our current actual knowledge based on the information they provided. This information is subject to change. The part numbers that TE has identified as EU RoHS compliant have a maximum concentration of 0.1% by weight in homogenous materials for lead, hexavalent chromium, mercury, PBB, PBDE, DBP, BBP, DEHP, DIBP, and 0.01% for cadmium, or qualify for an exemption to these limits as defined in the Annexes of Directive 2011/65/EU (RoHS2). Finished electrical and electronic equipment products will be CE marked as required by Directive 2011/65/EU. Components may not be CE marked. Additionally, the part numbers that TE has identified as EU ELV compliant have a maximum concentration of 0.1% by weight in homogenous materials for lead, hexavalent chromium, and mercury, and 0.01% for cadmium, or qualify for an exemption to these limits as defined in the Annexes of Directive 2000/53/EC (ELV). Regarding the REACH Regulation, the information TE provides on SVHC in articles for this part number is based on the latest European Chemicals Agency (ECHA) 'Guidance on requirements for substances in articles' posted at this URL: <https://echa.europa.eu/guidance-documents/guidance-on-reach>

Compatible Parts



TE Model / Part # 0662-207-0882
CONT SOC ASSY

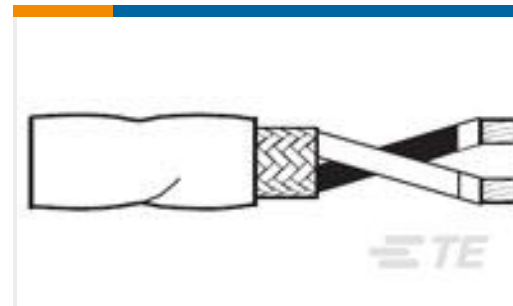
Customers Also Bought



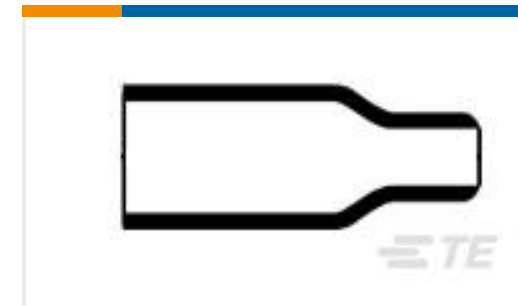
TE Model / Part #695362-000
W-063-07



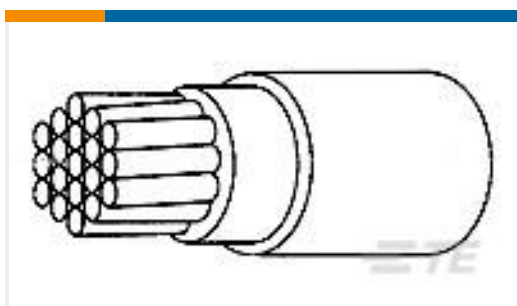
TE Model / Part #4714093001
99M0121-20-2/9



TE Model / Part #5459353001
99M1121-12-2/6-0



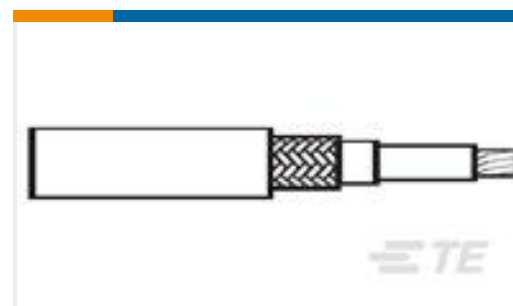
TE Model / Part #716945-000
202A163-100-0



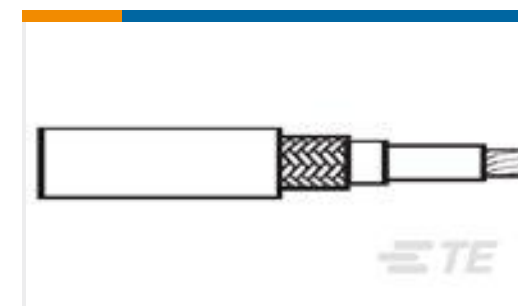
TE Model / Part #0394713001
99M0111-18-5



TE Model / Part #A101463001
99M0131-24-2/5/9



TE Model / Part #6885913001
99M1111-20-2L-0



TE Model / Part #1808633001
99M1111-24-2L-0



TE Model / Part #YDTS26F13-98PBV001
PLUG ASSY



TE Model / Part #3595790001
TRSA-1017/E/1/7

Documents

Product Drawings

[44A0811-10-45](#)

English

Datasheets & Catalog Pages

[1654025_Sec9_SPEC44](#)

English

[Raychem Wire and Cable Quick Reference Guide](#)

English

44A0811-10-45

Hook Up Wire, Spec 44, 600V Voltage Rating, Yellow with Green Stripe Wire Color,
10AWG Wire Size, Operating Temperature Range -65 – 150 °C

