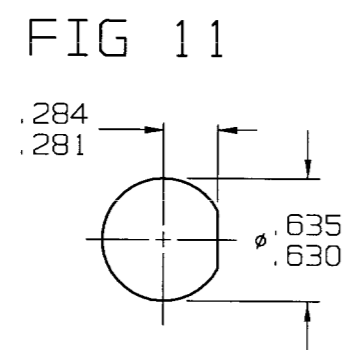
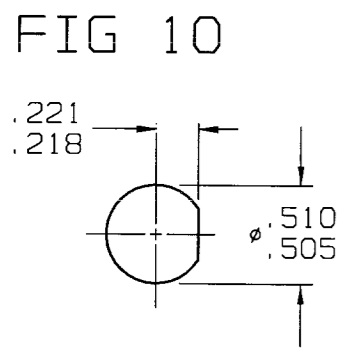
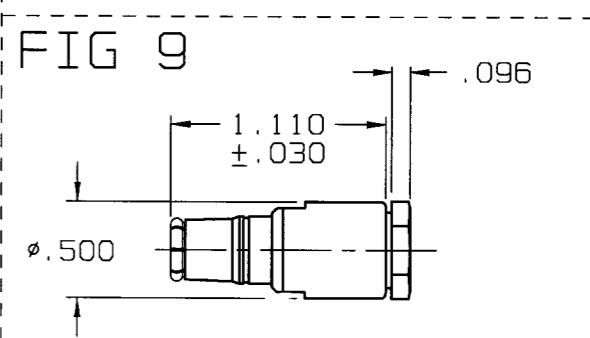
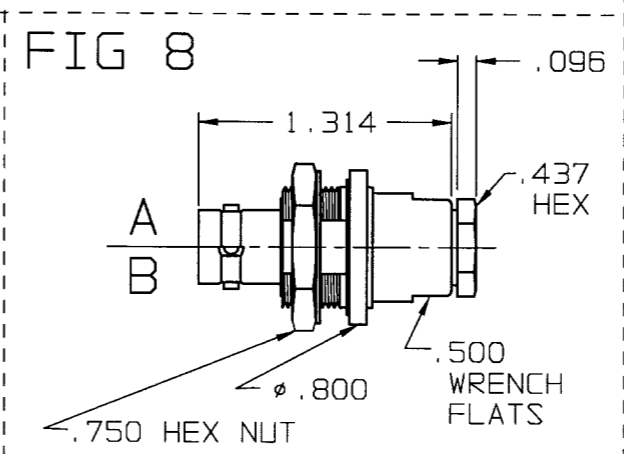
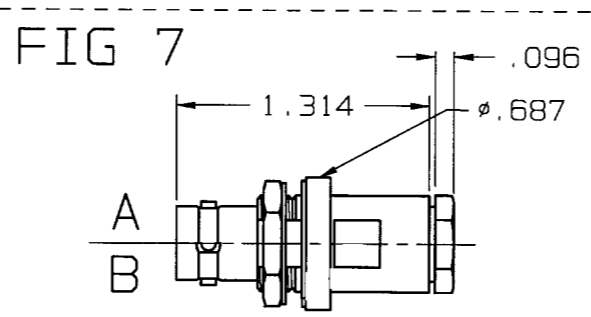
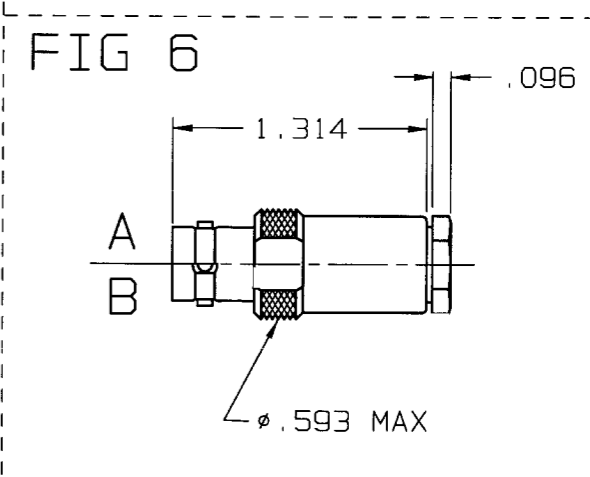
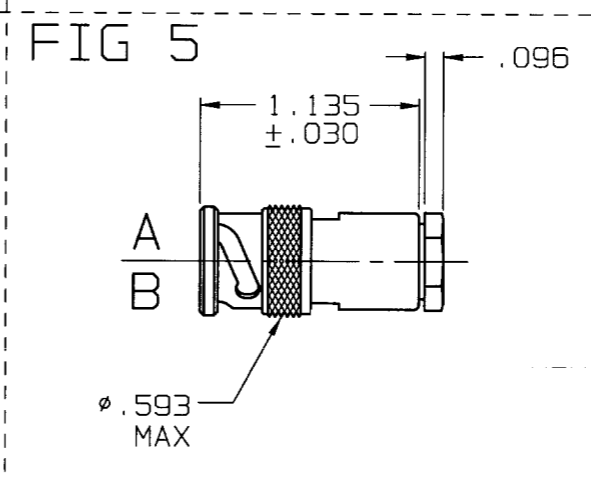
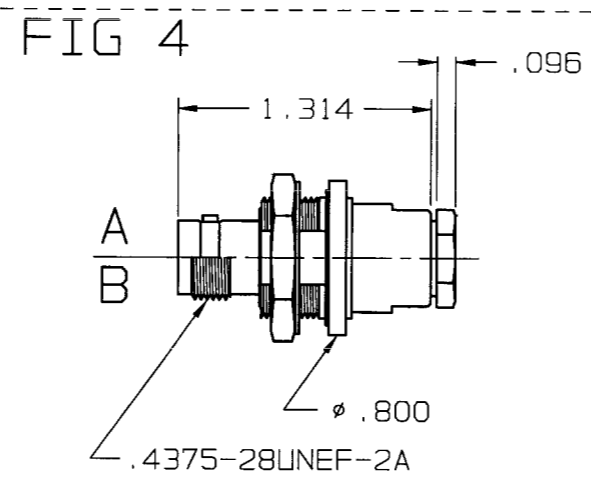
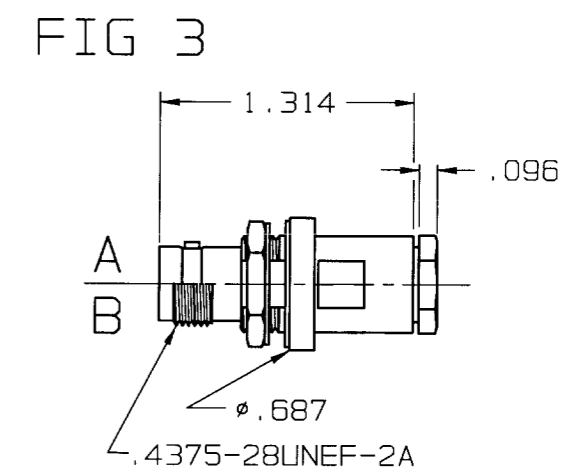
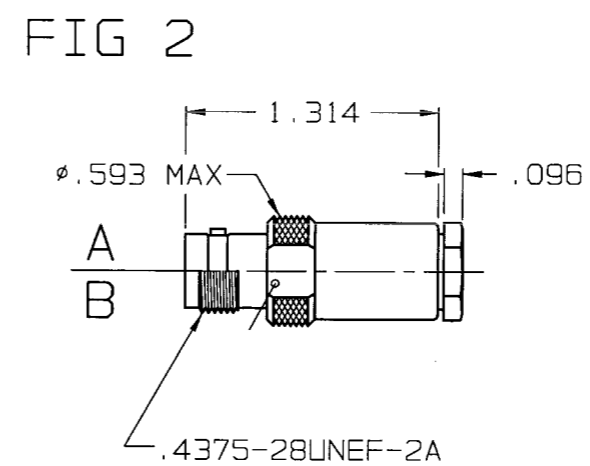
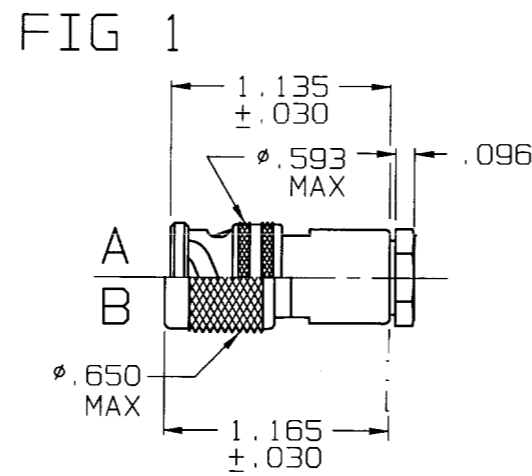


DASH NO	CONNECTOR TYPE	MATERIAL \triangle	ASSEMBLE PER	FIG	MTG HOLE FIG
-1	PL75	310-0002-33	SEE SHEET 3	1A	—
-2	CJ70	3-0043-33		2A	—
-3	BJ79	3-0018-33		3A	10
-4	BJ74	3-0055-33		4A	11
-5	PL375	315-0011-33		1B	—
-6	CJ370	3-0066-33		2B	—
-7	BJ379	3-0074-33		3B	10
-8	BJ374	3-0073-33		4B	11
-9	PL74	310-0025-33		5A	—
-10	CJ70TL	3-0217-33		6A	—
-11	BJ79TL	3-0112-33		7A	10
-12	BJ74TL	3-0105-33		8A	11
-13	PL75FL	310-0006-33		5B	—
-14	CJ70FL	3-0101-33		6B	—
-15	BJ79FL	3-0052-33		7B	10
-16	BJ74FL	3-0099-33		8B	11
-17	PL73	310-0038-33		9	—

DATA CONTAINED IN THIS DOCUMENT IS PROPRIETARY TO TROMPETER ELECTRONICS INC. AND SHALL NOT BE DISCLOSED, COPIED OR USED FOR PROCUREMENT OR MANUFACTURE WITHOUT EXPRESS WRITTEN PERMISSION OF TROMPETER ELECTRONICS INC.

REVISIONS		305-0774	9H 1
REV	DESCRIPTION	DATE	APPROVED
B	REVISED PER ECO #13789	1/23/01	



RECOMMENDED PANEL CUTOUT
MAX PNL THK .109

RECOMMENDED PANEL CUTOUT
MAX PNL THK .140

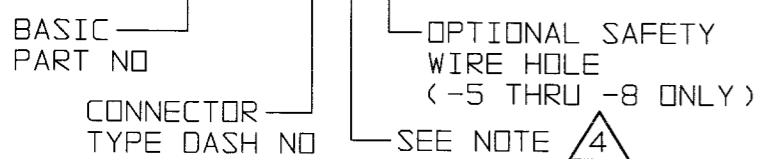
\triangle 4

POLARIZATION LETTER I.A.W. MATERIAL CALL-OUT, NONE REQUIRED FOR STANDARD

\triangle 3

EXAMPLE OF COMPLETE P/N:

305-0774 -1 T S



\triangle 2

REPLACE 8-1590-33 CONE WITH -101 CONE & 8-2740-33 CONE INSERT WITH 8-1600-2 NOTCHED INSERT

- CONCENTRIC TWINAX/TRIAX, 2-LUG, 3-LUG, 4-LUG AND THREADED CABLE PLUGS/RECEPTACLES, INSULATED & NONINSULATED BULKHEAD MOUNT RECEPTACLES & PUSH-ON CABLE PLUG FOR RG180 WITH F.O.S.

INTERPRET DRAWING PER MIL-STD-100 DIMENSIONS ARE IN INCHES AND INCLUDE FINISH THICKNESS UNLESS OTHERWISE SPECIFIED		TOL: UNLESS SPECIFIED .XX .XXX ±.005 .XXXX ANGLES MATERIAL:			
DRAWN: DKC		DATE: 1-8-01			
CHECKED:		DATE: 1-22-01		FINISH: TFS-1A (NICKEL)	
APPROVED:		DATE: 1-22-01		SIZE: B	
CAD FILE NO. 3050774B1		DO NOT SCALE DWG		CAGE CODE: 14949	
NEXT ASSY		SCALE: NONE		DRAWING NO. 305-0774	
		DATE: 2-15-91		REV. B	
		SHEET 1C			