

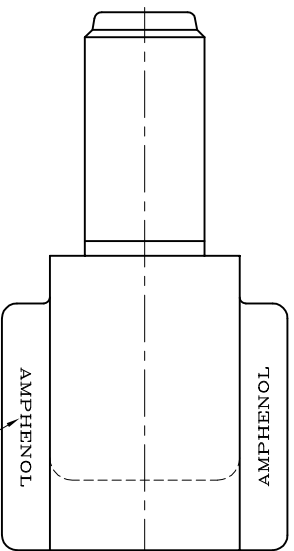
ISS	ZONE	DESCRIPTION \ PER REQUEST \ DATE
B	A-1	NO.1 WAS CHANGED \ RD - DM89010301B \ 01-03-00'

REVISIONS

F

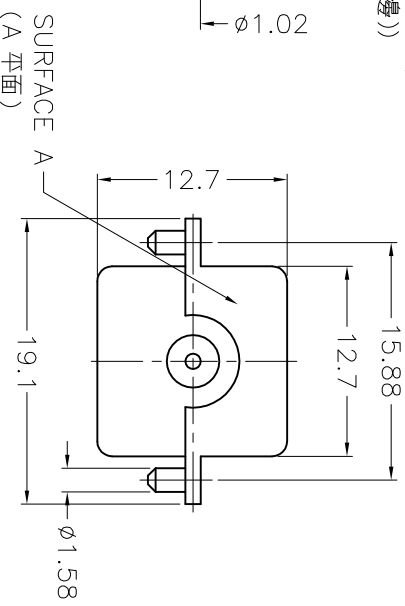
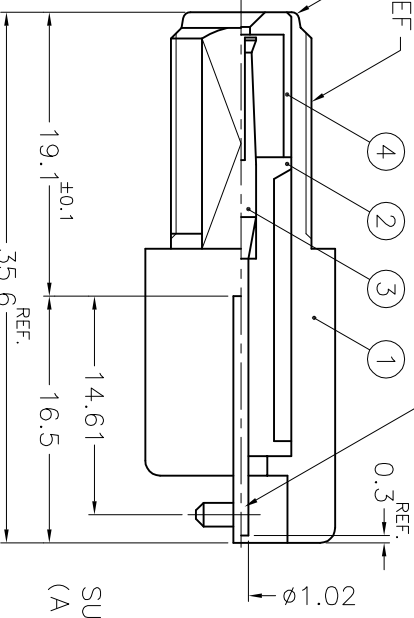
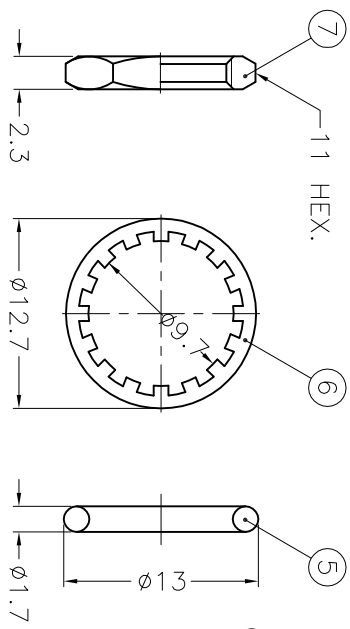
REMARK: 1. INITIAL INSERTION SHALL NOT EXCEED 5 LBS. WHEN MEASURED WITH A GAUGE EQUIPPED WITH A PIN 1.02 ±0.02 IN DIAMETER

2. THE CONTACT PIN SHALL RETAIN A 0.75 ±0.01 DIAMETER 30 g WEIGHED PIN AFTER FIRST BEING SIZED 20 TIMES WITH THE SAME PIN (以φ1.02 針測試推力不可大於5 LBS) (以φ0.75 針拉拔 20次後 用同尺寸的針可以吊重30 g)



PIN LENGTH NOT TO EXCEED PAST "SURFACE A" (中心針長度不可超過A平面)

RAISED TEXT (BOTH SIDES) (浮字(兩邊))



NOTES: FINISH (PLATING THICKNESS IN MICRO-INCHES)

1. BRASS PER QQ-B-626
2. BRASS PER QQ-B-613
3. PHOSPHOR BRONZE PER QQ-B-750
4. NICKEL PL. 100 MIN. THICK OVER COPPER STRIKE
5. TIN-LEAD (90/10) PL. 180 MIN. THICK OVER COPPER PL. 100 MIN. THICK
6. ZINC DIECAST

B

NO.	DESCRIPTION	MATERIAL	FINISH	Q'TY	DRAWING NO.
7	HEX NUT	NOTE 1	NOTE 4	1	HNI11-3/8-32X23
6	LOCK WASHER	NOTE 2	NOTE 4	1	LW-127/97X05
5	GASKET	SILICONE	RED	1	GS-13/96X017
4	INSULATOR	LCP	NATURAL	1	531-40035-M02
3	CONTACT PIN	NOTE 3	NOTE 5	1	531-40035-M02
2	INSULATOR	LCP	NATURAL	1	531-40035-M02
1	BODY	NOTE 6	NOTE 5	1	531-40035-M02

AMPHENOL \ AEAL

DIMENSIONS ARE IN MILLIMETERS UNLESS OTHERWISE SPECIFIED TOLERANCES

0.5-6 = ±0.2
6-30 = ±0.4
30-120 = ±0.6
120-315 = ±1
315-1000 = ±1.6
1000-2000 = ±2.4

PART NO. 531-40035-M02

TITLE
F FEMALE RECEPTACLE CONNECTOR
TAINAN TAIWAN

Amphenol - Kai Jack

APPROVED DATE 01-04-00'
CHECKED DATE 01-04-00'
DRAWN DATE 01-04-00'

DRAWING NO. 531-40035-M02-TLCPT
FILE NO. F:\DWG\APL\AEAL\531\40035\M02\TLCPT

A

1 2 3 4 5 6 7 8

A

B

C

D

E

F