

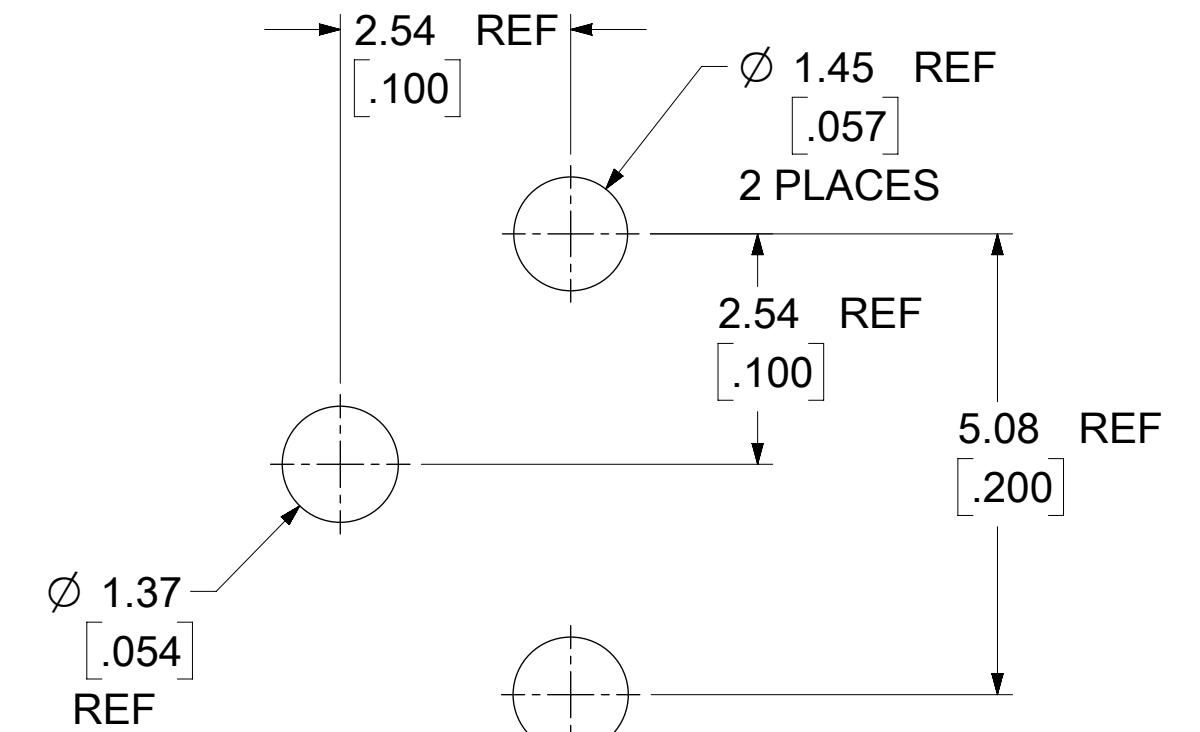
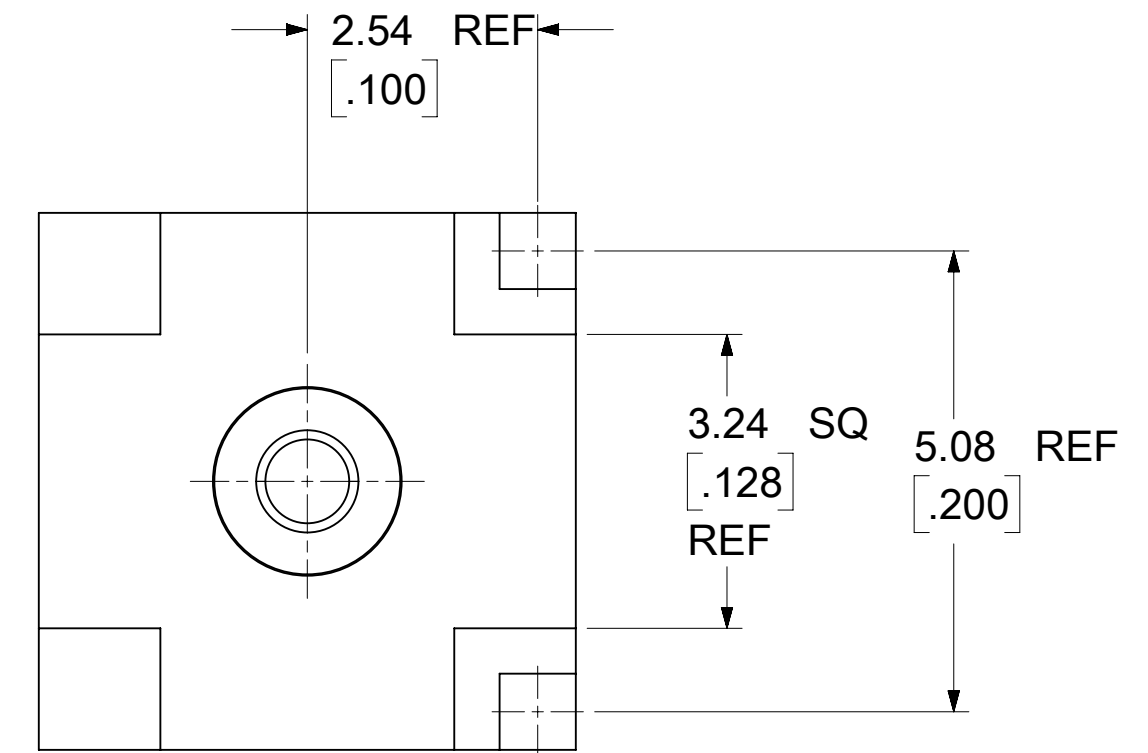
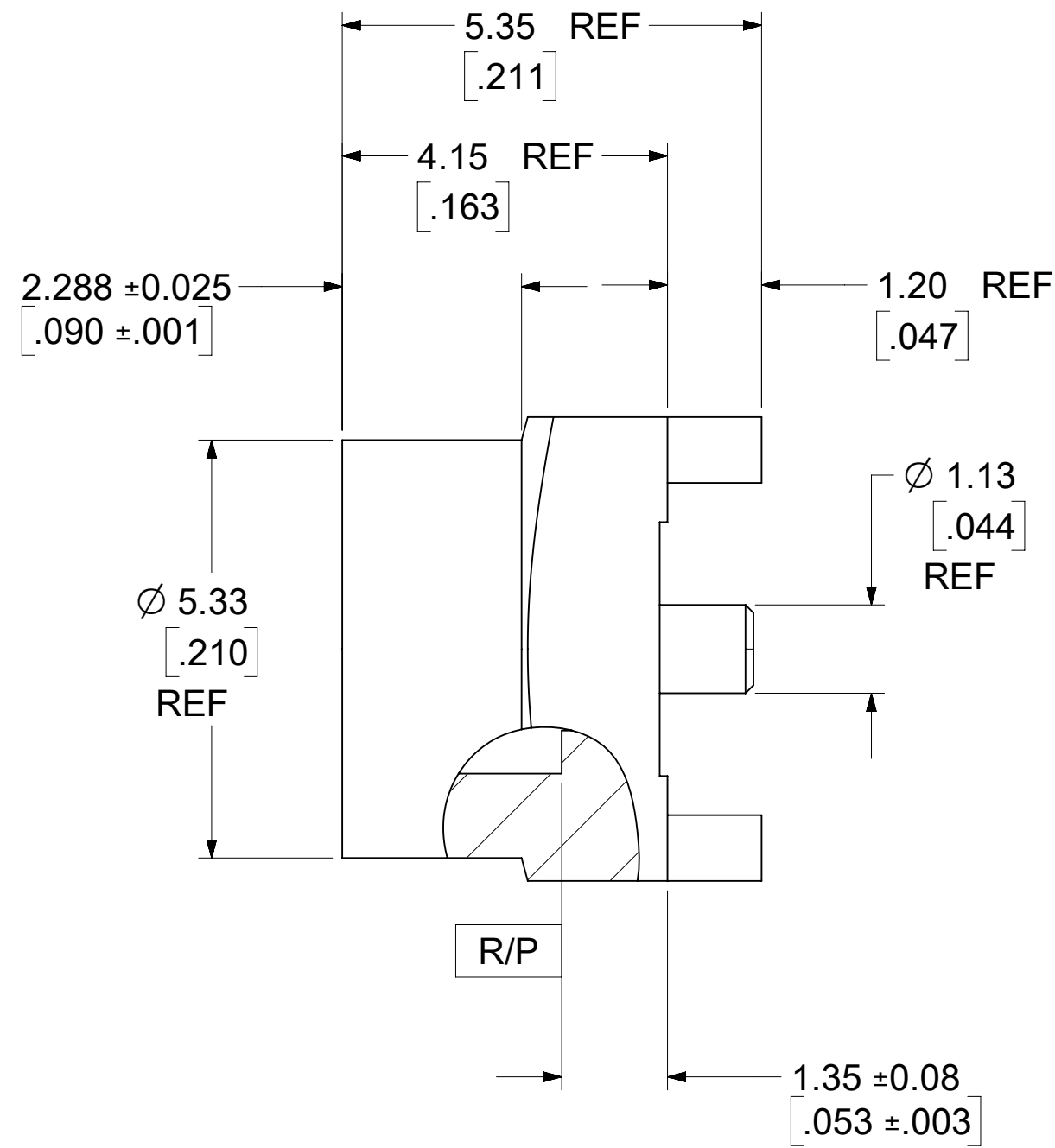
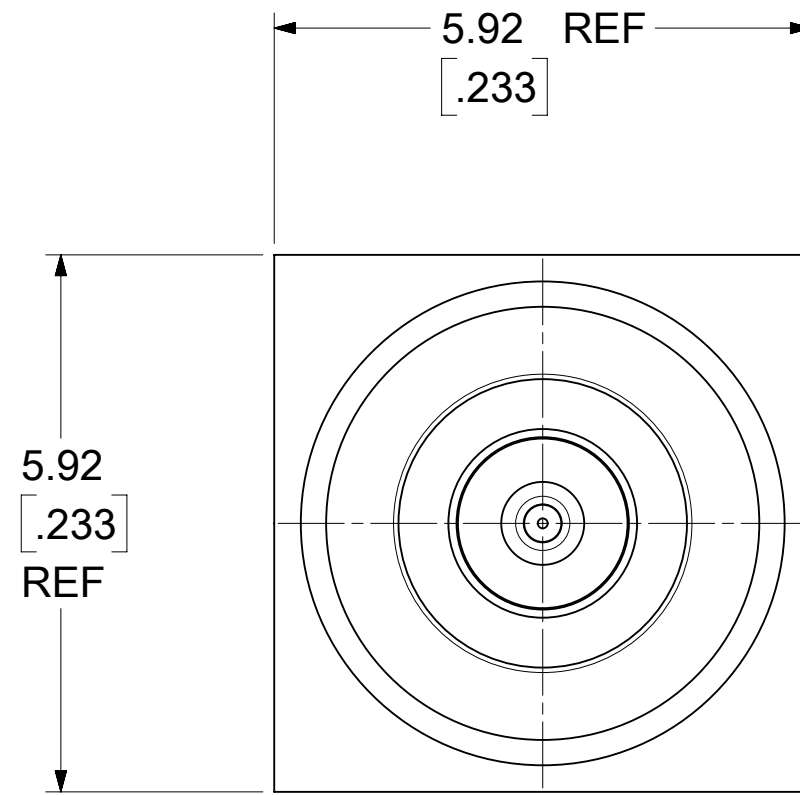
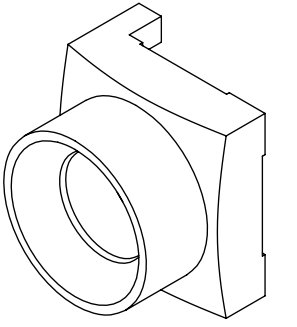
MATERIALS AND FINISHES:

BODY, CONTACT: BRASS
 PLATED: GOLD (30μ-in MIN)
 OVER NICKEL (100μ-in MIN)

INSULATOR: PTFE

KAPTON: POLYIMIDE
 COLOR: BLACK

SEE SHEET 2 & 3 FOR
 TAPE AND REEL INSTRUCTION



RECOMMENDED PCB LAYOUT

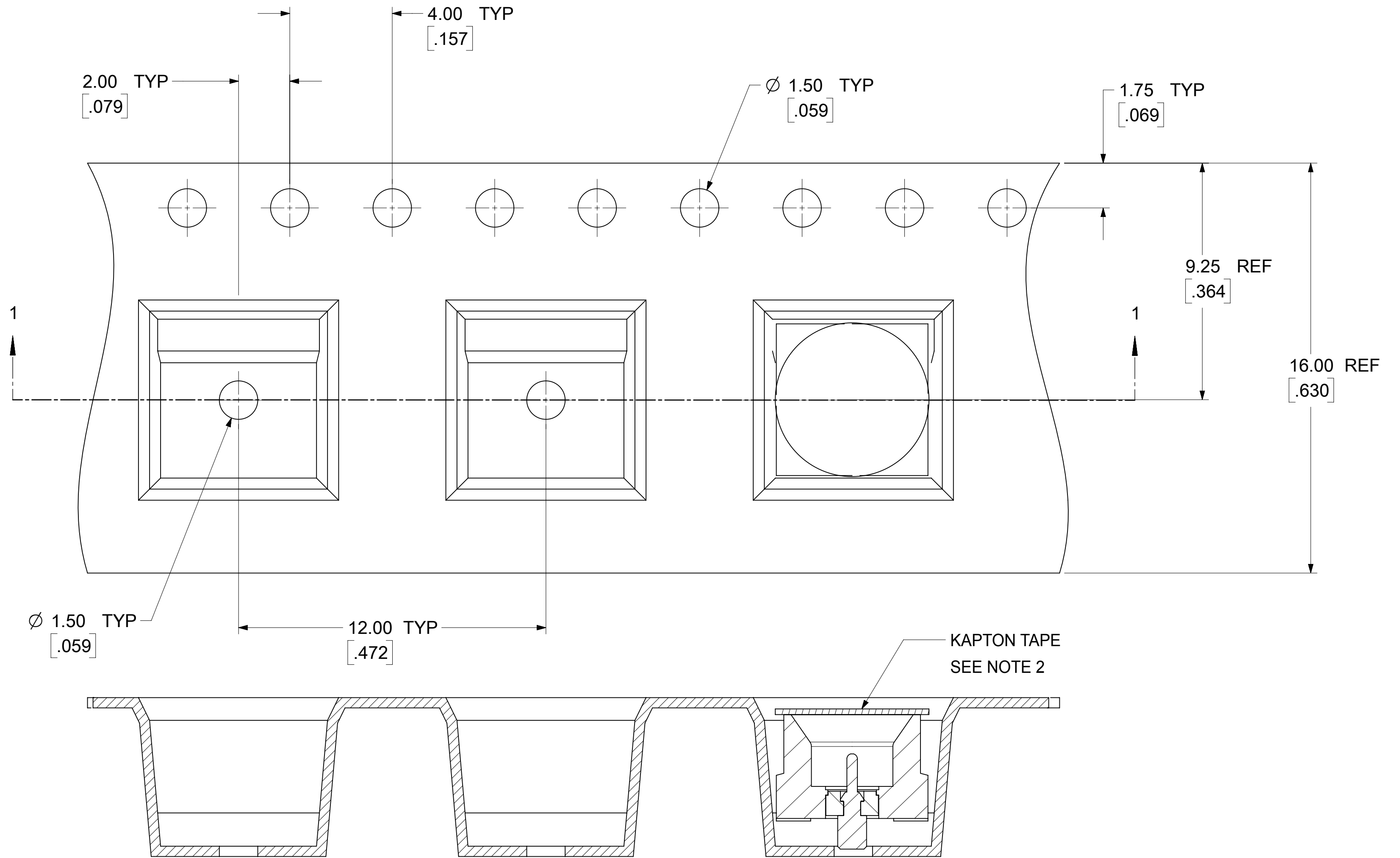
73415-4801	ONE PER BAG	895420470
73415-4800	TAPE & REEL	-----
PART #	PACKAGING	PACKING SPEC

PS-89675-3320	PRODUCT SPECIFICATION
MIL-STD-348B, FIG. 326.5	INTERFACE
SPECIFICATION	DESCRIPTION

FUNCTIONAL SYMBOLS $\nabla_A = 0$ $\nabla_C = 0$ $\nabla_P = 0$	THIS DRAWING CONTAINS INFORMATION THAT IS PROPRIETARY TO MOLEX ELECTRONIC TECHNOLOGIES, LLC AND SHOULD NOT BE USED WITHOUT WRITTEN PERMISSION	CURRENT REV DESC:				
	DIMENSION UNITS	SCALE	EWR # 15321-E ADDED -4801 PART NO			
	GENERAL TOLERANCES (UNLESS SPECIFIED)	MM/INCH	NTS	EC NO: 718007		SMP PLUG 50 OHM PCB SMP-P/PCB
	ANGULAR TOL ± °			DRWN: JSU18	2022/08/11	
DIVISIONAL SYMBOLS	4 PLACES ±		CHK'D: YCHENG	2022/08/24	PRODUCT CUSTOMER DRAWING DOCUMENT NUMBER: SD-73415-480 DOC TYPE: PSD DOC PART: 001 REVISION: F2	
3 PLACES ±		APPR: YCHENG	2022/08/24			
2 PLACES ± 0.25		INITIAL REVISION:	DRWN: YCHENG		MATERIAL NUMBER: 73415 CUSTOMER: GENERAL MARKET SHEET NUMBER: 1 OF 3	
1 PLACE ±		DRWN: YCHENG	2005/01/05			
0 PLACES ±		APPR: MHUANG	2005/01/07			
DRAFT WHERE APPLICABLE MUST REMAIN WITHIN DIMENSIONS	THIRD ANGLE PROJECTION	DRAWING	SERIES			
		C-SIZE	73415			

NOTE:

1. 10 PITCHES CUMULATIVE TOLERANCE ±.008(0.20)
2. KAPTON TAPE OR EQUIVALENT MUST BE PLACED ON TOP OF THE CONNECTOR ASSEMBLY FOR PICK AND PLACE.



Section 1-1

THIS DRAWING CONTAINS INFORMATION THAT IS PROPRIETARY TO MOLEX ELECTRONIC TECHNOLOGIES, LLC AND SHOULD NOT BE USED WITHOUT WRITTEN PERMISSION									
FUNCTIONAL SYMBOLS		DIMENSION UNITS		SCALE		CURRENT REV DESC:			
FA = 0		MM/INCH		NTS		EWR # 15321-E ADDED -4801 PART NO			
FC = 0		GENERAL TOLERANCES (UNLESS SPECIFIED)				EC NO: 718007			
FP = 0		ANGULAR TOL ± °				DRWN: JSU18 2022/08/11			
DIVISIONAL SYMBOLS		4 PLACES ±		3 PLACES ±		CHK'D: YCHENG 2022/08/24			
		2 PLACES ± 0.25		1 PLACE ±		APPR: YCHENG 2022/08/24			
		0 PLACES ±		DRAFT WHERE APPLICABLE MUST REMAIN WITHIN DIMENSIONS		INITIAL REVISION: DRWN: YCHENG 2005/01/05 APPR: MHUANG 2005/01/07			
		THIRD ANGLE PROJECTION		DRAWING		SERIES		DOCUMENT NUMBER	
		C-SIZE		73415		SD-73415-480		DOC TYPE DOC PART REVISION	
		GENERAL MARKET		2 OF 3		PSD 001 F2		MATERIAL NUMBER CUSTOMER SHEET NUMBER	

molex

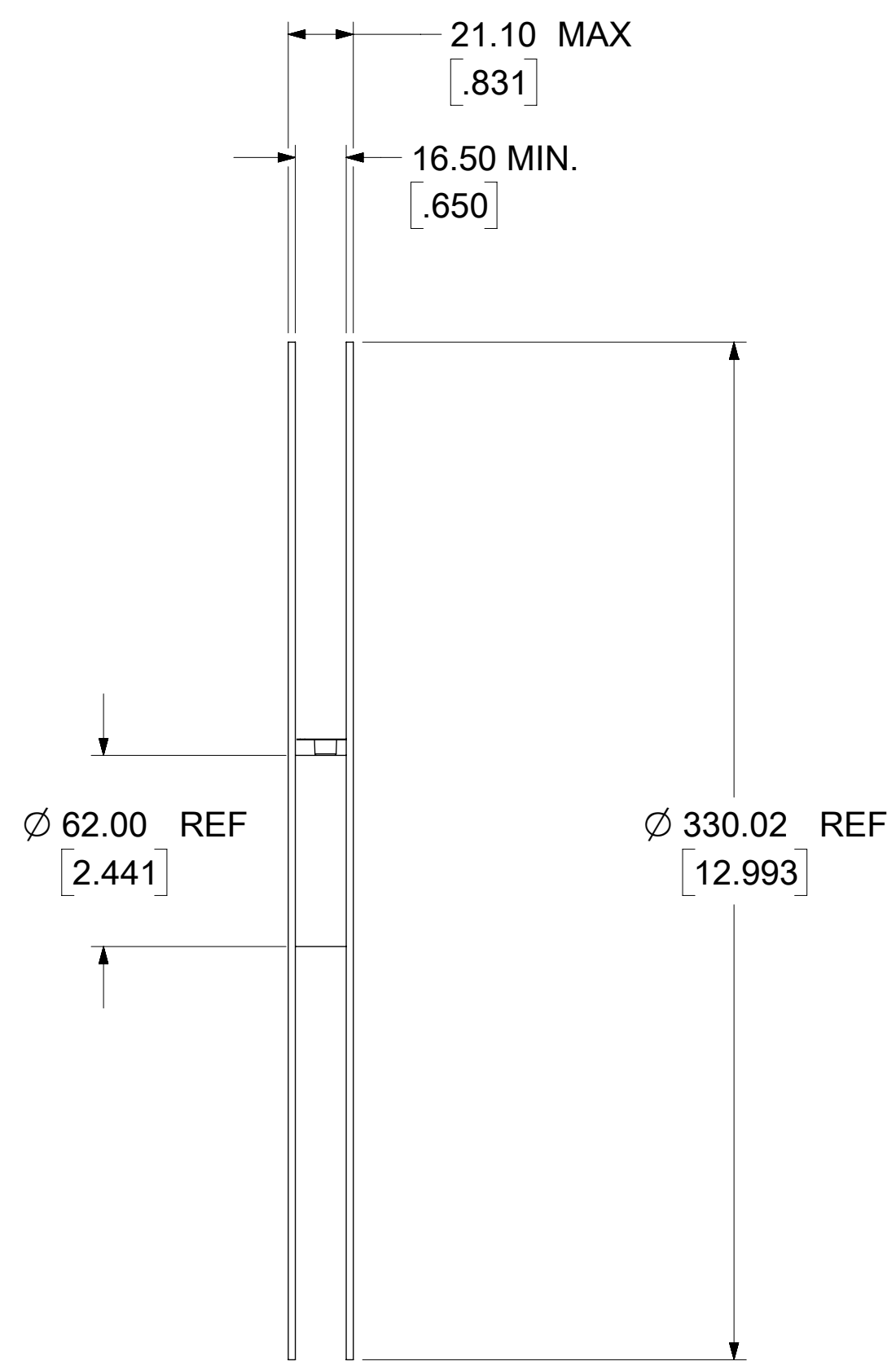
SMP PLUG 50 OHM PCB
SMP-P/PCB

PRODUCT CUSTOMER DRAWING

SD-73415-480

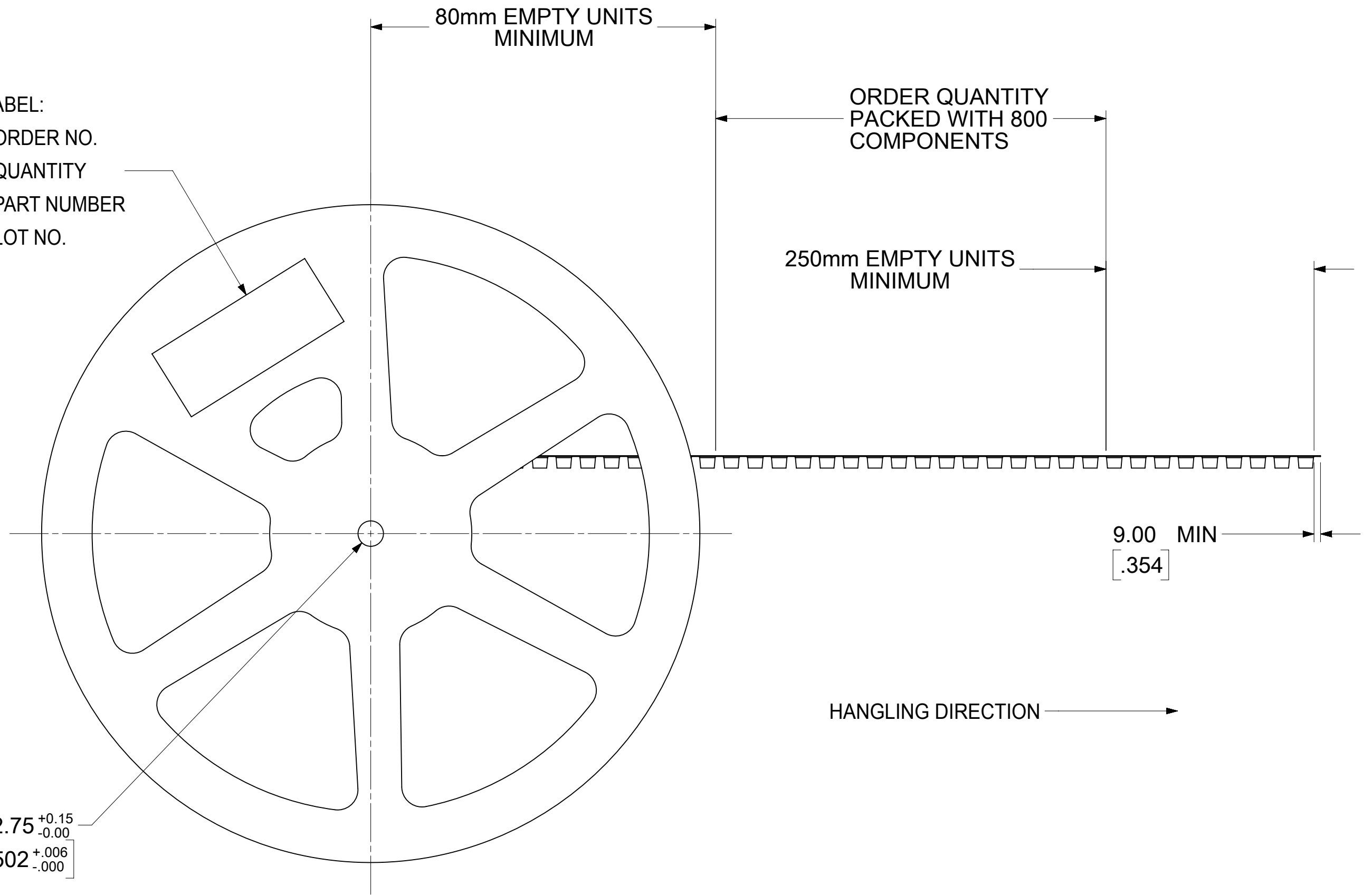
PSD 001 F2

GENERAL MARKET
2 OF 3



LABEL:
 - ORDER NO.
 - QUANTITY
 - PART NUMBER
 - LOT NO.

Ø 12.75^{+0.15}_{-0.00}
 [.502^{+0.006}_{-0.000}]



ORDER QUANTITY
 PACKED WITH 800
 COMPONENTS

THIS DRAWING CONTAINS INFORMATION THAT IS PROPRIETARY TO MOLEX ELECTRONIC TECHNOLOGIES, LLC AND SHOULD NOT BE USED WITHOUT WRITTEN PERMISSION											
FUNCTIONAL SYMBOLS	DIMENSION UNITS	SCALE	CURRENT REV DESC:								
	MM/INCH	NTS	EWR # 15321-E ADDED -4801 PART NO								
GENERAL TOLERANCES (UNLESS SPECIFIED)	ANGULAR TOL	± °	EC NO: 718007								
	4 PLACES	±	DRWN: JSU18 2022/08/11								
DIVISIONAL SYMBOLS	3 PLACES	±	CHK'D: YCHENG 2022/08/24								
	2 PLACES	± 0.25	APPR: YCHENG 2022/08/24								
	1 PLACE	±	INITIAL REVISION:								
	0 PLACES	±	DRWN: YCHENG 2005/01/05								
DRAFT WHERE APPLICABLE MUST REMAIN WITHIN DIMENSIONS			THIRD ANGLE PROJECTION	DRAWING	SERIES	DOCUMENT NUMBER			DOC TYPE	DOC PART	REVISION
				C-SIZE	73415	SD-73415-480			PSD	001	F2
MATERIAL NUMBER						CUSTOMER			SHEET NUMBER		
						GENERAL MARKET			3 OF 3		