

# HC-A04-I-UT-M - Contact insert



1585236

<https://www.phoenixcontact.com/us/products/1585236>

Please be informed that the data shown in this PDF document is generated from our Online Catalog. Please find the complete data in the user documentation. Our General Terms of Use for Downloads are valid.



Contact insert, number of positions: 4+PE, size: D7, number of connections per position: 1, Pin, Screw connection, 230 V/400 V, 10 A, 0.5 mm<sup>2</sup> ... 2.5 mm<sup>2</sup>

## Product Description

Contact insert  
without wire protection, with IP65 sealing screw

## Commercial Data

Item number	1585236
Packing unit	1 pc
Minimum order quantity	1 pc
Sales Key	BF61
Product Key	BF7ABJ
Catalog Page	Page 505 (C-2-2019)
GTIN	4046356284967
Weight per Piece (including packing)	16.1 g
Weight per Piece (excluding packing)	14.3 g
Customs tariff number	85366990
Country of origin	CN

# HC-A04-I-UT-M - Contact insert



1585236

<https://www.phoenixcontact.com/us/products/1585236>

## Technical Data

### Notes

General	for housing HC-D7
General	Connectors may be operated only when there is no load/voltage.

### Mounting

Assembly instructions	To ensure correct use, installation in housing with IP54 protection or better is required
	Already includes one IP65 sealing screw

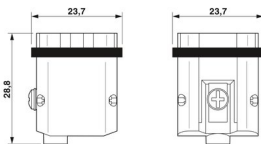
### Product properties

Type	D7
Product type	Contact insert with a fixed no. of positions
Number of positions	4
Connection profile	4+PE
Contact numbering	1 - 4
Number of connections per position	1
Contact type	turned
Series	HC-A
Screwdriver blade	0.4 x 2.5 mm

### Insulation characteristics

Overvoltage category	III
Degree of pollution	3

### Dimensions

Dimensional drawing	
Width	28 mm
Height	28.5 mm
Length	21 mm

### Mechanical characteristics

Contact diameter	1.6 mm
------------------	--------

### Connection data

#### Connection technology

Connection technology	Screw connection
Number of connections per position	1
Connection in acc. with standard	IEC / EN

# HC-A04-I-UT-M - Contact insert



1585236

<https://www.phoenixcontact.com/us/products/1585236>

## Conductor connection

Conductor cross section	0.5 mm <sup>2</sup> ... 2.5 mm <sup>2</sup>
Connection cross section AWG	20 ... 14
Tightening torque	0.5 Nm ... 0.8 Nm (Mounting screws for mounting in the HEAVYCON housing)
	0.25 Nm ... 0.5 Nm
Stripping length of the individual wire	5 mm

## Electrical properties

Rated voltage (III/3)	230 V (Conductor-PE)
	400 V (Conductor-Conductor)
Rated voltage for power contacts	230/400 V
Rated surge voltage	4 kV
	4 kV
Rated current	10 A
SCCR	5 kA (UL 2237)

## Mechanical properties

### Mechanical data

Insertion/withdrawal cycles	≥ 500
-----------------------------	-------

## Material specifications

Flammability rating according to UL 94	V0
Seal material Profile gasket	NBR, conductive
Contact material	Copper alloy
Contact surface material	Ag
Contact carrier material	PC
Standards/regulations	PC: Fire protection in rail vehicles - requirement sets R22, R23, and R24 acc. to DIN EN 45545-2 (Risk level HL1 - HL3)

## Environmental and real-life conditions

### Ambient conditions

Ambient temperature (operation)	-40 °C ... 125 °C (including heating up of contacts)
---------------------------------	--

## Standards and regulations

Constructional and testing regulations	IEC 61984:2008
	IEC 60664-1:2007
	IEC 60664-1, DIN IEC 60512
Tests	IEC 61984:2008
	IEC 60664-1:2007
	IEC 60664-1, DIN IEC 60512

## Testing

# HC-A04-I-UT-M - Contact insert



1585236

<https://www.phoenixcontact.com/us/products/1585236>

## Standards/regulations

PC: Fire protection in rail vehicles - requirement sets R22, R23, and R24 acc. to DIN EN 45545-2 (Risk level HL1 - HL3)

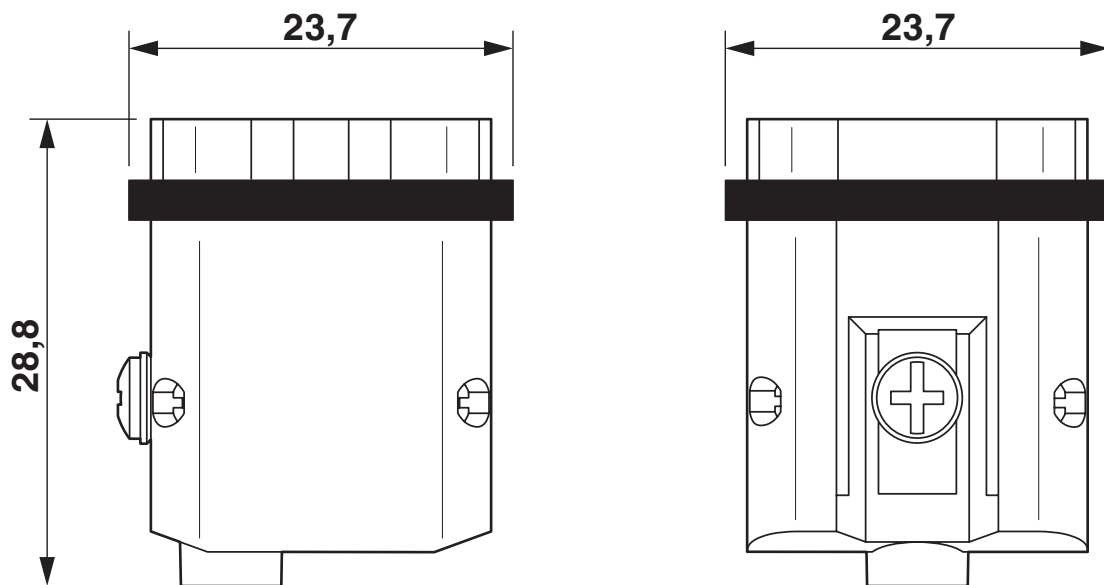
# HC-A04-I-UT-M - Contact insert

1585236

<https://www.phoenixcontact.com/us/products/1585236>

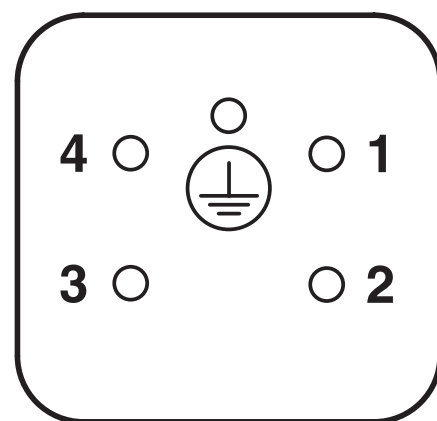
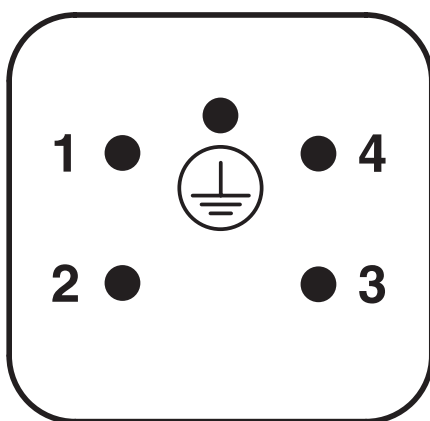
## Drawings

Dimensional drawing



Male insert

Schematic diagram

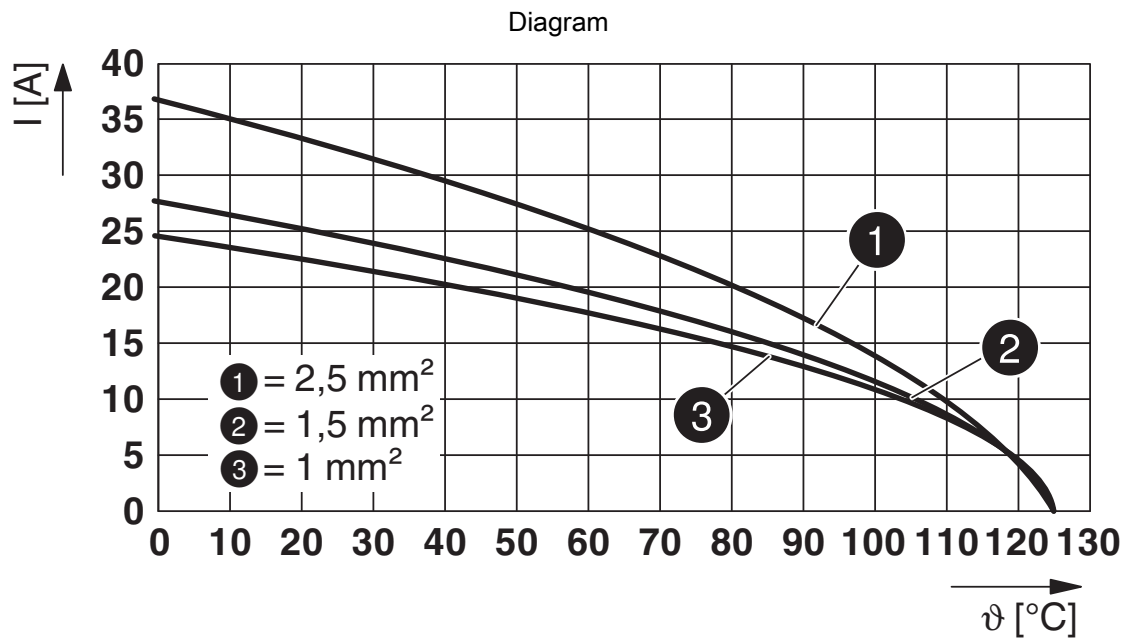


Connector pin assignment connection side: Left pin; right socket

# HC-A04-I-UT-M - Contact insert

1585236

<https://www.phoenixcontact.com/us/products/1585236>



Derating diagram

# HC-A04-I-UT-M - Contact insert




1585236

<https://www.phoenixcontact.com/us/products/1585236>

## Approvals

 <b>CSA</b> Approval ID: 13631	Nominal Voltage $U_N$	Nominal Current $I_N$	Cross Section AWG	Cross Section $\text{mm}^2$
	600 V	18 A	- 14	-

 <b>UL Recognized</b> Approval ID: E118976	Nominal Voltage $U_N$	Nominal Current $I_N$	Cross Section AWG	Cross Section $\text{mm}^2$
	600 V	24 A	-	-

 <b>EAC</b> Approval ID: RU C-DE.AI30.B.01102
---

 <b>UL Recognized</b> Approval ID: E468743	Nominal Voltage $U_N$	Nominal Current $I_N$	Cross Section AWG	Cross Section $\text{mm}^2$
	600 V	24 A	-	-

 <b>EAC</b> Approval ID: RU C-DE.BL08.B.00511
---

# HC-A04-I-UT-M - Contact insert



1585236

<https://www.phoenixcontact.com/us/products/1585236>

## Classifications

### ECLASS

ECLASS-11.0	27440205
ECLASS-12.0	27440205
ECLASS-13.0	27440205

### ETIM

ETIM 8.0	EC000438
----------	----------

### UNSPSC

UNSPSC 21.0	39121500
-------------	----------



# HC-A04-I-UT-M - Contact insert



1585236

<https://www.phoenixcontact.com/us/products/1585236>

## Environmental Product Compliance

REACH SVHC	Lead 7439-92-1
China RoHS	Environmentally Friendly Use Period = 50 years
	For information on hazardous substances, refer to the manufacturer's declaration available under "Downloads"

# HC-A04-I-UT-M - Contact insert

1585236

<https://www.phoenixcontact.com/us/products/1585236>



## Accessories

### HC-CP-D07-PL - Coding element

1095413

<https://www.phoenixcontact.com/us/products/1095413>

Coding element for HC-D07 contact inserts of the HC-A03... / HC-A04... / HC-Q03... / HC-Q04... / HC-Q07... series



---

### HC-D07-SP-RBK - Profile gasket

1419622

<https://www.phoenixcontact.com/us/products/1419622>

Profile gasket, design: D7, for pin inserts



# HC-A04-I-UT-M - Contact insert

1585236

<https://www.phoenixcontact.com/us/products/1585236>



## HC-D 7-DS-IP65 - Sealing screw

1686229

<https://www.phoenixcontact.com/us/products/1686229>



Sealing screw, size: Countersunk head, IP67, replacement part for D7 size HEAVYCON housing

---

## HC-A04-I-UT-F - Contact insert

1585249

<https://www.phoenixcontact.com/us/products/1585249>



Contact insert, number of positions: 4+PE, size: D7, number of connections per position: 1, Socket, Screw connection, 230 V/400 V, 10 A, 0.5 mm<sup>2</sup> ... 2.5 mm<sup>2</sup>

---

Phoenix Contact 2023 © - all rights reserved  
<https://www.phoenixcontact.com>

Phoenix Contact USA  
586 Fulling Mill Road  
Middletown, PA 17057, United States  
(+717) 944-1300  
[info@phoenixcon.com](mailto:info@phoenixcon.com)