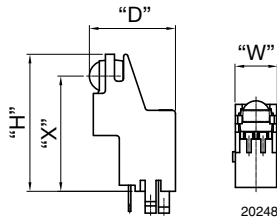
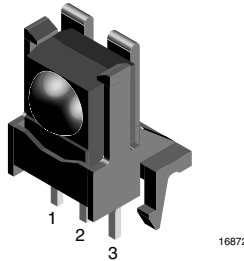


Side View Holder: D = 9.5 mm, H = 10.2 mm, W = 7.4 mm, X = 6.6 mm



FEATURES

- Material categorization: for definitions of compliance please see www.vishay.com/doc?99912



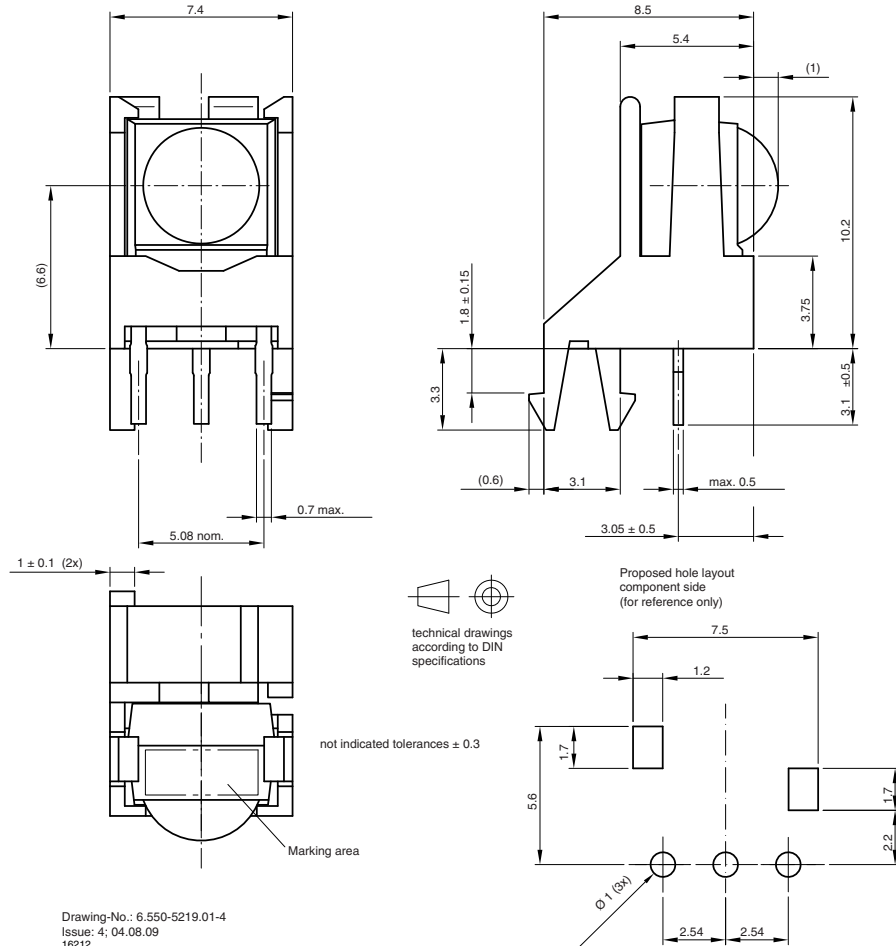
RoHS
COMPLIANT
HALOGEN
FREE
GREEN
(5-2008)

AVAILABLE FOR

- Mold

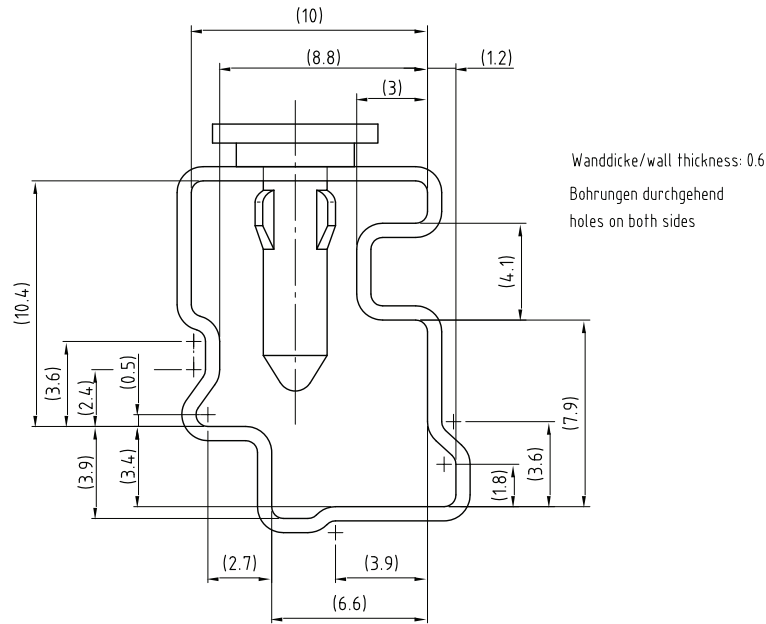
NAME	LENS AXIS (X)	VIEW	TYPE	HEIGHT (H)	WIDTH (W)	DEPTH (D)
VI1	6.6	Side	Holder	10.2	7.4	9.5

MECHANICAL DIMENSIONS in millimeters

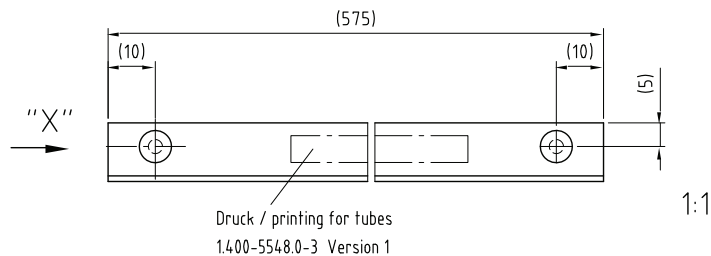


PACKAGING DIMENSIONS in millimeters

"X" 90° gedreht / 90° turned



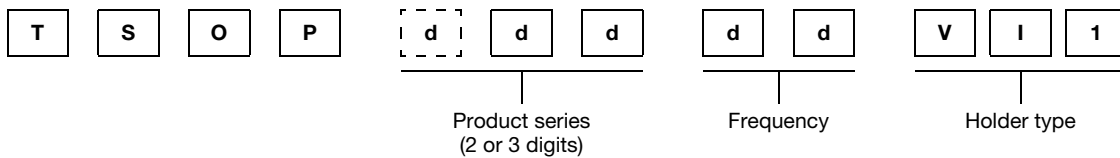
Wanddicke/wall thickness: 0.6
Bohrungen durchgehend
holes on both sides



Drawing-No.: 9.700-5241.0-4
Rev. 3; Date: 20.11.03

20267-1

ORDERING INFORMATION



Note

- d = "digit", please consult the list of available series on the previous page to create a valid part number

Example: TSOP14838VI1

PACKAGING QUANTITY

- 74 pieces per tube
- 48 tubes per carton

Vishay offers plastic and metal holder which have different characteristics:

- Plastic Pros: nearly invisible behind the bezel
- Plastic Cons: cannot be reflow soldered, wave soldering deforms the hooks (visual issue only, the part is secured by the leads after soldering)
- Metal Pros: may be reflow and wave soldered, improves EMI and RF rejection
- Metal Cons: appears shiny behind the bezel, will oxidize over time (visual issue only, the holder functionality is not impaired)