

MODEL NUMBER
HYB-5310-03-SMA-79

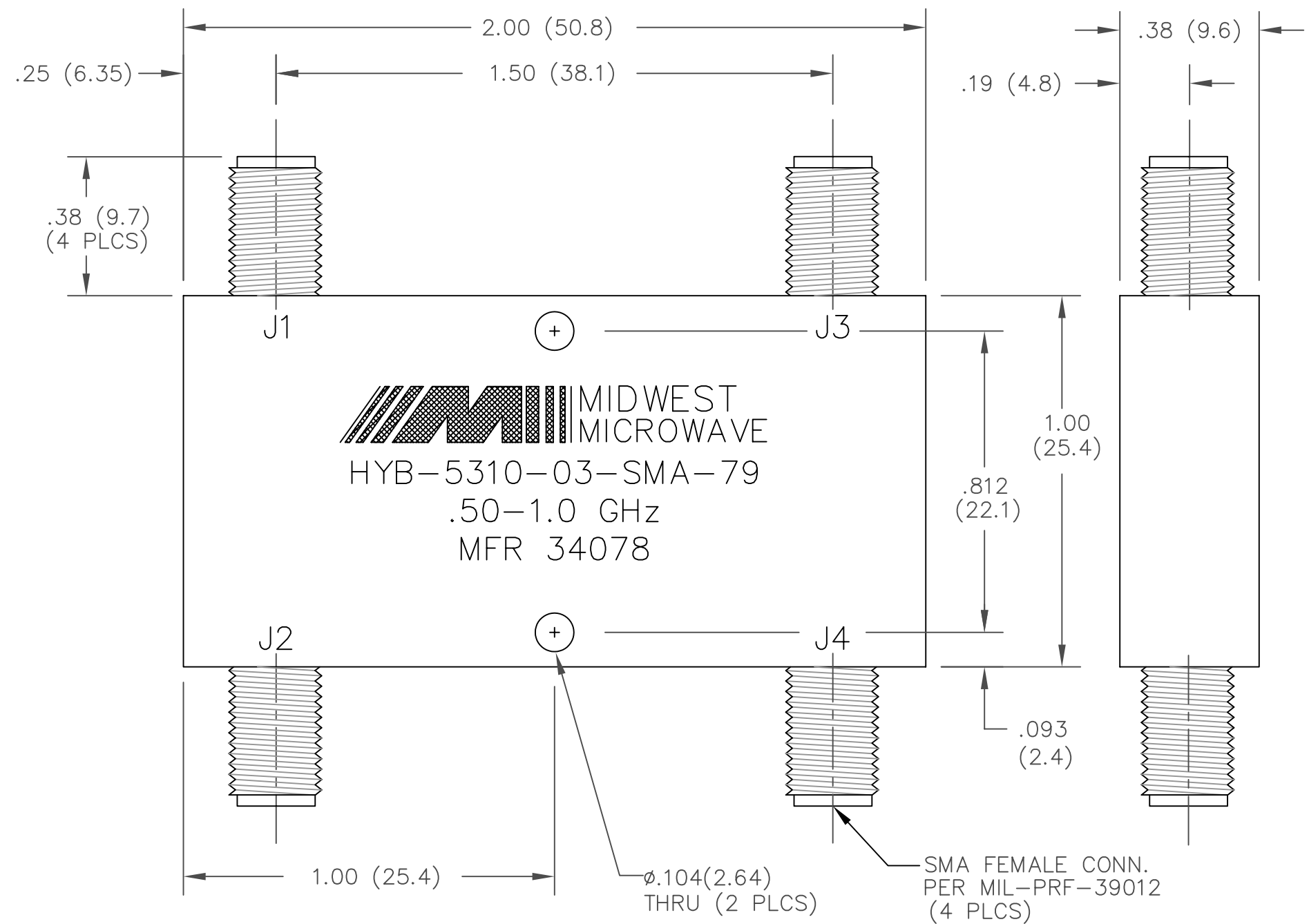
NOTES

- 1.0 ELECTRICAL SPECIFICATIONS:
- 1.1 FREQUENCY RANGE: .50-1.0 GHz
- 1.2 AMPLITUDE BALANCE: ±0.5 dB
- 1.3 ISOLATION: 25dB MIN
- 1.4 VSWR: 1.20:1 MAX.
- 1.5 INSERTION LOSS: .20dB MAX.
- 1.6 INPUT POWER:
 - 1.6.1 AVERAGE: 50 WATTS
 - 1.6.2 PEAK: 3 KILOWATTS

2.0 FINISHING

- 2.1 GREY OVER MIL-E-15090 TYPE II, CLASS 2
OVER MIL-C-5541 CLASS 3A
MEETS MIL-F-14072
MEETS MIL-E-5400 AND MIL-E-16400V.
- 2.2 MARK UNIT AS SHOWN.
REF: SLK-09003-82-02

3.0 DIMENSIONS IN PARENTHESIS ARE IN MILLIMETERS.



REV.	DESCRIPTION	DATE
-	RELEASED	6/27/91
A	ECN 10738	7/1/91
B	ECN 12739	6/18/93
B1	ADDED TITLEBLOCK	6/21/05
C	ECO 22783	11/4/10

NOTICE: The information contained in this drawing is proprietary and must not be used without the permission of Emerson Network Power. UNLESS OTHERWISE NOTED DIMENSIONS ARE IN INCHES AND TOLERANCES ARE: 3 PLACE DECIMALS ±.005 2 PLACE DECIMALS ±.02 FRACTIONS ±1/64 PARALLELITY: T.I.R. _____ FLATNESS: T.I.R. _____ CONCENTRICITY: T.I.R. _____ ANGLES AND PERPENDICULARITY: ±1°	CAGE CODE 34078	MIDWEST MICROWAVE	
	 EMERSON Network Power Connectivity Solutions	TITLE HYBRID COUPLER OUTLINE DRAWING	
DRAWN/DATE A.BEATTY 6/10/91	ENG./DATE P.GOODMAN 6/20/91	DRAWING NUMBER HYB-5310-03-SMA-79-01	REV. C
CHECKED/DATE C.RIGGE 6/10/91	APPROVED/DATE	SCALE: 2.50=1	SHEET 1 of 1