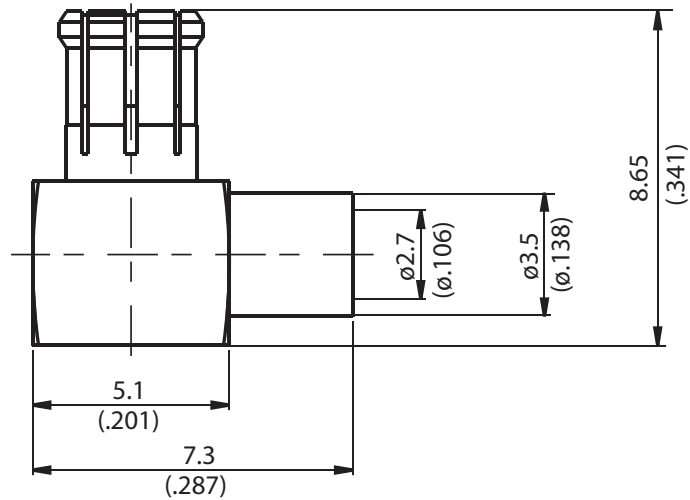


MCX3300-9L120

MCX Plug Solder Right Angle 50Ω



Parts	Material	Plating (Micro-inch)
Cover	Brass	Gold 5 Over Nickel 50 Over Copper 50
Contact Pin	Brass	Gold 20 Over Nickel 50 Over Copper 50
Insulator	Teflon	
Body	Phosphor Bronze	Gold 5 Over Nickel 50 Over Copper 50

Weight: 0.81 g

Suitable Cables: LL120 Low Loss Cable

Notice: JYEBAO reserves the right to make modifications deemed appropriate.