



TNC Connectors

FOR FLEXIBLE CABLE AND PC MOUNT

Straight Crimp Type Jack

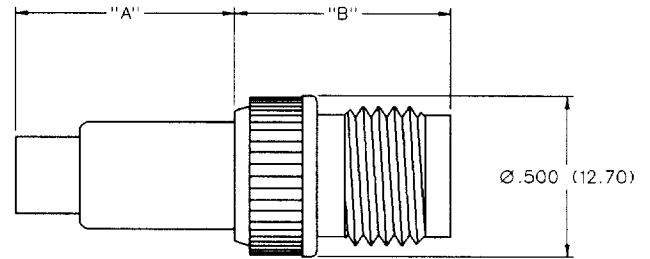
Inches (millimeters)

2 Piece, Connector to Center Conductor Twist On

Part Number	Cable*	"A"	"B"
137-1307-006	RG-58	.680 (17.27)	.668 (16.97)
137-1309-006	RG-59, 62	.673 (17.09)	.675 (17.15)
137-1309-016	RG-MATV-59	.677 (17.20)	.673 (17.09)
137-1312-006	RG-6	.684 (17.37)	.661 (16.79)
137-1309-026	RG-TFE-59, 62	.684 (17.37)	.668 (16.97)

Assembly instructions on page 37.

* Requires solid center conductor.



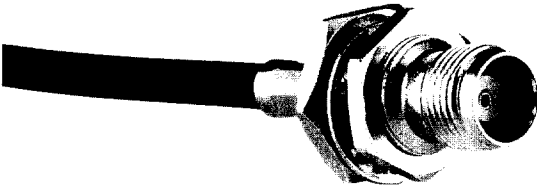
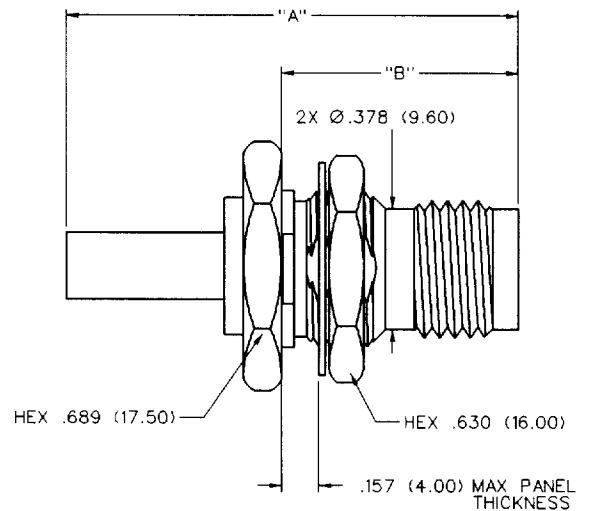
Straight Crimp Type, Rear Mount Bulkhead Jack

Solder or Crimp Contact

Part Number	Cable	"A"	"B"
137-0308-406	RG-142, 223, 400	1.425 (36.20)	.775 (19.69)
137-0307-406	RG-58; BELDEN 9907	1.425 (36.20)	.775 (19.69)
137-0303-406	RG-174, 188, 316	1.417 (35.99)	.765 (19.43)

Assembly instructions on page 36.

Mounting hole layout figure 1 page 45.



Right Angle Bulkhead Jack Receptacle

Shielded

Part Number	"A"	"B"
137-1701-506	.622 (15.80)	.335 (8.50)
137-1701-516	.512 (13.00)	.268 (6.80)

Mounting hole layout figures 1 and 5 page 45.

