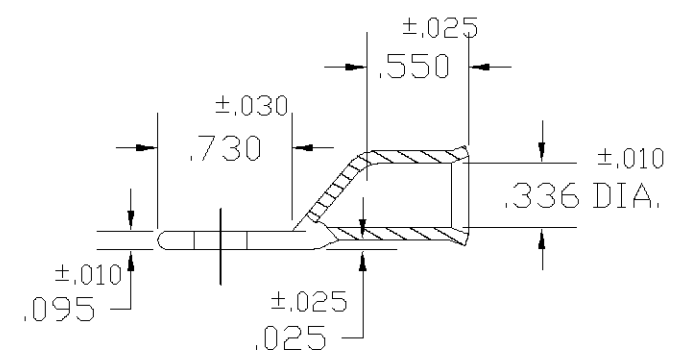
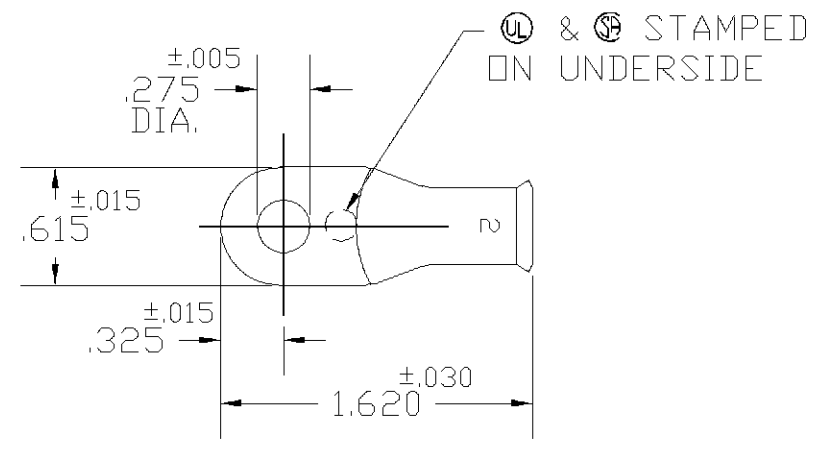


THIS DRAWING IS UNPUBLISHED. RELEASED FOR PUBLICATION  
 © COPYRIGHT BY TYCO ELECTRONICS CORPORATION. ALL RIGHTS RESERVED.

LOC	DIST	REVISIONS					
		P	LTR	DESCRIPTION	DATE	DWN	APVD
G	50		B	REV PER 0G61-0044-02	23MAY02	JR	MS



ACTIVE	2141-00-D	SMALL PACK	PLAIN	8-1526290-1
ACTIVE	2141-01	STANDARD	TIN PLATE	1526290-2
ACTIVE	2141-00	STANDARD	PLAIN	1526290-1
STATUS	AET P/N	PACKAGING	FINISH	PART NUMBER

THIS DRAWING IS A CONTROLLED DOCUMENT.		DWN D.A.A	10/13/00	Tyco Electronics Corporation Harrisburg, PA 17105-3608	
DIMENSIONS: INCHES		CHK H.D.F	10/13/00		
TOLERANCES UNLESS OTHERWISE SPECIFIED:		APVD H.D.F	10/13/00	NAME 2A STANDARD TERMINAL	
0 PLC ± - 1 PLC ± - 2 PLC ± - 3 PLC ± - 4 PLC ± - ANGLES ± -		PRODUCT SPEC	-		
MATERIAL COPPER ASTM B-152		FINISH	-		
		WEIGHT	-		
		CUSTOMER DRAWING		SCALE 1:1	SHEET 1 OF 1
		A3 00779 C-1526290		RESTRICTED TO	REV B