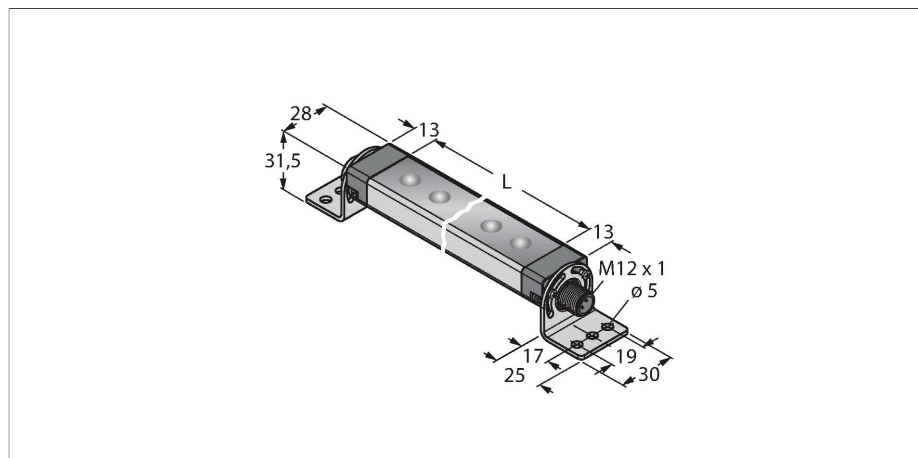


# WLS28-2XWB-285DXQ

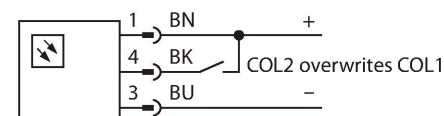
## Work Light – Linear Light



### Features

- Light beam: 285mm
- Operating voltage: 12...30 VDC
- Protection class: IP50
- Color 1: Daylight white (100% light intensity)
- Color 2: blue (100% light intensity)
- Two-color linear light
- M12 x 1 male, straight, 4-pin
- SMBWLS28RA mounting bracket included in delivery

### Wiring diagram

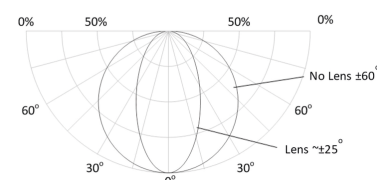


### Technical data

Type	WLS28-2XWB-285DXQ
ID	3094321
<b>Signal and display data</b>	
Purpose	LED work light
Function	Linear light
Light type	White/Blue
Luminous flux lumen	650 lm
Aperture angle degree	60 °
Beam angle	wide beam 40-80°
LED service life (L70)	50000 h
Dimmable	Two-stage
Features of color 1	White, Permanently on, 100 %, 180 lm
Features of color 2	Blue, Permanently on, 100 %, 85 lm
<b>Electrical data</b>	
Operating voltage	12...30 VDC
DC rated operational current	≤ 660 mA
Input power	7.92 W
<b>Mechanical data</b>	
Cascadable	No
Design	Rectangular, WLS28-2
Dimensions	327 x 28 x 20.9 mm
Housing material	Metal, AL
Window material	Polycarbonate, diffuse
Electrical connection	Connector, M12 × 1, PVC
Number of cores	4
Ambient temperature	-40...+70 °C

### Functional principle

The energy-efficient LED work lights are ideally suited for industrial applications. The color temperature is between 4,700 and 5,300 Kelvin (cool white). Depending on the model, the luminous flux is 475 or 1900 lumen. Some work lights are switched on/off via supply power (10...30 VDC) and some types by means of a button directly at the LED lamp. In addition, the LED can be switched to second color by activating a high signal on PIN 4, or for the variants with a switch by means of a further switch position. This additional color can be selected with either 100, 50 or 33% light intensity. Cascadable variants are also available. Variants with a clear or diffuse plastic windows, as well as with an aperture angle of 25°.



## Technical data

Storage temperature	-40...+70 °C
Relative humidity	0...90 %
Protection class	IP50
Tests/approvals	
Approvals	CE, UL

## Accessories

<p><b>SMBWLSMAG</b></p>	<p><b>3019574</b></p> <p>Magnetic mounting bracket for mounting on metallic surfaces, for mounting WLS28 work lights</p>	<p><b>SMBWLS28RA</b></p>	<p><b>3015764</b></p> <p>Mounting bracket, angled, metal, for WLS28 work lights, 5 mm drill holes, screw set included</p>
<p><b>SMBWLS28SP</b></p>	<p><b>3088063</b></p> <p>Snap bracket for mounting WLS28 work lights</p>		

## Accessories

Dimension drawing	Type	ID	
	<p>RKC4.4T-2/TEL</p>	<p>6625013</p>	<p>Connection cable, female M12, straight, 4-pin, cable length: 2 m, sheath material: PVC, black; cULus approval; other cable lengths and qualities available, see <a href="http://www.turck.com">www.turck.com</a></p>
	<p>WKC4.4T-2/TEL</p>	<p>6625025</p>	<p>Connection cable, female M12, angled, 4-pin, cable length: 2 m, sheath material: PVC, black; cULus approval; other cable lengths and qualities available, see <a href="http://www.turck.com">www.turck.com</a></p>