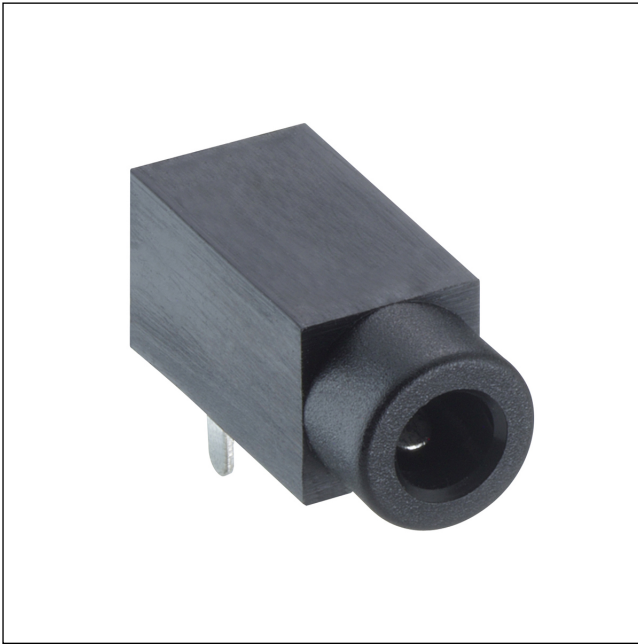


15

1501 14

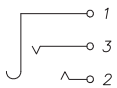
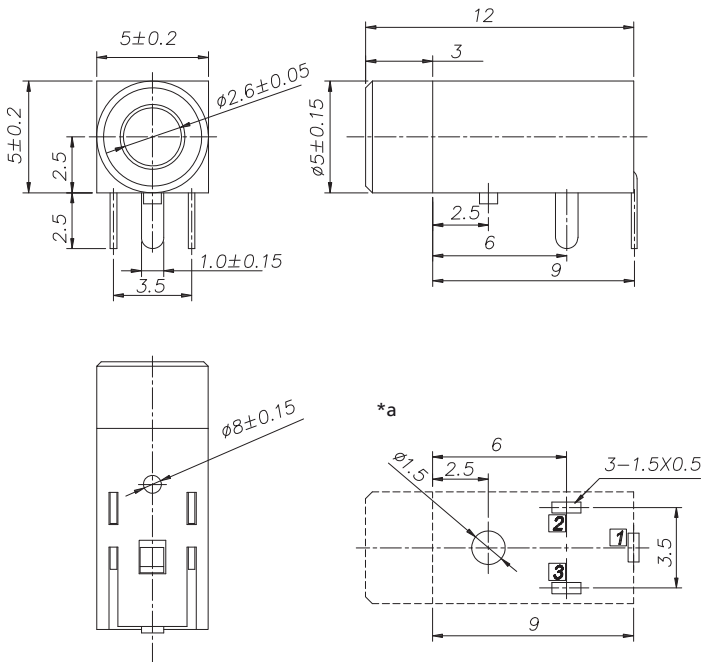
Jack connectors



Jack chassis socket acc. to JIS C 6560 JC25J3A, 2.5 mm, 3 poles/stereo, angular version, for printed circuit boards, with plastic collar

15

1501 14



*a printed circuit board layout, solder side view

Environmental conditions

Temperature range -20 °C/+70 °C

Materials

Insulating body PA, HB according to UL94
Contact spring CuSn, tin/silver-plated

Mechanical data

Mating cycles ≥ 5000
Insertion force ≤ 30 N
Withdrawal force ≥ 3 N

Electrical data (at T_{amb} 20 °C)

Contact resistance ≤ 30 m Ω ¹
Rated current 0,5 A
Rated voltage 30 V DC
Rated impulse voltage 500 V/60 s
Insulation resistance ≥ 50 M Ω

¹ initial value

Associated products

Counterparts
☑ KLS 13

15

1501 14

Designation	Pole Number	PU (Pieces)	MDQ (Pieces)
1501 14	3	500	500

Packaging:

in bulk, in a cardboard box or a plastic bag