



Feed-Through Capacitors

B85121/B85122 (10–25 A)

Data Sheet



<http://www.epcos.com>

Rated current up to 25 A

Rated voltage up to 600 Vdc/440 Vac (50/60 Hz)

Construction

- FK technology
Dielectric: oil-impregnated paper (free of PCB)
Electrodes: metal foils
- MP technology (self-healing)
Dielectric: oil-impregnated paper (free of PCB)
Electrodes: metallized paper
- Metal case
- Glass or ceramic feed-throughs
- Hermetically soldered

Features

- For central screw fixing
- High contact reliability

Applications

- Broadband interference suppression
for ac/dc supply and control lines
up to 25 A

Terminals

- Axial leads, tinned

Marking

Manufacturer, ordering code,
rated capacitance, EMI suppression class,
rated voltage, rated current,
climatic category, date of manufacture (MM.YY)

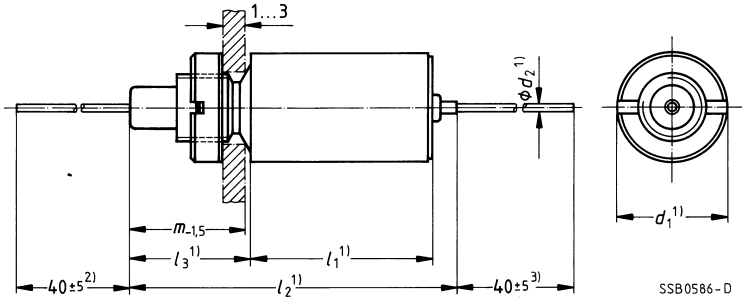
Standards

Capacitors marked with EMI suppression class
comply with VDE 0565-1

Safety information

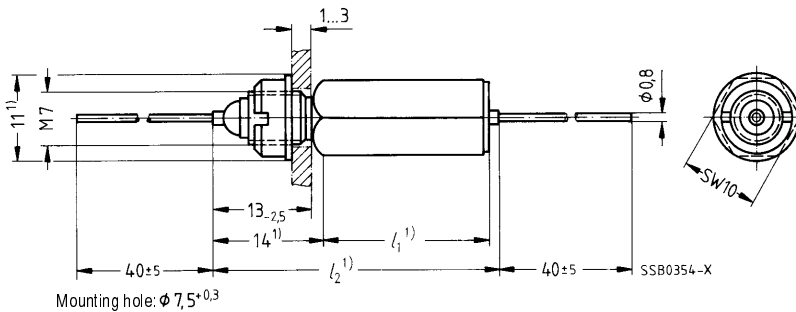
If high-capacitance feed-through capacitors are used,
protective measures (e.g. protective earthing) in accordance
with equipment/system regulations are required.



Dimensional drawings
B85121-A, B85122-A


Slotted nut and spring washer included in delivery

Type	Dimensions (mm)						Thread	Mounting hole	
	d_1	l_1	l_2	l_3	m	d_2			
B85122-A-B2	16	24	42,5	16,5	16	1	M10 × 0,75	10,5 +0,3	Creep- age dis- tance/ clear- ance ≥ 4 mm
B85121-A-B3	16	34	52,5	16,5	16	1	M10 × 0,75	10,5 +0,3	
B85121-A-B9, -B15	16	34	52,5	16,5	16	1	M10 × 0,75	10,5 +0,3	
B85121-A-B4	20	26,5	46	18	17	2	M12 × 0,75	12,5 +0,5	
B85121-A-B5, -B6, -B39	20	38,5	58	18	17	2	M12 × 0,75	12,5 +0,5	
B85121-A-C37	20	32	52	19	18,5	2	M12 × 0,75	12,5 +0,5	

B85121-D


Type	l_1 (mm)	l_2 (mm)	Accessories	
B85121-D-B1... -B4	25	41	Slotted nut and spring washer included in delivery	Creep. dist./clearance ≥ 2 mm
B85121-D-B5, -B6	30	46		

1) max.

2) B85121-A-C37: length 45 ± 5

3) B85121-A-C37: length 65 ± 5

Technical data

Test voltage V_P	Terminal/case (layer/layer)	
Insulation resistance R_{is} or time constant $\tau = C_R \cdot R_{is}$	$C_N \leq 0,33 \mu\text{F}$	$C_N > 0,33 \mu\text{F}$
	$\geq 12000 \text{ M}\Omega$	$\geq 4000 \text{ s}$
Capacitance tolerance	$\pm 20 \%$	
Climatic category	In accordance with IEC 68-1 FK technology: 40/100/56 ($-40 \text{ }^\circ\text{C}/+100 \text{ }^\circ\text{C}/56$ days damp heat test) MP technology: 40/085/56 ($-40 \text{ }^\circ\text{C}/+85 \text{ }^\circ\text{C}/56$ days damp heat test)	

Characteristics and ordering codes

I_R A	V_R Vdc/Vac 50/60 Hz	Vac 400 Hz	V_P Vdc, 2 s	C_R	Class ²⁾	Tech- nology	Approx. weight g	Ordering code
10	350/250 ¹⁾	115	1500	5000 pF		FK	13	B85121-D-B1
10	350/250 ¹⁾	115	1500	0,01 μF		FK	13	B85121-D-B2
10	160/110	60	750	0,025 μF		FK	13	B85121-D-B3
10	80/42	–	900	0,05 μF		FK	13	B85121-D-B4
10	250/100	60	400	0,1 μF		MP	15	B85121-D-B5
10	250/42	–	1075	0,05 μF		FK	15	B85121-D-B6
16	600/250 ³⁾	220	3950	2500 pF	Y	FK	30	B85122-A-B2
16	440/250 ³⁾	115	3750	5000 pF	Y	FK	23	B85121-A-B3
16	350/250	115	1600	0,05 μF	X2	FK	28	B85121-A-B9
16	160/75	40	300	1,0 μF		MP	30	B85121-A-B15
25	440/250 ³⁾	115	3750	0,01 μF	Y	FK	36	B85121-A-B4
25	440/250 ³⁾	115	3750	0,035 μF	Y	FK	51	B85121-A-B5
25	440/250 ³⁾	115	3750	0,05 μF	Y	FK	51	B85121-A-B6
25	600/440	220	3950	0,035 μF	X1	FK	55	B85121-A-B39
25	160/75	–	450	1 μF		MP	55	B85121-A-C37

1) Not for power line operation!

2) In accordance with VDE 0565-1

3) If the capacitors are not used as Y capacitors, but e.g. for connection to anode voltage lines, the max. permissible operating voltage is 350 Vrms, 60 Hz/750 Vdc

Published by EPCOS AG

Marketing Communications, P.O. Box 80 17 09, 81617 Munich, GERMANY

© EPCOS AG 2001. All Rights Reserved. Reproduction, publication and dissemination of this brochure and the information contained therein without EPCOS' prior express consent is prohibited.

The information contained in this brochure describes the type of component and shall not be considered as guaranteed characteristics. Purchase orders are subject to the General Conditions for the Supply of Products and Services of the Electrical and Electronics Industry recommended by the ZVEI (German Electrical and Electronic Manufacturers' Association), unless otherwise agreed.

This brochure replaces the previous edition.

For questions on technology, prices and delivery please contact the Sales Offices of EPCOS AG or the international Representatives.

Due to technical requirements components may contain dangerous substances. For information on the type in question please also contact one of our Sales Offices.