

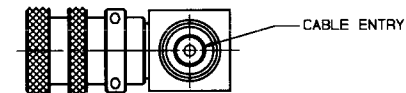
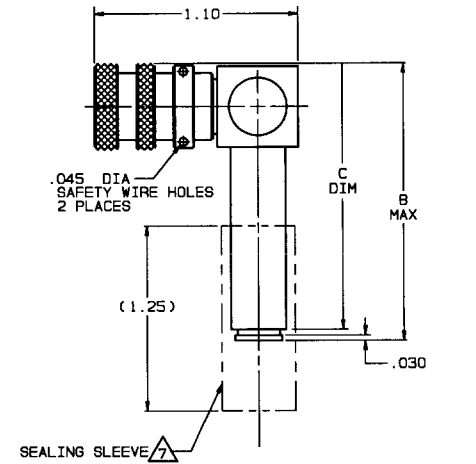
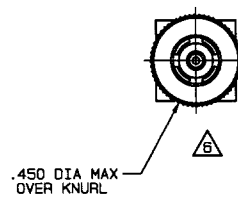
RED IS ORIGINAL

DISK #	DWG SIZE	DATA CONTAINED IN THIS DOCUMENT IS PROPRIETARY TO TROMPETER ELECTRONICS INC. AND SHALL NOT BE DISCLOSED, COPIED OR USED FOR PROCUREMENT OR MANUFACTURE WITHOUT EXPRESS WRITTEN PERMISSION.	REVISIONS		310-0069	SH 1
K 3	C		REV	EO	DESCRIPTION	DWN APPROVED DATE
			E	10055	SH1: PICTORIALY REVISED SEALING SLEEVE; GENERAL UPDATE SH2: SEE ECO	DKg [Signature] 12/4/92

DASH NO	MODEL NO	CENTER CONTACT/INTMO CONTACT TYPE
-1	PLR3455ACP	SOCKET/PIN
-2	PLR3455ACS	PIN/SOCKET

CABLE GROUP NO	CABLES ACCOMMODATED	A HEX	B MAX	C DIM	ASSEMBLE PER
-201	M17/176-00002				
-202	TWC-78-1, TROMPETER				
-203	TWC-124-1A, TROMPETER				
-204	10B02, RAYCHEM				
-205	TWAC-78-1F2, TROMPETER				
-206	782600130, RAYCHEM				
-208	202-3927, MICRODOT	.255	1.60	1.43	TAI-170
-209	202-3942, MICRODOT				
-212	2524E0114, RAYCHEM				
-217	GC875TM24H, GRUMMAN				
-218	EPD221888, RAYCHEM				
-219	252601114, RAYCHEM				
-220	GC875RR1, GRUMMAN				
-221	10B14, RAYCHEM				
-222	10B13, RAYCHEM				
-223	HMS2-1149, HUGHES				
-303	1059B, RAYCHEM	.344	1.88	1.49	TAI-186

INCH	MM
.005	0.13
.03	0.76
.045	1.14
.255	6.48
.450	11.43
1.10	27.94
1.25	31.75
1.43	36.32



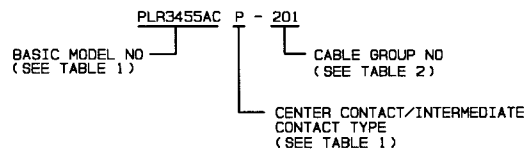
-1 -201 SHOWN

⚠ STRAIN RELIEF SUPPLIED LOOSE WITH -303 ONLY

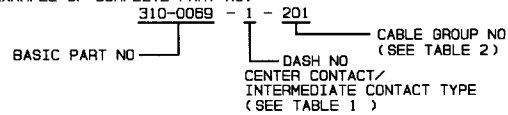
⚠ SEALING SLEEVE & CRIMP BUSHING SUPPLIED LOOSE WITH EACH CONNECTOR EXCEPT SEALING SLEEVE NOT USED ON -205, -208 & -223

⚠ BOTTOM PORTION NOT SHOWN FOR CLARITY

5. EXAMPLE OF COMPLETE MODEL NO:



4. EXAMPLE OF COMPLETE PART NO:



3. CONCENTRIC TWINAX 4 PIECE ASSY, RIGHT ANGLE FULL CRIMP CABLE PLUG, SOCKET CENTER CONTACT AND PIN INTERMEDIATE CONTACT OR PIN CENTER CONTACT AND SOCKET INTERMEDIATE CONTACT

2. FINISH: TFS-1U (500 HR SALT SPRAY), NICKEL

1. ALL DIM ARE IN INCHES

QTY	DESCRIPTION	PART NUMBER	ITEM
TOL UNLESS SPECIFIED .XX ± .03 .XXX ± .005 .XXXX ± .001 ANGLES ±	<b>TROMPETER ELECTRONICS, INC.</b>	PLR3455AC/P/S	
DWN DKg 12/2/92	MATERIAL	CODE IDENT 14949	DRAWING NO. 310-0069
CHK [Signature] 12/3/92			REV E
ENGR [Signature]			
APPR [Signature] 12/3/92	SCALE 2/1	DATE 11/4/88	SHEET 1 OF 2