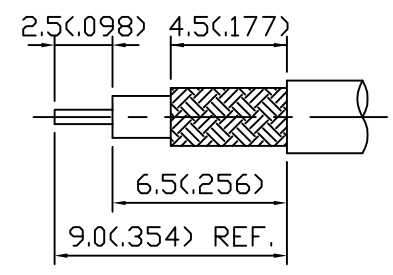
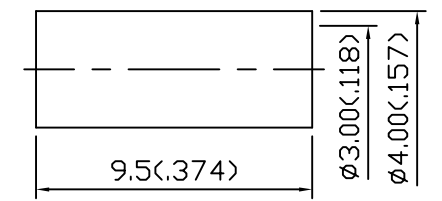
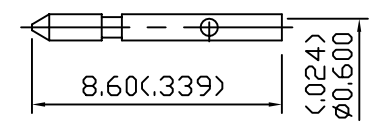
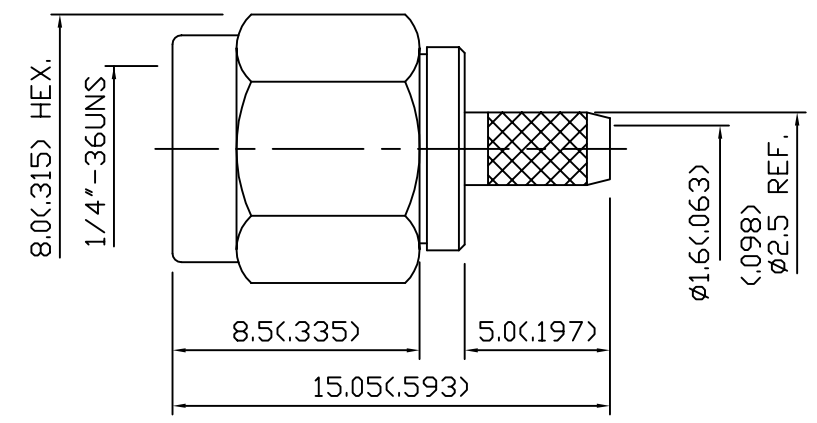


DRAWING REVISIONS			
REV	DOCUMENT	APP	DATE
2	PRELIM.		



STRIPPING DIM. REF.

NOTES:  
1. SPECIFICATIONS:  
MATERIALS:

BODY, FERRULE AND SHELL: BRASS  
PLATING: GOLD 3 MICRO INCHES MIN.  
CENTER CONTACT: BRASS  
PLATING: GOLD 50 MICRO INCHES MIN.  
INSULATOR: TEFLON  
GASKET: SILICONE-RED  
WASHER: SST

**ELECTRICAL**

IMPEDANCE: 50 Ohms  
FREQUENCY RANGE: 0 TO 18 GHz  
WORKING VOLTAGE: <= 500V rms  
INSULATION RESISTANCE: >= 5000 MOhms  
CONTACT RESISTANCE:  
CENTER CONTACT: 3 MILLI Ohms MAX.  
OUTER CONTACT: 2 MILLI Ohms MAX.

**MECHANICAL:**

DURABILITY: 500 MATING CYCLES.  
OPERATING TEMPERATURE: -65°C TO 125°C.  
CONNECTOR INTERFACE PER MIL-STD-348A

2. ALL DIMENSIONS ARE IN MM AND DIMENSIONS IN ( ) ARE IN INCHES.

CINCH PART NO.	CINCH CATALOG NO.
299 98 05 012	SMA50-4101

UNITS <b>METRIC</b>		<b>AUTOCAD</b>	<b>Cinch</b>	1700 FINLEY RD LOMBARD, IL. 60148
DO NOT SCALE DRAWING	DRAWN BY A.BALI	DATE 05/12/03	TITLE SMA PLUG/STRA CABLE(RG-174U) 50 Ohms.	
UNLESS OTHERWISE SPECIFIED, DIMENSIONS ARE IN MILLIMETERS	DESIGN ENGINEER A.BALI	05/12/03	MATERIAL SEE NOTE	CONTROL SPEC NUMBER
FILLET/RADIUS 0.50 MAX.	DESIGN ENGINEERING MGR.		MATERIAL SPEC NUMBER	FINISH
TOLERANCES AND LIMITS APPLY OVER ADDITIVE FINISH	MFG. ENGINEERING		CAD FILE NUMBER SMA50-4101	PROJECT NUMBER C14526
	QUALITY ASSURANCE		CAGE IDENT NO. SIZE 71785 B	DRAWING NUMBER <b>SMA50-4101</b>
THIS DOCUMENT IS THE PROPERTY OF CINCH. NEITHER THIS DOCUMENT NOR ANY OF THE INFORMATION CONTAINED IN IT MAY BE DUPLICATED OR DISCLOSED WITHOUT PRIOR WRITTEN CONSENT OF CINCH.			SCALE NTS	SHEET 1 OF 1