

BOURNS®

Features

- For use with Texas Instruments' TNET D 4000 C/P chipset
- Excellent Total Harmonic Distortion (THD) Performance
- SMT and small size package
- Designed to meet IEC1950

- Operating temperature -40 °C to +85 °C
- Designed to meet UL1950 and EN60950 supplementary insulation requirements for operating voltages up to 250 Vrms

Applications

- ADSL - TI TNET D4000 C/P

SM535-1 ADSL Line Transformers

Electrical Specifications @ 25 °C

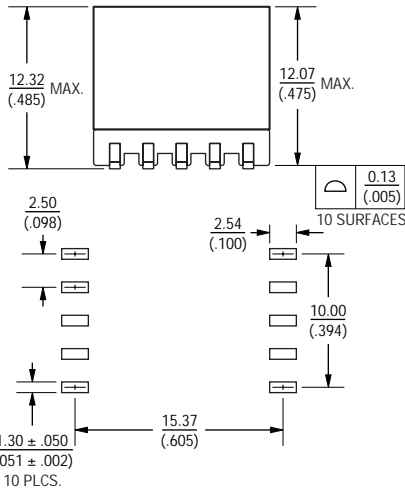
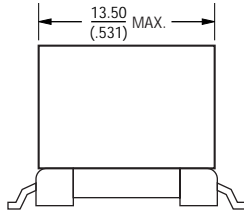
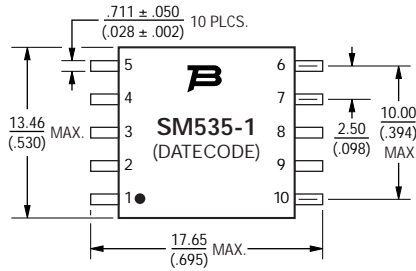
Turns Ratio
 (10-7):(1-4) chip to line 1:1.95 ± 2 %
 OCL @ 10 kHz, 0.1V
 (1-4) 1.5 mH ± 10 %
 Leakage Inductance @ 10 kHz 0.1 V
 (1-4) with (10-7) shorted.. 12.0 µH max.
 Interwinding Capacitance
 @ 10 kHz, 0.1 V (1-10) 35 pF max.
 Isolation Voltage 1500 Vrms max.
 DC Resistance 2.0 Ω max.
 Application CO

Packaging Specifications

Tape & Reel* 200 pcs./reel

*"E" suffix at end of part number designates tape & reel packaging, e.g. SM535-1E.

Product Dimensions

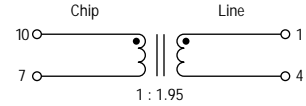


Recommended PAD layout

DIMENSIONS ARE: $\frac{\text{MM}}{\text{(INCHES)}}$

TOLERANCE: $\pm \frac{0.25}{(.010)}$

Electrical Schematic



Reliable Electronic Solutions

Asia-Pacific: TEL +886-2 25624117
 FAX +886-2 25624116

Europe: TEL +41-41 7685555
 FAX +41-41 7685510

N. America: TEL +1-909 781-5500
 FAX +1-909 781-5700

www.bourns.com