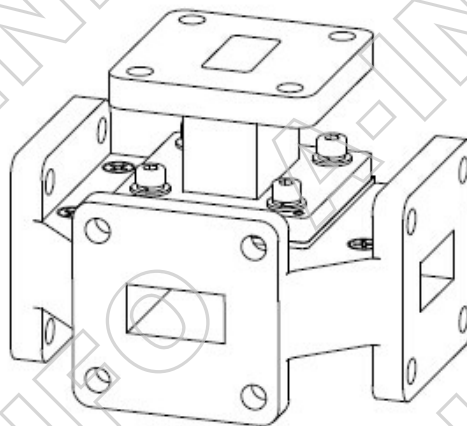
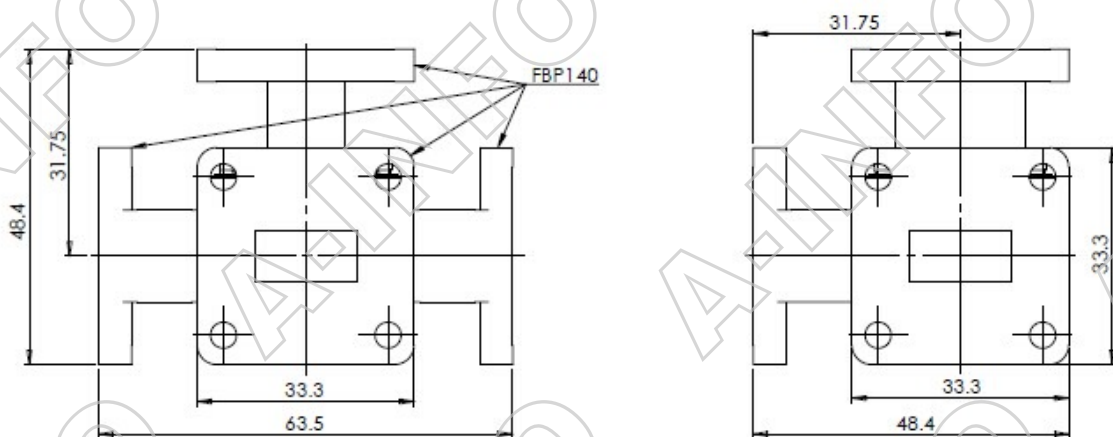


Technical Specification

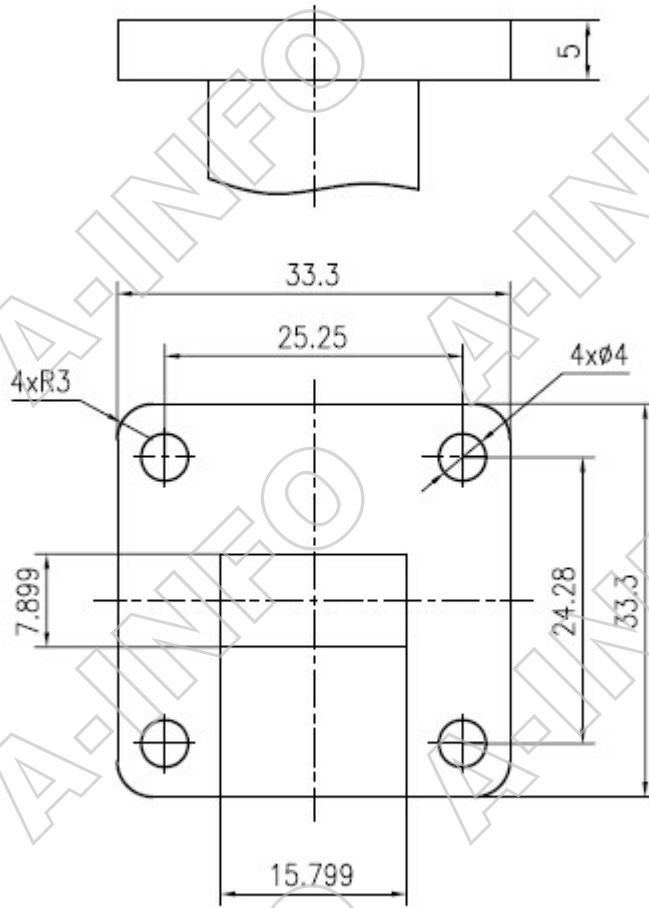


Frequency Range(GHz)	12.4 - 18.0
VSWR H-Plane	1.3:1 Typ.
VSWR E-Plane	1.5:1 Typ.
Unbalance(dB)	±0.4
Isolation(dB)	30
Band Width	FULL
Waveguide	WR62
Flange Type	FBP140
Size(mm)	63.5 x 48.4 x 48.4
Material	Al
Net Weight(Kg)	0.12 Around

Outline Drawing (Size: mm)



Flange Drawing (Size: mm)

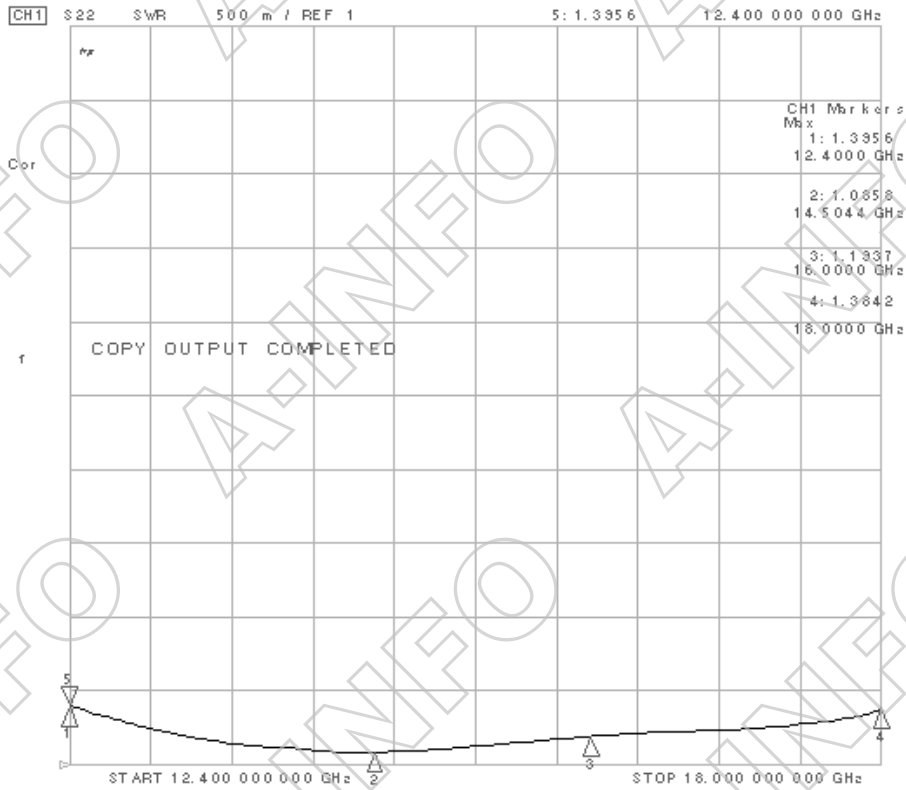


FBP140

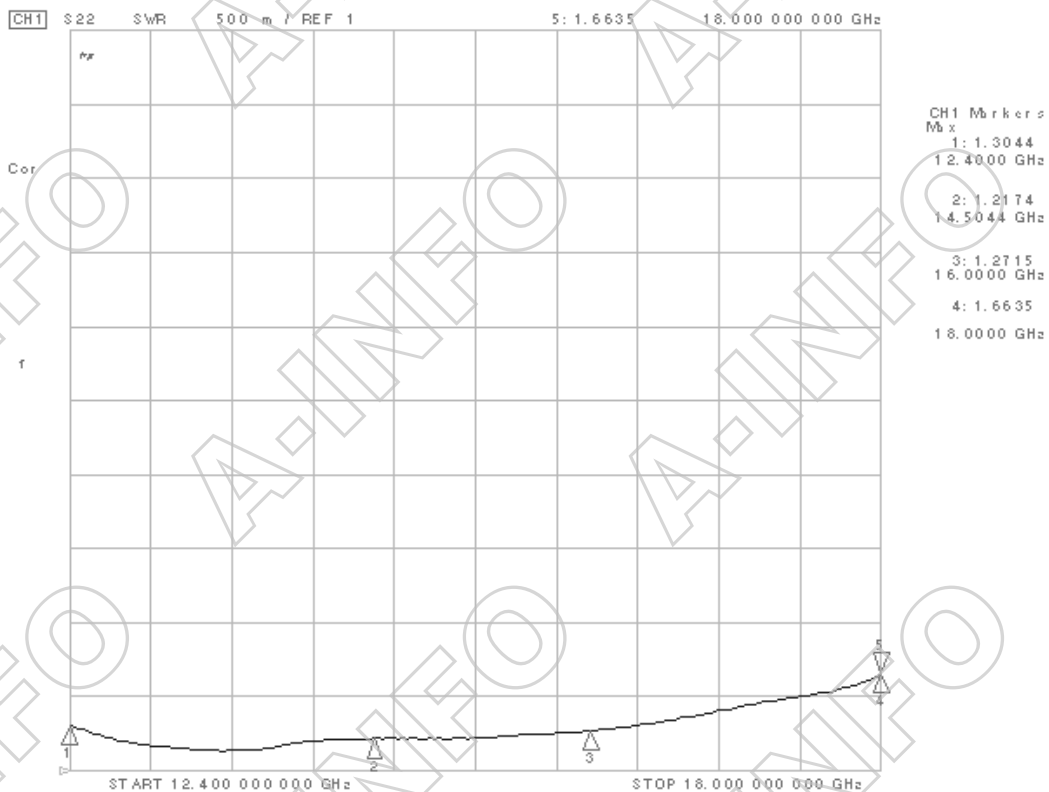
Test Results

1. VSWR

H-Plane

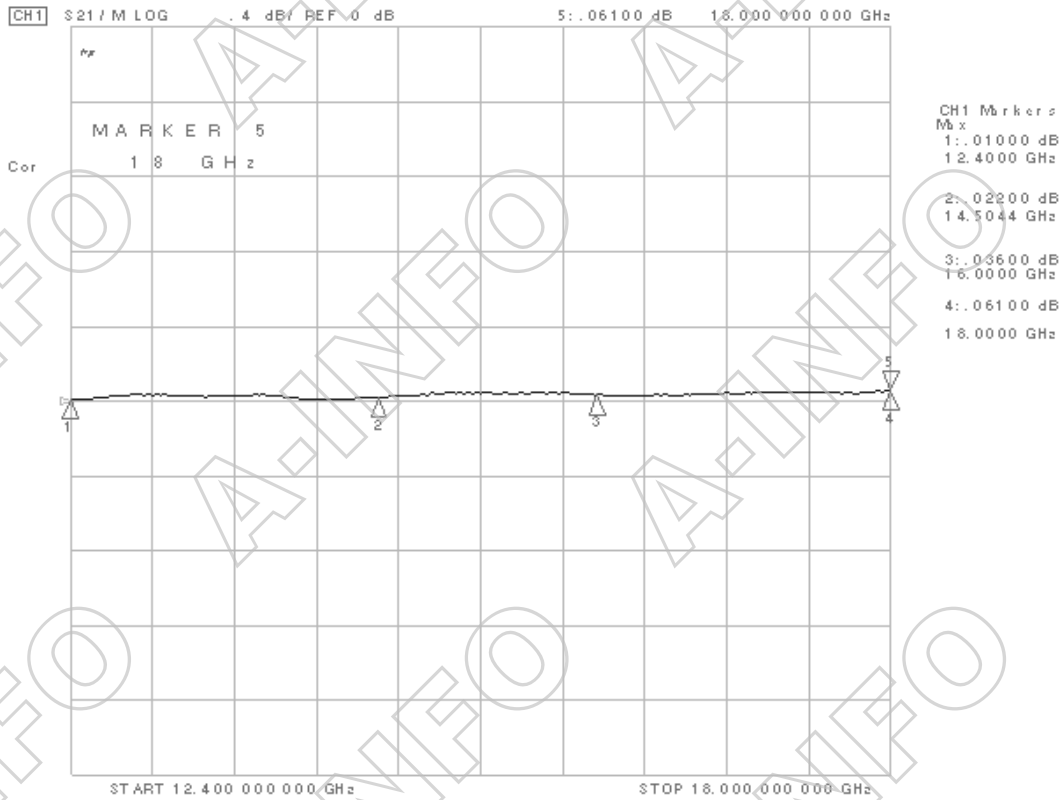


E-Plane

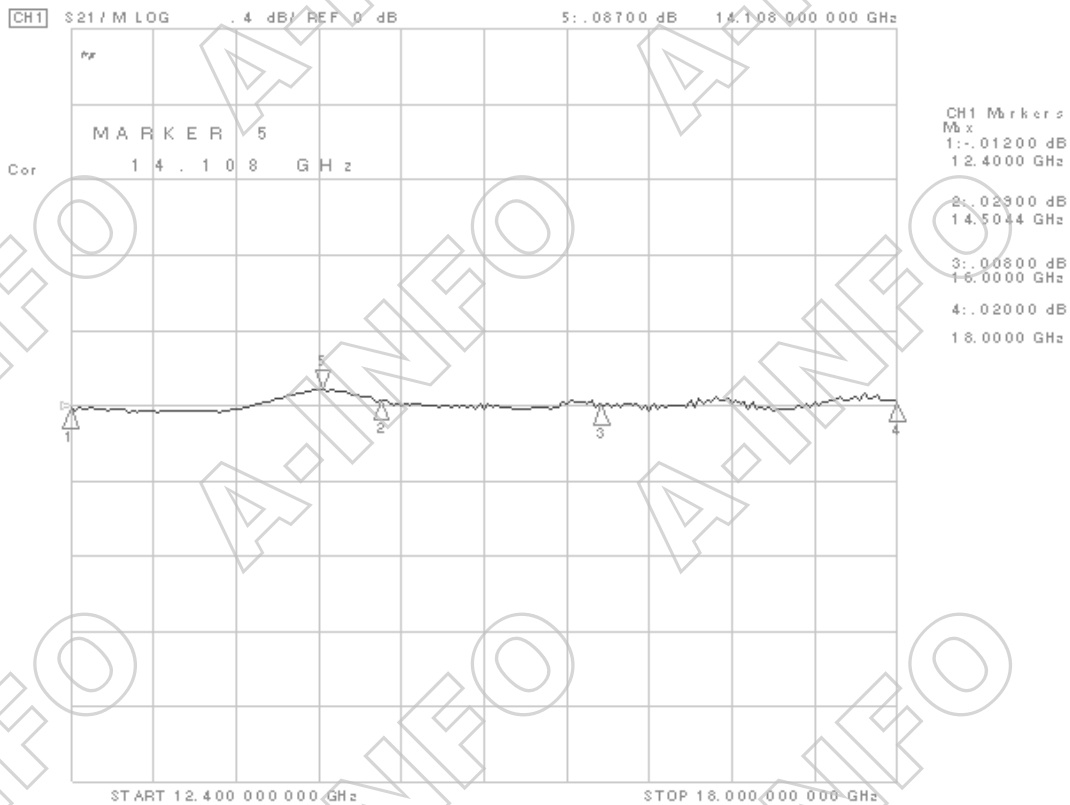


2. Unbalance

H-Plane



E-Plane



3. Isolation

