

THIS DRAWING IS UNPUBLISHED.

RELEASED FOR PUBLICATION

2013

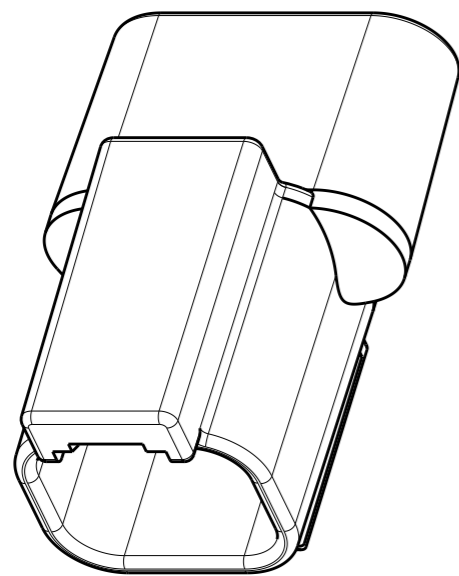
LOC -

DIST -

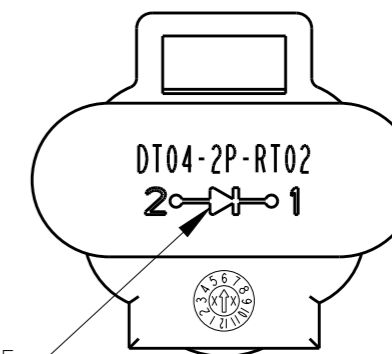
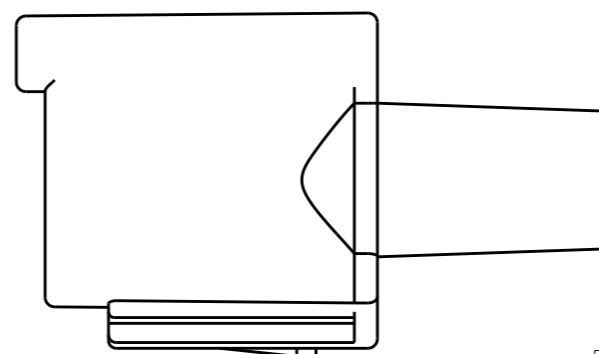
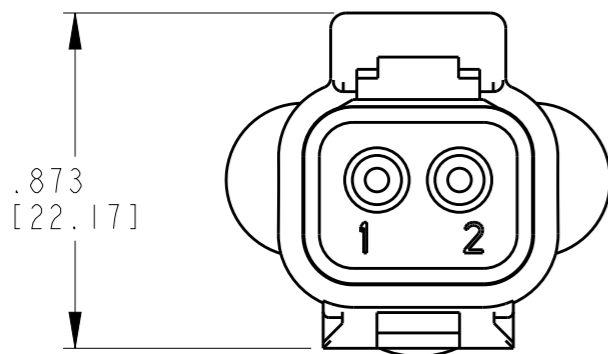
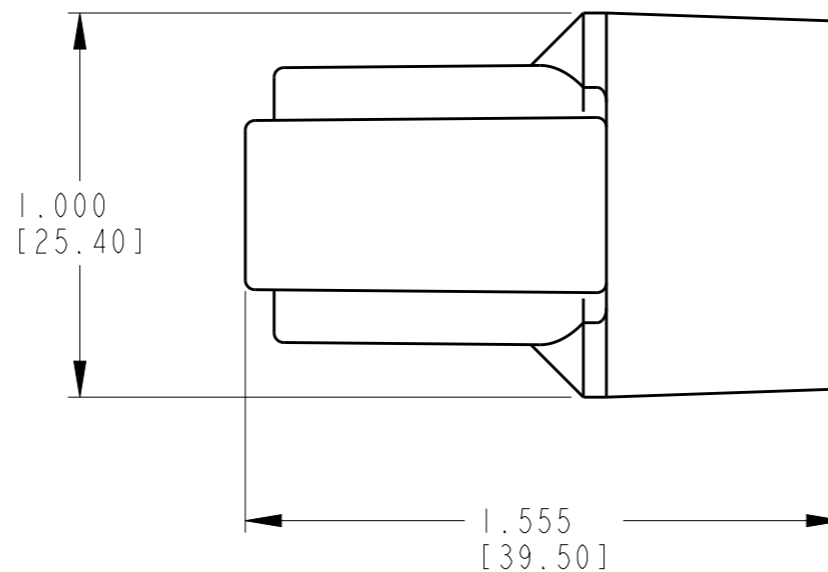
REVISIONS

© COPYRIGHT 2013 BY - TE Connectivity ALL RIGHTS RESERVED.

P	LTR	DESCRIPTION	DATE	DWN	APVD
B		REVISED PER E.O. P16218	30JUL1999		CLW
C		REVISED PER E.O. P19162	15MAR2006		RDR
D1		REVISED PER ECO-16-005960	18APR2016	KM	DM
E		REVISED PER ECR-16-017570	12DEC2016	KM	DM



3D VIEW



DIODE POLARITY REFERENCE

6. MOLDED-IN DIODE ELECTRICAL CHARACTERISTICS  
 PEAK REVERSE VOLTAGE = 400.0 V MAX.  
 PEAK FORWARD VOLTAGE = 1.0 V MAX.  
 AVERAGE FORWARD CURRENT = 3.0 A MAX.

5. MATERIAL: PA GF BLACK

4. TEMPERATURE RANGE : -55°C TO +125°C.

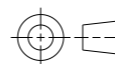
3. RECEPTACLE MATES WITH DT06-2S-\*\*\*\*.

2. ALL DIMENSIONS W/O TOLERANCE ARE +/- .025 [+/- 0.63]

1. ALL DIMENSIONS ARE INCHES (METRIC).

THIS DRAWING IS A CONTROLLED DOCUMENT.

DIMENSIONS:  
INCHES [mm]



TOLERANCES UNLESS OTHERWISE SPECIFIED:

0 PLC	±.
1 PLC	±.
2 PLC	±.
3 PLC	±.
4 PLC	±.
ANGLES	±.

MATERIAL -

FINISH -

DWN K. McKEE 17DEC2013

CHK K. McKEE 25AUG2015

APVD D. MEYER 25AUG2015

PRODUCT SPEC -

APPLICATION SPEC -

WEIGHT 10.37 g

Customer Drawing



TE Connectivity

NAME  
TERMINATING RECEPTACLE, 2-PIN  
DT SERIES

SIZE	CAGE CODE	DRAWING NO	RESTRICTED TO
------	-----------	------------	---------------

A3	4AFU8	DT04-2P-RT02	-
----	-------	--------------	---

SCALE	SHEET	OF	REV
2:1	1	1	E