

DA8009 & DA8042/43

8-12GHz ANTENNAS

A complementary range of horn antennas is offered at 8-12GHz frequency bands. They are designed to provide the optimum input conditions and radiation characteristics for the DA8504 and DA8506 Series of modules. However they are equally suitable for use with fixed or tunable oscillators from the GPS professional oscillator range.

GENERAL CHARACTERISTICS

Operating Temperature Range	0° to +55°C
Waveguide Size	WG 16 (WR 90)
Flange	Compatible with UG 39/U or Equivalent

FEATURES

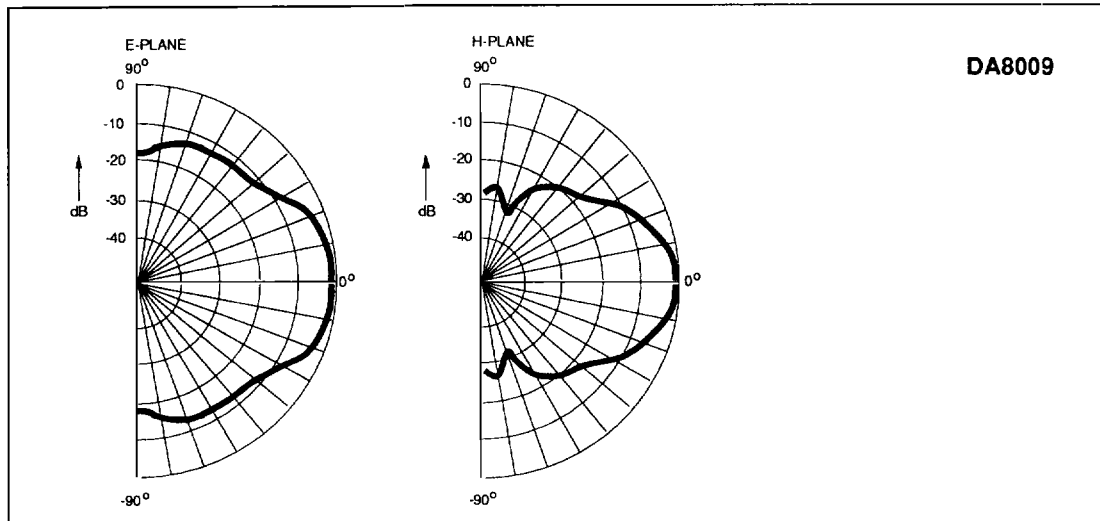
- Low Sidelobe Levels
- Low Input VSWR
- Choice of Gain Value

SPECIFICATION at 25°C unless otherwise stated

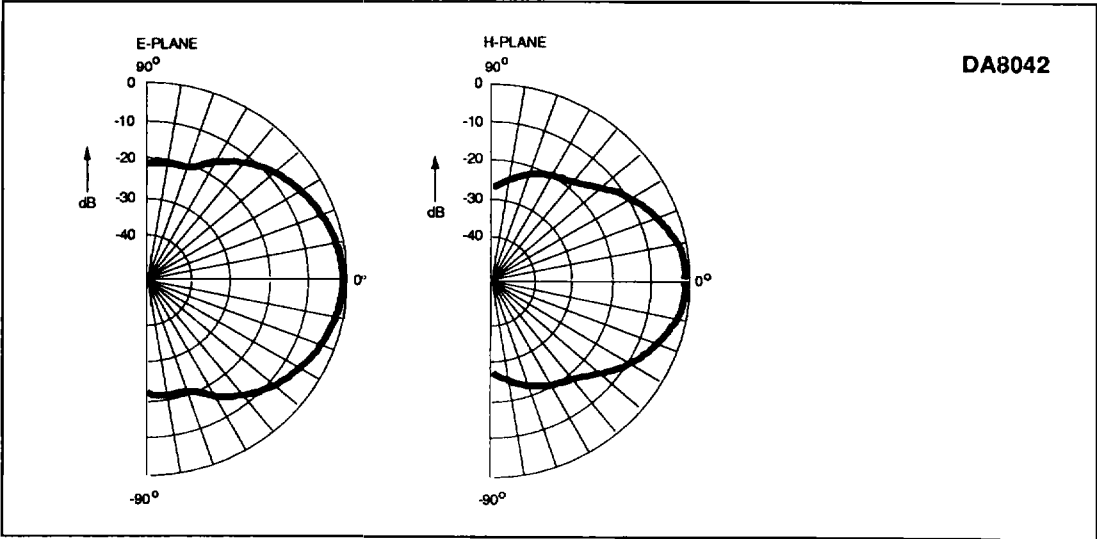
Parameter	DA8009	DA8042	DA8043	Units
Centre Frequency ¹	8-12	8-12	8-12	GHz
Gain ²	15	10	12	dB Nom
3dB Beamwidth - E Plane	27	37	32	Degrees
- H Plane	30	50	40	Degrees
VSWR	1.3:1	1.3:1	1.3:1	Typ
Type	Horn	Horn	Horn	

¹All parameters are measured at 10.6GHz.

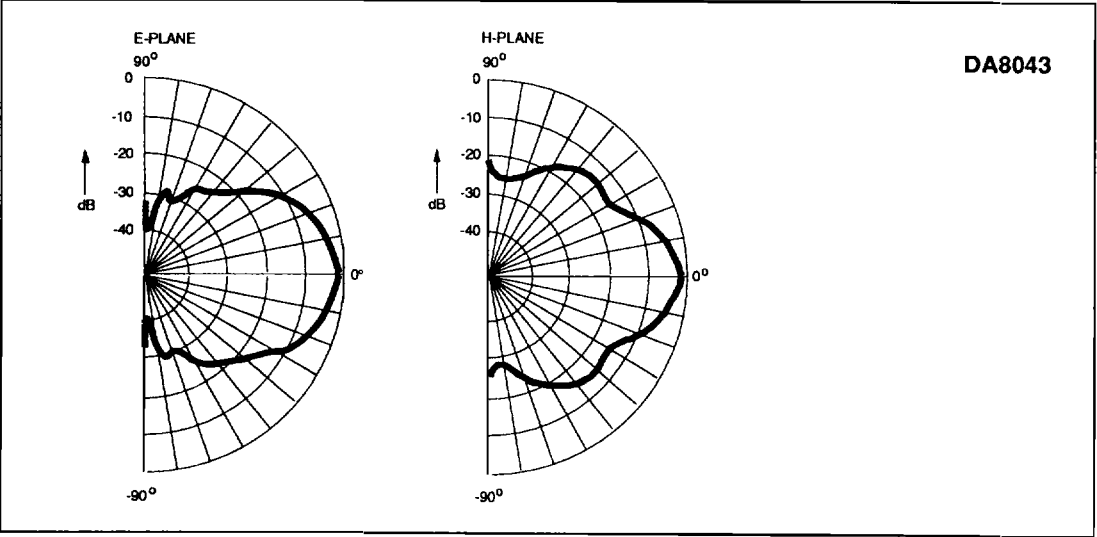
²Gain relative to isotropic radiator.



DA8009 & DA8042/43

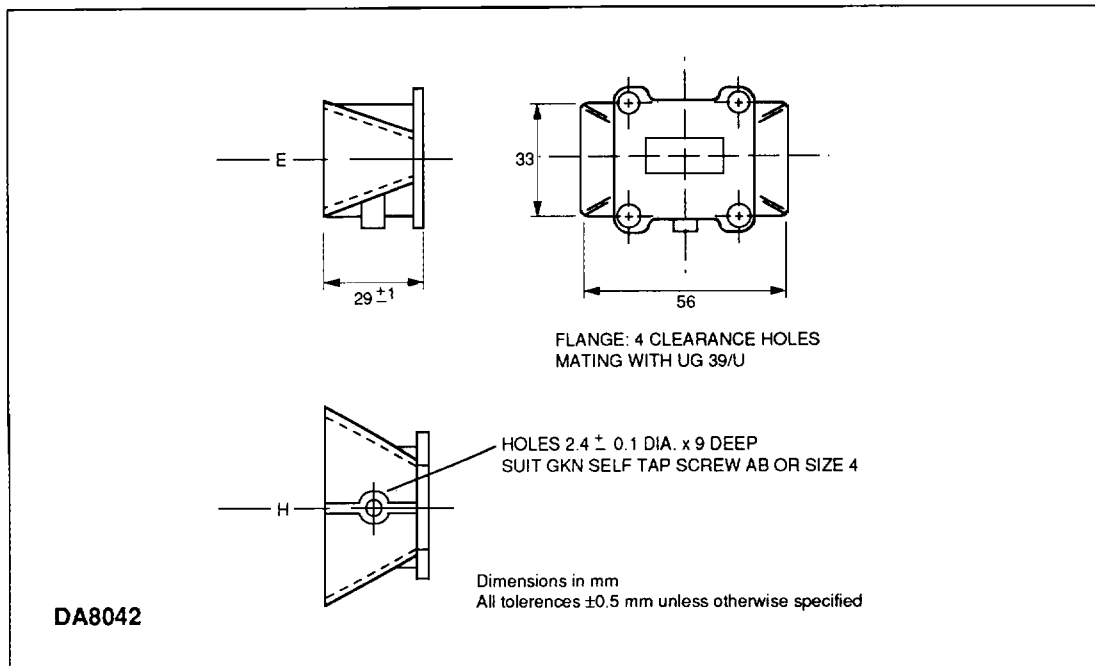
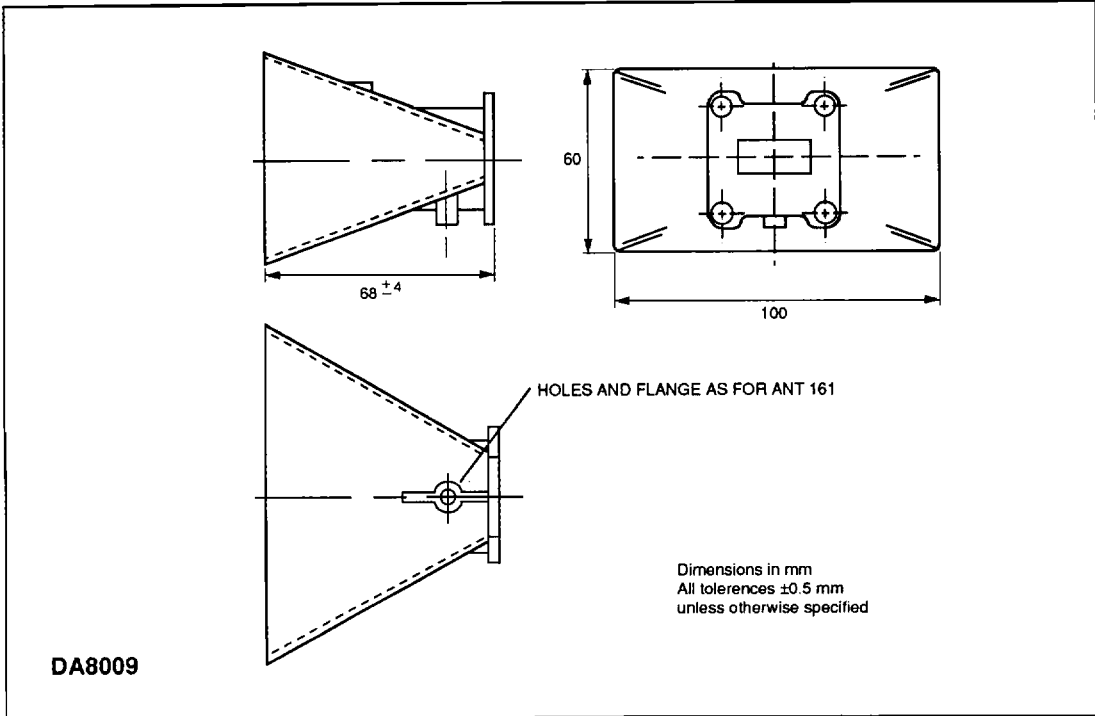


DA8042



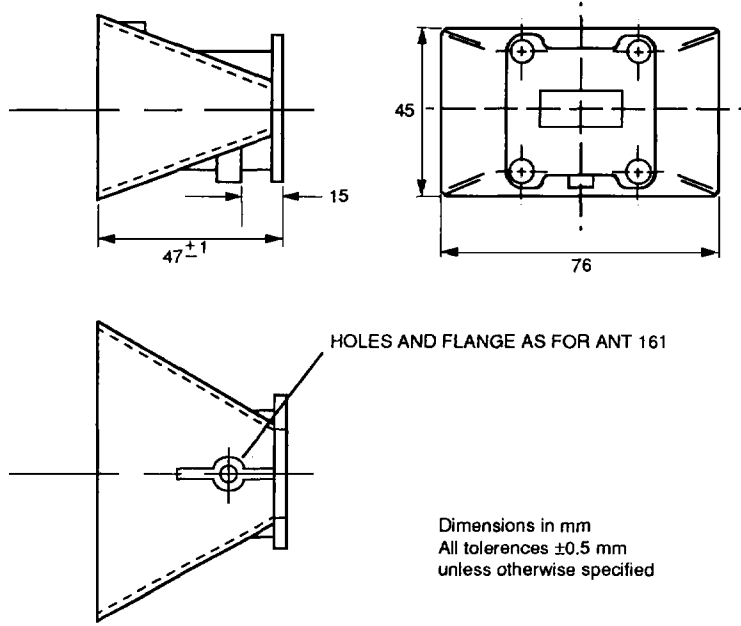
DA8043

PACKAGE DETAILS



DA8009 & DA8042/43

PACKAGE DETAILS (Continued)



DA8043