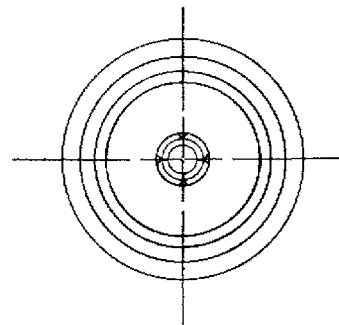
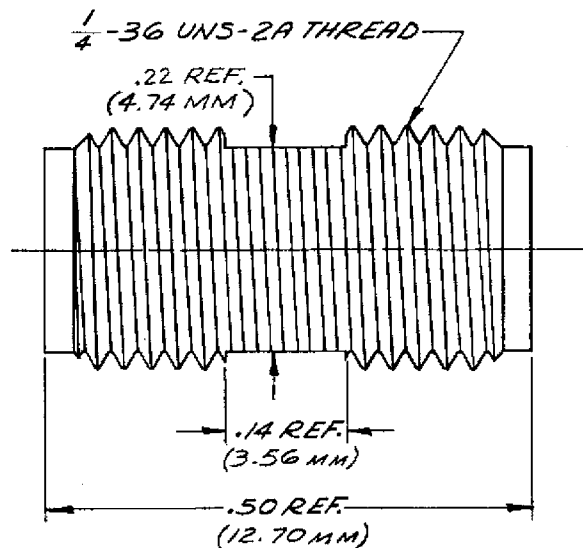


ISSUE	CHANGES
0	ER 10497 O.S. 13 DEC 71
1	CN 26070 C EAT 1 MAY 84

879-3

GSD

GSD



NOTES:

1. MATERIALS:
INSULATOR- TEFLON L-P-403.
ALL METAL PARTS- BERYLLIUM COPPER QQ-C-530.
2. FINISHES:
ALL METAL PARTS- HARD GOLD PLATE PER MIL-G-45204.
3. ELECTRICAL CHARACTERISTICS:
NOMINAL IMPEDANCE- 50 Ω
FREQUENCY RANGE- DC TO 12.4 GHz.

UNLESS OTHERWISE SPECIFIED:

1. TOLERANCES: FRACTIONS & 2 PLACE DECIMALS ± .010
3 PLACE DECIMALS ± .004 ANGLES ± 0°30'
- T. I. R. CONCENTRICITY OF ANY 2 DIAMETERS MAY NOT EXCEED HALF THE SUM OF THEIR TOLERANCES.

2. REMOVE ALL BURRS, BREAK SHARP EDGES .005 MAX.
3. NO FILLETS PERMITTED.
4. SURFACE ROUGHNESS 63 MICROINCHES RMS MAX.
5. ALL DIMENSIONS PRIOR TO PLATING.
6. ALL PLATING IN ACCORDANCE WITH KER 10004.

SCALE:
APPROX. SURFACE AREA:
USED ON:
REF:

SMA
ADAPTER (F-F)

DRAWN: <i>[Signature]</i>	DATE: 12 JUL 82
APPR: MJB	DATE: 16 JUL 82

KINGS
ELECTRONICS CO., INC
HICKORY, N.C. 27542

879-3