

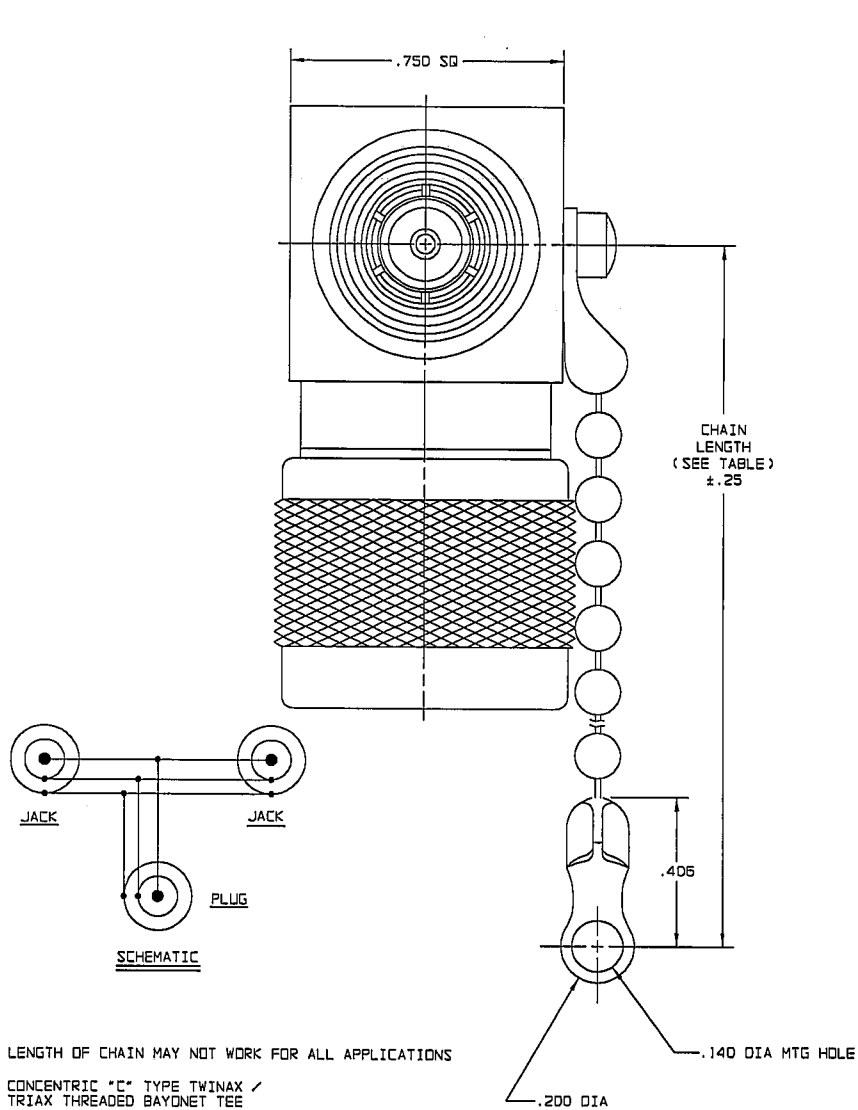
DASH NO	MODEL NO	DESCRIPTION
-1	BN383-1	NO CHAIN
-2		NOT APPLICABLE
-3		NOT APPLICABLE
-4	BN383-4	3.0 BRASS CHAIN
-5		NOT APPLICABLE
-6	BN383-6	6.0 BRASS CHAIN
-7	BN383-7	6.0 NYLON CHAIN



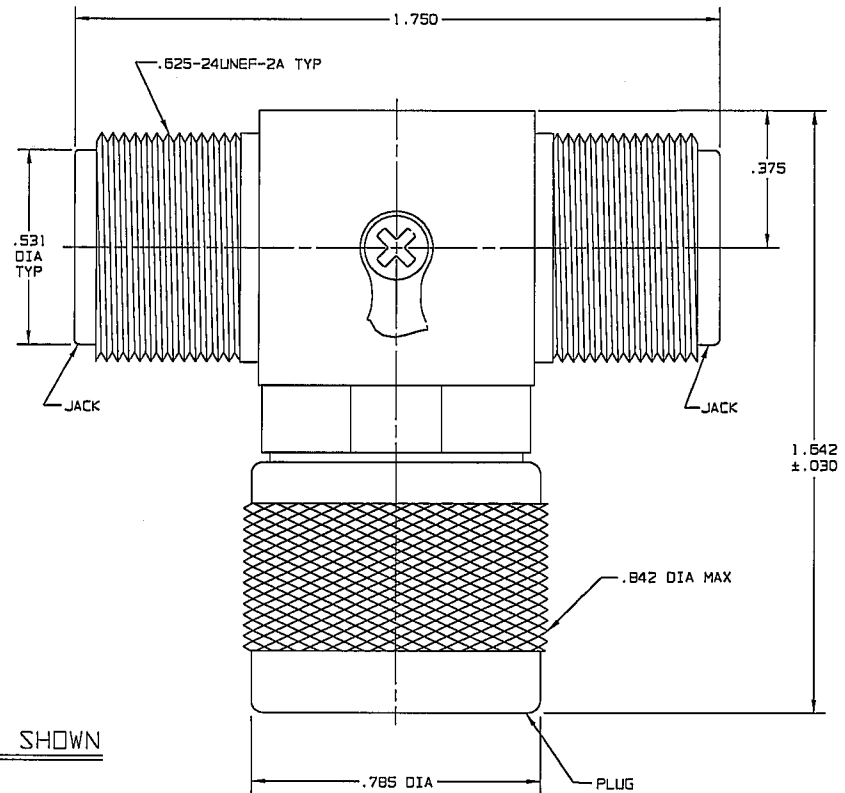
DATA CONTAINED IN THIS DOCUMENT IS PROPRIETARY TO TROMPETER ELECTRONICS INC. AND SHALL NOT BE DISCLOSED, COPIED OR USED FOR PROCUREMENT OR MANUFACTURE WITHOUT EXPRESS WRITTEN PERMISSION OF TROMPETER ELECTRONICS INC.

REVISIONS		3-0265	SH 1
REV	DESCRIPTION	DATE	APPROVED
C	REVISED PER 15034	4-22-03	MM

# RED INDICATES ORIGINAL



-6 SHOWN



⚠ LENGTH OF CHAIN MAY NOT WORK FOR ALL APPLICATIONS

3. CONCENTRIC "C" TYPE TWINAX / TRIAX THREADED BAYONET TEE
2. FINISH: TFS-1A (NICKEL)
1. ALL DIM ARE IN INCHES

INTERPRET DRAWING PER MIL-STD-100 DIMENSIONS ARE IN INCHES AND INCLUDE FINISH THICKNESS UNLESS OTHERWISE SPECIFIED

TOL: UNLESS SPECIFIED  
 .XX  
 .XXX ± .005  
 .XXXX  
 ANGLES



DRAWN AAH

DATE 4-18-03

MATERIAL:

TITLE:

CHECKED

4-18-03

BN383

QUALITY

4/22/03

FINISH:

MANAGER

4/22/03

SIZE CAGE CODE  
**A 14949**

DRAWING NO.  
 3-0265

REV.  
 C

APPROVED

4/21/03

SCALE 4/1

DATE: 9-6-84

SHEET 1C

NEXT ASSY

CAD FILE NO. 3-0265C

DO NOT SCALE DWG