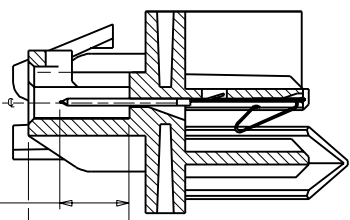
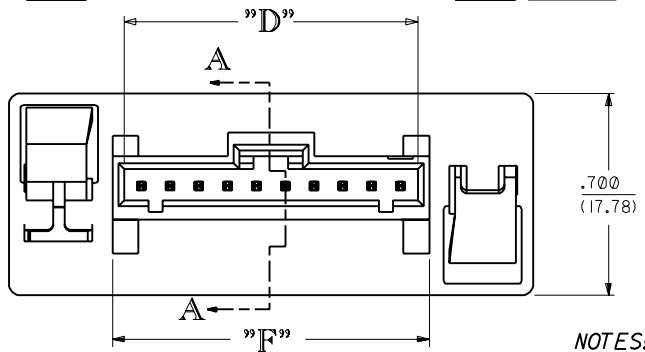
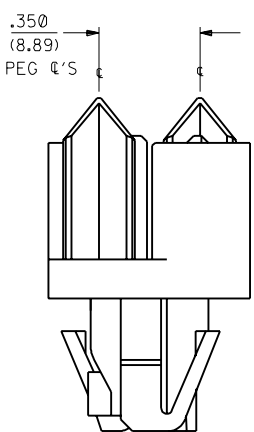
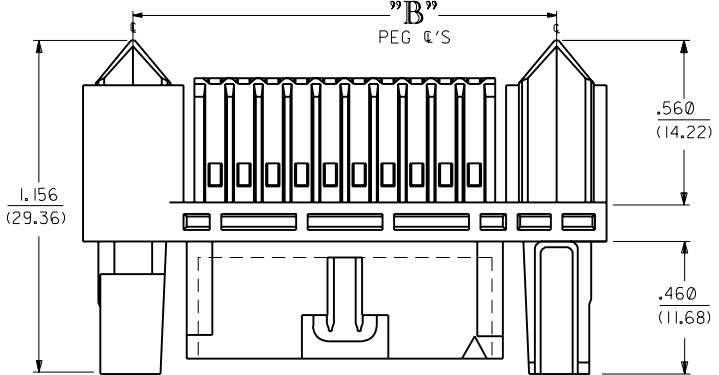


**STANDARD SL
OPTION (TYPE "A")
73099-02XX**

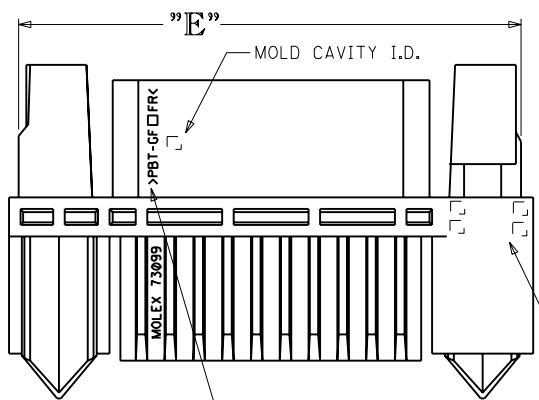


SECTION A-A

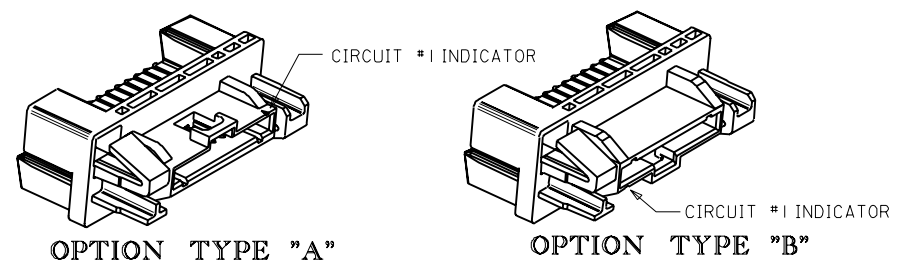
NOTES:

1. MATERIAL:
HOUSING: GLASS FILLED POLYESTER UL 94V-0, COLOR BLACK.
TERMINAL: BERYLLIUM COPPER
2. PLATING:
.000050 u" (1.27 MICRON) MIN. GOLD PLATE ON CANTILEVER AREA, .000015 MIN. GOLD PLATE ON SELECT SL TAIL AREA, NICKEL PLATE OVER-ALL.
3. SEE SHEET 4 FOR PART NUMBERS AND TABULATED DIMENSIONS.
4. PRODUCT CONFORMS TO PS-73099-****.
5. HOT STAMP DATE CODE IS WEEK, YEAR.
6. RECYCLING LOGO TO APPEAR WHERE ROOM IS AVAILABLE.
7. SEE SHEET 3 FOR PANEL MOUNTING AND MATING DETAILS.
8. 73099-**** CONNECTOR ALSO MATES WITH "SL" SERIES 70066, 70400, AND 70430.
9. PRODUCT DESCRIBED AS "STANDARD" MATES ONLY WITH EQUIVALENT CKT. SIZE CONNECTOR (10 CKT. DRAWER CONNECTOR TO 10 CKT. SL). PRODUCT DESCRIBED AS "CUSTOM" ALLOWS A PREDETERMINED COMBINATION OF SL CONNECTORS WITH VARYING CIRCUIT SIZES TO BE USED WHEN THE COMBINATION'S TOTAL CIRCUITS ADD UP TO THE DRAWER CONNECTOR'S CIRCUIT SIZE (10 CKT. DRAWER CONNECTOR TO TWO 2 CKT. & ONE 6 CKT. SL).

DATE CODE
SEE NOTE 5

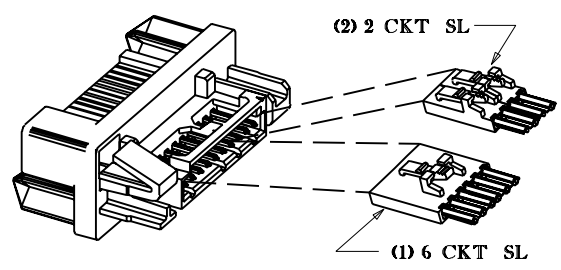


SEE NOTE 6.



OPTION "A" VS OPTION "B"

OPTION "A" MATED TO OPTION "A": CKT.1 MATCHES WITH CKT. 1
OPTION "A" MATED TO OPTION "B": CKT.1 MATCHES WITH CKT. 10
(BOTH OPTIONS "A" AND "B" PICTURED ABOVE ARE OF STANDARD DRAWER VARIATION - SEE NOTE 9.)



STANDARD VS CUSTOM

SEE NOTE 8. AND 9. (CUSTOM 10 CKT. PICTURED)

C1	REV MAT'L MRPK UDT1999-0433 KAS 98/12/15
C	VOID SHT 5. GEN REL ELO PER U80373 97/9/9
BI	DATE CODE CHANGE PER U70790 ELO 1/20/97
B	REVISED DRAWING PER U60263 09/13/95 P.A.R.
4 C	RELEASE DRAWING PER U50912 03/13/95 MURPHY
3 C	A
2 CI	I
1 CI	X-RELEASE DRAWING PER U40562 11/21/94

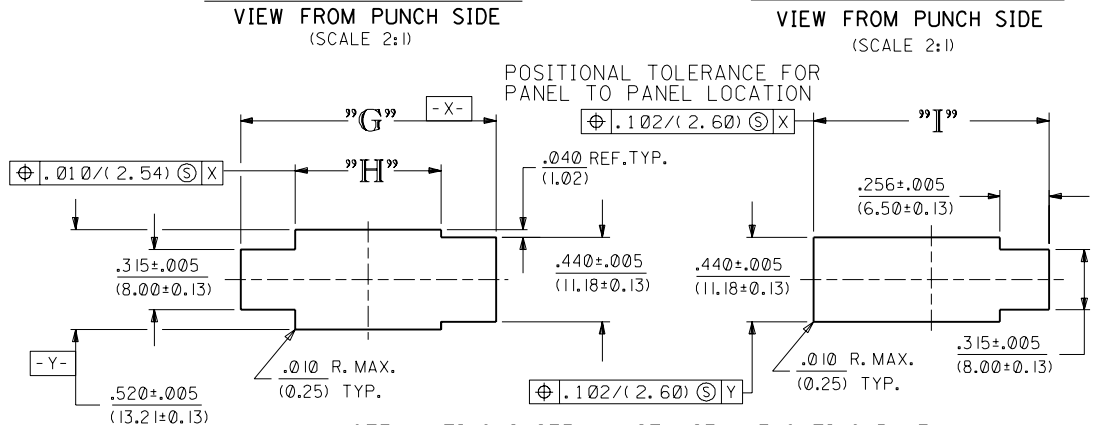
MFG. SH. REV. LTR. REVISIONS

DIMENSIONS SHOWN (METRIC) INCH UNLESS OTHERWISE SPECIFIED TOLERANCES: ANGULAR ± 1/2°		TITLE HERMAPHRODITIC "SL" DRAWER CONNECTOR SALES ASSEMBLY	
5 PLACE ± .010	INCH	METRIC	---
2 PLACE ± .014 ± 0.25	---	---	---
1 PLACE --- ± 0.36	---	---	---
DRAFT WHERE APPLICABLE MUST REMAIN WITHIN DIMENSIONS		MOLEX INCORPORATED L15LE,ILL. 60532 U.S.A.	
DRWG. PAR	CHK'D. PAR	DRWG. NO.	DATE
BY: JWN	SCALE: 3: 1	SEE CHART	10/15/95
APP'D. BY:	SCALE:	FILE NAME: 73099	DIV. DA
THIS DRAWING CONTAINS INFORMATION THAT IS PROPRIETARY TO MOLEX INC. AND SHOULD NOT BE USED WITHOUT WRITTEN PERMISSION.		SHEET NO. 1 of 4	

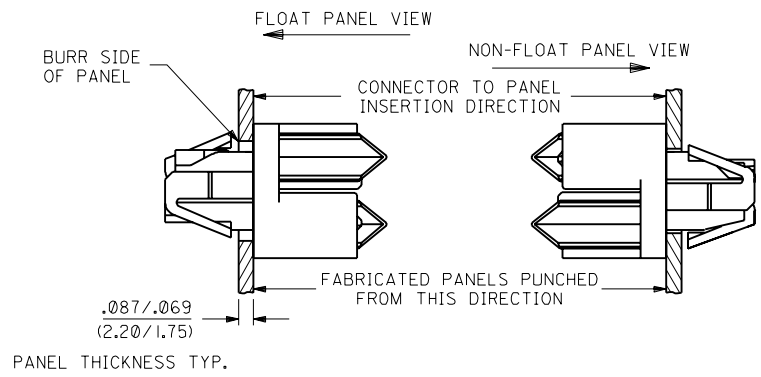
PANEL DIMENSIONS						
CKT. SIZE	DIM. "G" ± 0.10 (± 0.25)		DIM. "H" ± 0.10 (± 0.25)		DIM. "I" ± 0.10 (± 0.25)	
	INCH	(MM)	INCH	(MM)	INCH	(MM)
04	1.230	(31.24)	.660	(16.76)	1.128	(28.65)
06	1.430	(36.32)	.860	(21.84)	1.328	(33.73)
08	1.630	(41.40)	1.060	(26.92)	1.528	(38.81)
10	1.830	(46.48)	1.260	(32.00)	1.728	(43.89)
12	2.030	(51.56)	1.460	(37.08)	1.928	(48.97)

FLOATING PANEL VIEW

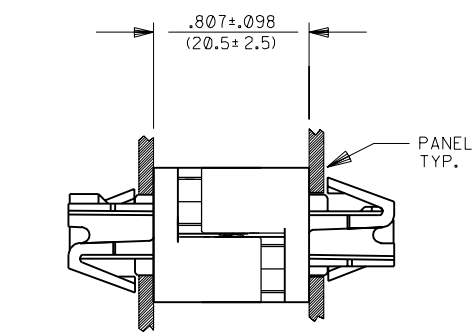
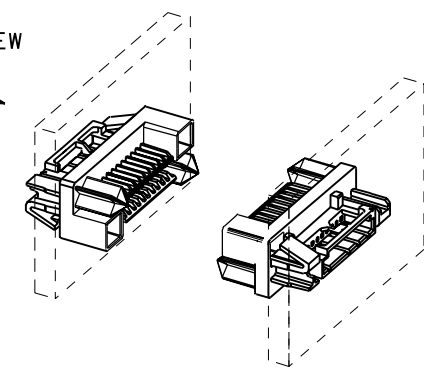
NON-FLOATING PANEL VIEW



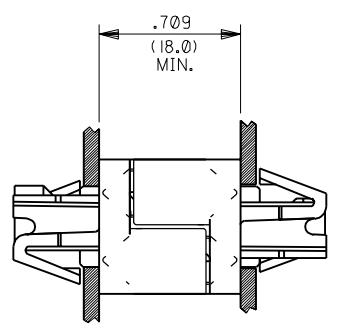
NOTE: MATING SYSTEM MUST USE A FLOATING PANEL IN CONJUNCTION WITH A NON-FLOATING PANEL.



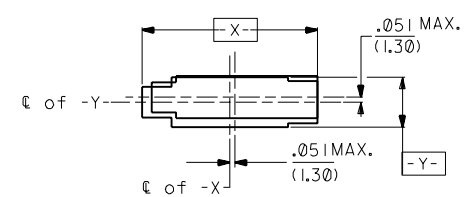
PANEL OFFSET VIEW



OPERATING PANEL CLOSURE DIMENSIONS



FULLY CLOSED CONNECTOR



DIMENSIONS SHOWN (METRIC) INCH		UNLESS OTHERWISE SPECIFIED TOLERANCES ANGULAR \pm		REVISE ONLY ON CAD SYSTEM	
INCH	METRIC	INCH	METRIC	MFG. SH.	REV. LTR.
3 PLACE $\pm .010$	---	---	---		
2 PLACE $\pm .014$	± 0.25				
1 PLACE ---	± 0.36				
DRAFT WHERE APPLICABLE MUST REMAIN WITHIN DIMENSIONS		TITLE			
DRAWN BY: PAR		HERMAPHRODITIC "SL" DRAWER CONNECTOR SALES ASSEMBLY			
CHECKED BY: PAR		MOLEX INCORPORATED			
SCALE: :		PART NO. 115LEJLL 60532			
DATE: 12/09/99		SHEET NO. 3			
BY: JWN		DATE: 10/15/95			
FILE NAME: SDA-73099-0		DIV. TC			
THIS DRAWING CONTAINS INFORMATION THAT IS PROPRIETARY TO MOLEX INC. AND SHOULD NOT BE USED WITHOUT WRITTEN PERMISSION.		SIZE: C			

REV.	DESCRIPTION
C	SEE SHEET I
B	SEE SHEET I
A	SEE SHEET I

"STANDARD" DRAWER
PART NUMBERS

ASSEMBLY PART NUMBERS AND
DIMENSIONS BY CIRCUIT SIZE

"CUSTOM" DRAWER *
PART NUMBERS
(SEE NOTE 9., SHEET 1.)

S T A T	PART NUMBER	CKT. SIZE	OPTION TYPE (SEE SHEET 1)	DIM. "A"		DIM. "B"		DIM. "C"		DIM. "D"		DIM. "E"		DIM. "F"		S T A T	PART NUMBER	CKT. SIZE	OPTION TYPE (SEE SHEET 1)
				INCH	(MM)	INCH	(MM)	INCH	(MM)	INCH	(MM)	INCH	(MM)	INCH	(MM)				
X	SAME AS CUSTOM 04	04	A	1.220	(30.99)	.870	(22.10)	.300	(7.62)	.420	(10.67)	1.113	(28.27)	.500	(12.70)	X	73099-0003	04	A
X		04	B	1.220	(30.99)	.870	(22.10)	.300	(7.62)	.420	(10.67)	1.113	(28.27)	.500	(12.70)	X	73099-0004	04	B
X	73099-0209	06	A	1.420	(35.56)	1.070	(27.18)	.500	(12.70)	.620	(15.75)	1.313	(33.35)	.700	(17.78)	X		06	A
X	73099-0210	06	B	1.420	(35.56)	1.070	(27.18)	.500	(12.70)	.620	(15.75)	1.313	(33.35)	.700	(17.78)	X		06	B
X	73099-0213	08	A	1.620	(41.15)	1.270	(32.26)	.700	(17.78)	.820	(20.83)	1.513	(38.43)	.900	(22.86)	X		08	A
X	73099-0214	08	B	1.620	(41.15)	1.270	(32.26)	.700	(17.78)	.820	(20.83)	1.513	(38.43)	.900	(22.86)	X		08	B
X	73099-0217	10	A	1.820	(46.23)	1.470	(37.74)	.900	(22.86)	1.020	(25.91)	1.713	(43.51)	1.100	(27.94)	X	73099-0001	10	A
X	73099-0218	10	B	1.820	(46.23)	1.470	(37.74)	.900	(22.86)	1.020	(25.91)	1.713	(43.51)	1.100	(27.94)	X	73099-0002	10	B
	73099-0221	12	A	2.020	(51.31)	1.670	(42.42)	1.100	(27.94)	1.220	(30.99)	1.913	(48.59)	1.300	(33.02)	X		12	A
X	73099-0222	12	B	2.020	(51.31)	1.670	(42.42)	1.100	(27.94)	1.220	(30.99)	1.913	(48.59)	1.300	(33.02)	X		12	B

*X STATUS: PART NUMBERS WITH AN *X IN THE STATUS COLUMN OR CIRCUIT SIZES WITH NO ASSOCIATED PART NUMBER DO NOT HAVE EXISTING TOOLING OR PRODUCTION CAPACITY.

* PREDETERMINED *SL* MATING ASSEMBLIES FOR *CUSTOM* 10 ARE LISTED ON SHEET 2. COMBINATIONS OF *SL* MATING CIRCUIT SIZES FOR OTHER *CUSTOM* DRAWER ASSEMBLIES HAVE TO BE DETERMINED.

C	SEE SHEET 1
B1	SEE SHEET 1
B	SEE SHEET 1
A	SEE SHEET 1

DIMENSIONS SHOWN (METRIC) INCH UNLESS OTHERWISE SPECIFIED TOLERANCES ANGULAR ±		REVISE ONLY ON CAD SYSTEM																																		
<table border="1"> <tr> <td>3 PLACE</td> <td>± .010</td> <td>---</td> </tr> <tr> <td>2 PLACE</td> <td>± .014</td> <td>± 0.25</td> </tr> <tr> <td>1 PLACE</td> <td>---</td> <td>± 0.36</td> </tr> </table>		3 PLACE	± .010	---	2 PLACE	± .014	± 0.25	1 PLACE	---	± 0.36	<table border="1"> <tr> <td>FILE NAME</td> <td>73099-0222</td> <td>SHEET NO.</td> <td>4</td> <td>DATE</td> <td>10/15/95</td> </tr> <tr> <td>DRWG. NO.</td> <td>SDA-73099-0</td> <td colspan="4">TITLE</td> </tr> <tr> <td colspan="6">HERMAPHRODITIC "SL" DRAWER CONNECTOR SALES ASSEMBLY</td> </tr> <tr> <td colspan="2">MOLEX INCORPORATED</td> <td colspan="4">U.S.A.</td> </tr> </table>		FILE NAME	73099-0222	SHEET NO.	4	DATE	10/15/95	DRWG. NO.	SDA-73099-0	TITLE				HERMAPHRODITIC "SL" DRAWER CONNECTOR SALES ASSEMBLY						MOLEX INCORPORATED		U.S.A.			
3 PLACE	± .010	---																																		
2 PLACE	± .014	± 0.25																																		
1 PLACE	---	± 0.36																																		
FILE NAME	73099-0222	SHEET NO.	4	DATE	10/15/95																															
DRWG. NO.	SDA-73099-0	TITLE																																		
HERMAPHRODITIC "SL" DRAWER CONNECTOR SALES ASSEMBLY																																				
MOLEX INCORPORATED		U.S.A.																																		
DRAFT WHERE APPLICABLE MUST REMAIN WITHIN DIMENSIONS		PART NO. 69532																																		
DRWG. BY: PAR	CHK'D BY: PAR	SCALE: :																																		
APP'D BY: JWN		THIS DRAWING CONTAINS INFORMATION THAT IS PROPRIETARY TO MOLEX INC. AND SHOULD NOT BE USED WITHOUT WRITTEN PERMISSION.																																		

73099