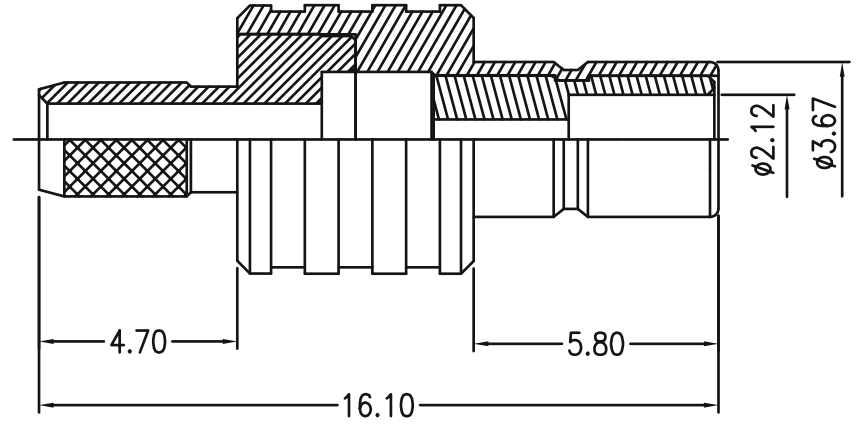
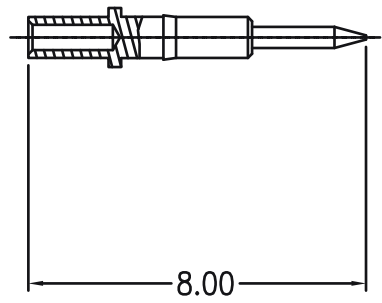
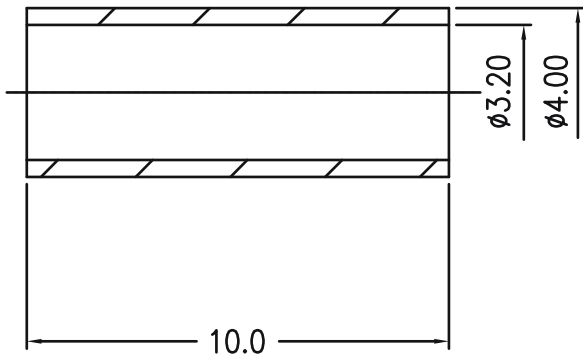


1 2 3 4 5 6 7 8 9 0

J
I
H
G
F
E
D
C
B
A



SMB-JC-174-LF
LEADFREE

1	CONTACT	BRASS	GOLD PLATED
1	INSULATOR	TEFLON	NONE
1	BODY	BRASS	GOLD PLATED
1	BODY	BRASS	GOLD PLATED
1	FERRULE	BRASS	GOLD PLATED
QTY	DESCRIPTION	MATERIAL	FINISH

RoHS Compliant



PART NO. SMB-JC-174

DWG NO. SMB-JC-174

CHECKED BY CY

TOLERANCES ARE

DESCRIPTION: SMB ST. JACK FOR 174

FILE NO.

DRAWING BY

.X ± 0.2
.XX ± 0.1
.XXX ±

AREA REVISIONS HK DATE

煜倫股份有限公司

UNIT / mm

SCALE 1:1

PROJECTION

AWG

AREA REVISIONS HK DATE