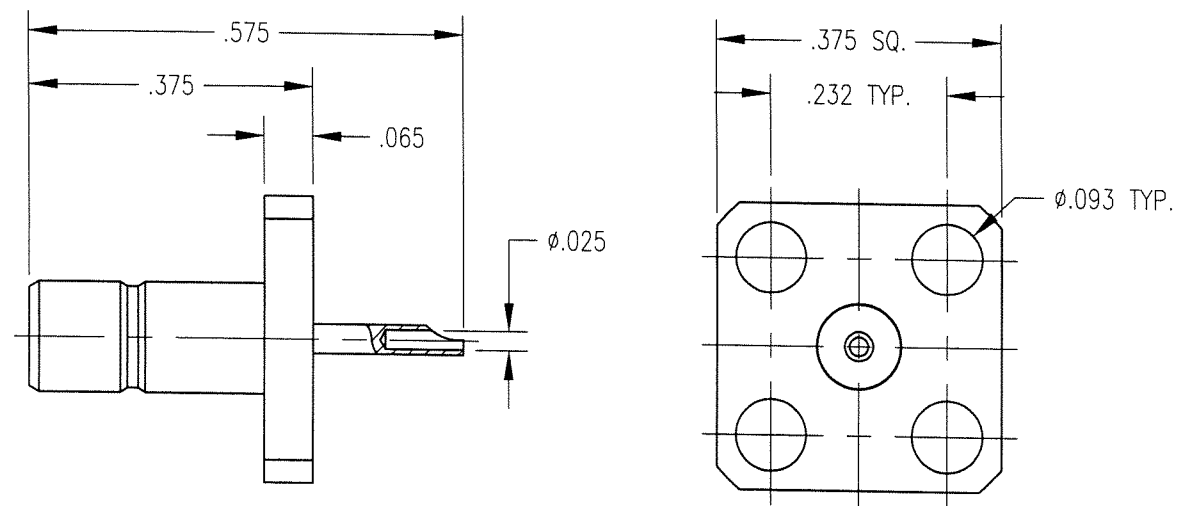


DWG. NO. 511-071-0000H			
REV	DESCRIPTION	BY	APPR
A	ECR 6640	JWH 2/9/01	[Signature]



- NOTES:
- MATERIALS;
 BODY AND CONTACT: BRASS PER ASTM B16
 INSULATOR: TEFLON PER ASTM D1710
 - FINISH:
 BODY: .000015 MIN. GOLD PER MIL-G-45204 OVER
 .000050 MIN. NICKEL PER QQ-N-290
 CONTACT: .000030 MIN. GOLD PER MIL-G-45204 OVER
 .000050 MIN. NICKEL PER QQ-N-290

PER ASME Y14.5M-1994 UNLESS OTHERWISE SPECIFIED: DIMENSIONS ARE IN INCHES (MM)		Litton	
TOLERANCES: DECIMALS .xx ± .01/0.254 XXX ± .005/0.127 ANGLES ± 2°		Winchester/Retconn 400 Park Road Waterbury, Connecticut 06755	
CUSTOMER DRAWING		TITLE SMB STRAIGHT JACK	
DRAWN JWH	DATE 2/9/01	CHECKED [Signature]	DATE 2/9/01
APPROVED [Signature]	DATE 2/9/01	APPROVED [Signature]	DATE 2/9/01
A 511-071-0000H		SHT. OF 1 1	REV. A