

DATA CONTAINED IN THIS DOCUMENT IS PROPRIETARY TO TROMPETER ELECTRONICS, INC. AND SHALL NOT BE DISCLOSED, COPIED OR USED FOR PROCUREMENT OR MANUFACTURE WITHOUT EXPRESS WRITTEN PERMISSION OF TROMPETER ELECTRONICS, INC.

REVISIONS		305-0520	SH 1
REV	DESCRIPTION	DATE	APPROVED
C	REVISED PER ECO 14693	8-27-02	Wm

DASH NO	CONNECTOR TYPE	MATERIAL ⁴	ASSEMBLE PER	FIG	MTG HOLE FIG
-1 ⁶	PL75	310-0002-47	TAI-104	1A	—
-2 ⁶	CJ70	3-0043-47		2A	—
-3 ⁶	BJ79	3-0018-47		3A	10
-4	BJ74	3-0055-47		4A	11
-5(S)	PL375(S)	315-0011-47		1B	—
-6(S)	CJ370(S)	3-0066-47		2B	—
-7(S)	BJ379(S)	3-0074-47		3B	10
-8(S)	BJ374(S)	3-0073-47		4B	11
-9	PL74	310-0025-47		5A	—
-10	CJ70TL	3-0217-47		6A	—
-11	BJ79TL	3-0112-47		7A	10
-12	BJ74TL	3-0105-47		8A	11
-13	PL75FL	310-0006-47		5B	—
-14	CJ70FL	3-0101-47		6B	—
-15	BJ79FL	3-0052-47		7B	10
-16	BJ74FL	3-0099-47		8B	11
-17	PL73	310-0038-47		9	—

FIG 1

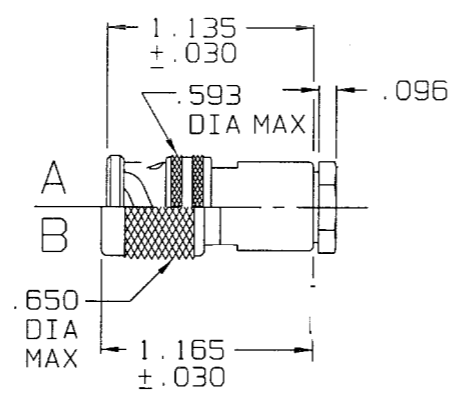


FIG 2

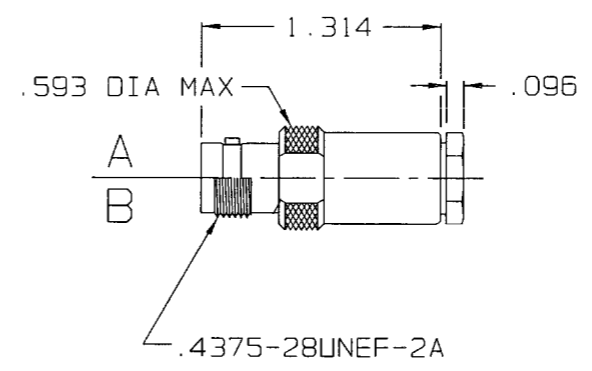


FIG 3

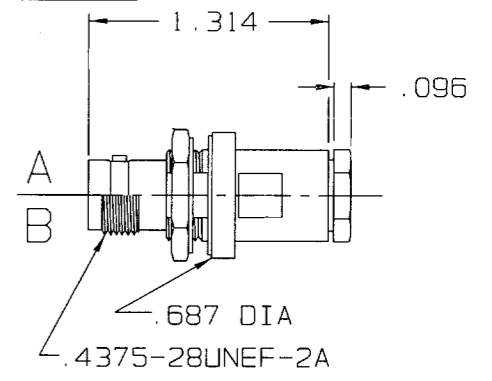


FIG 4

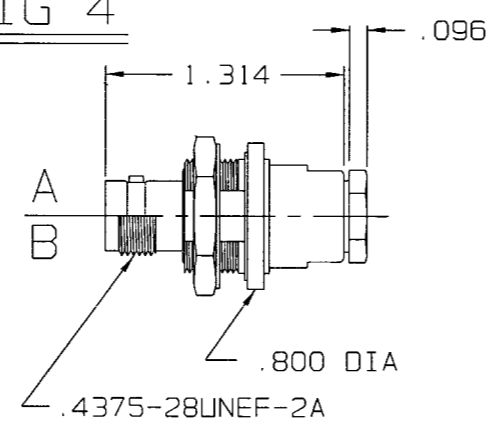


FIG 5

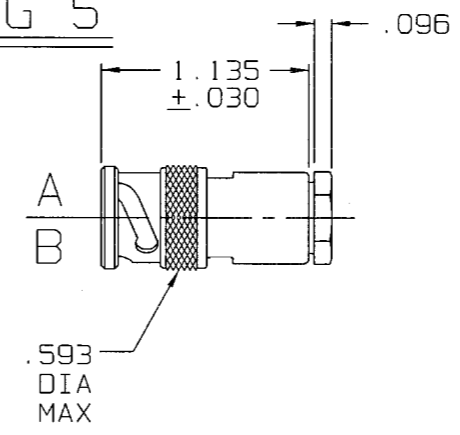


FIG 6

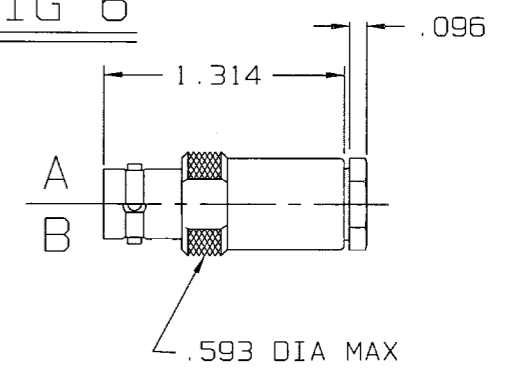


FIG 10

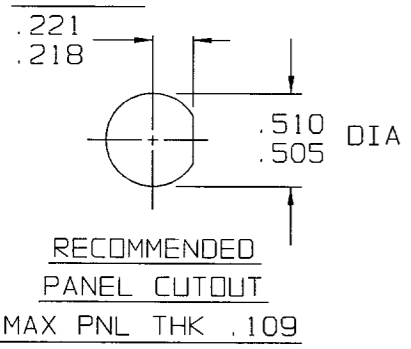


FIG 11

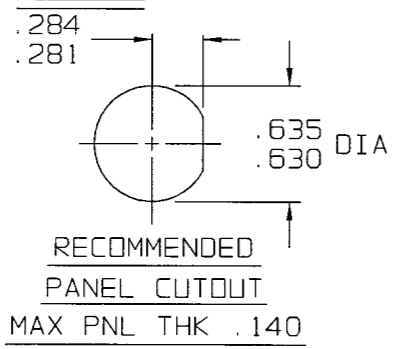


FIG 7

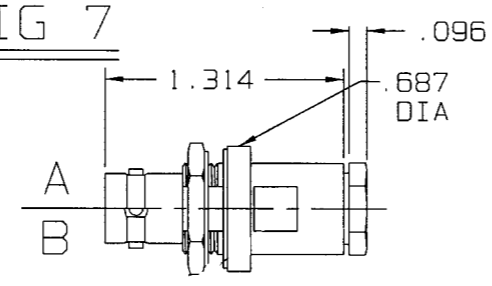


FIG 8

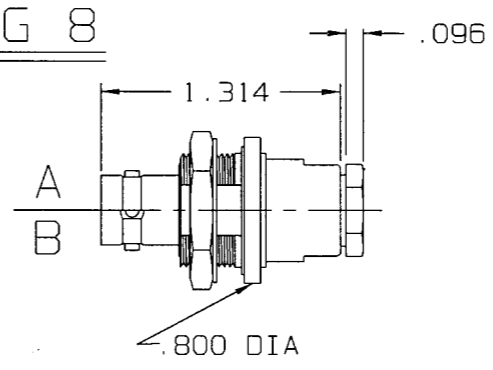
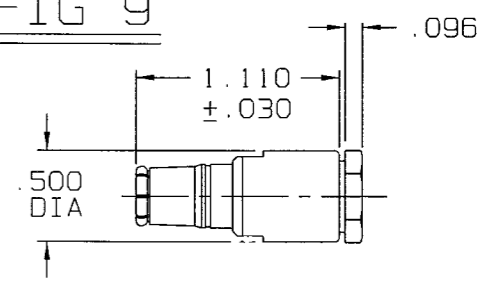


FIG 9



⁵ EXAMPLE OF COMPLETE P/N:
 305-0520-1 T S
 BASIC PART NO. CONNECTOR TYPE DASH NO. | OPTIONAL SAFETY WIRE HOLE (-5 THRU -8 ONLY) SEE NOTE ⁴

⁴ REPLACE CLAMP NUT 8-1580-47 WITH CLAMP NUT 305-0520-101

⁶ POLARIZATION LETTER I.A.W MATERIAL CALL-OUT. NONE REQUIRED FOR STANDARD

3. CONCENTRIC TWINAX/TRIAX, 2-LUG, 3-LUG, 4-LUG AND THREADED CABLE PLUGS/RECEPTACLES, INSULATED & NONINSULATED BULKHEAD MOUNT RECEPTACLES & PUSH-ON CABLE PLUGS FOR MICRODOT CABLE 250-3836-0000
2. FINISH TFS-1A (NICKEL)
1. ALL DIM ARE IN INCHES

INTERPRET DRAWING PER MIL-STD-100 DIMENSIONS ARE IN INCHES AND INCLUDE FINISH THICKNESS UNLESS OTHERWISE SPECIFIED		TOL: UNLESS SPECIFIED .XX .XXX ± .005 .XXXX ANGLES		
DRAWN AAH	DATE 8-23-02	MATERIAL:	TITLE: 70 SERIES- 250-3836-0000	
CHECKED JCM	DATE 3-23-02	FINISH:	SIZE A	CAGE CODE 14949
QUALITY JCM	DATE 8/23/02	SCALE NONE	DRAWING NO. 305-0520	REV. C
APPROVED W Mark	DATE 8/23/02	DO NOT SCALE DWG	DATE: 1-8-84	SHEET 1C
NEXT ASSY	CAD FILE NO 305-0520C			