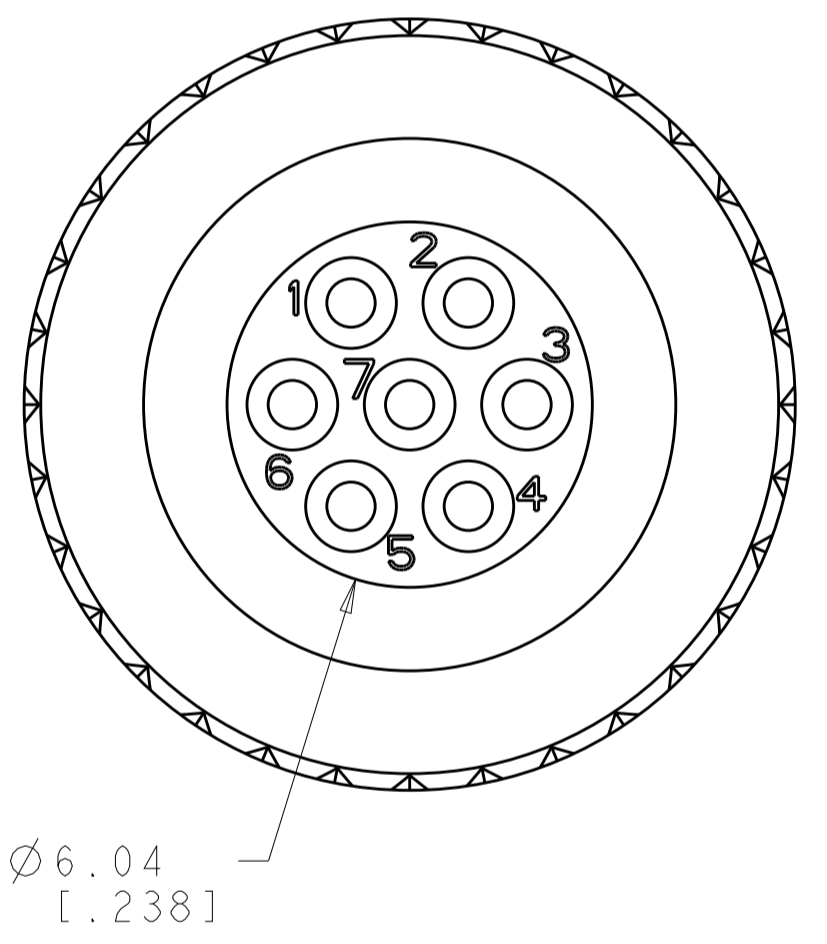
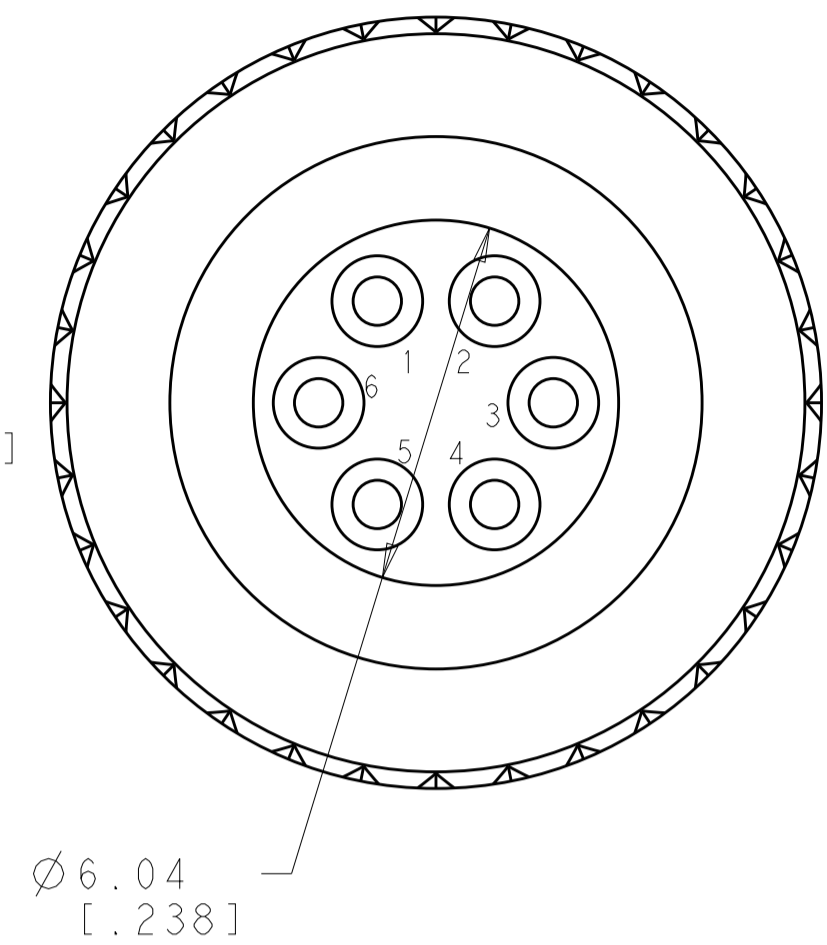
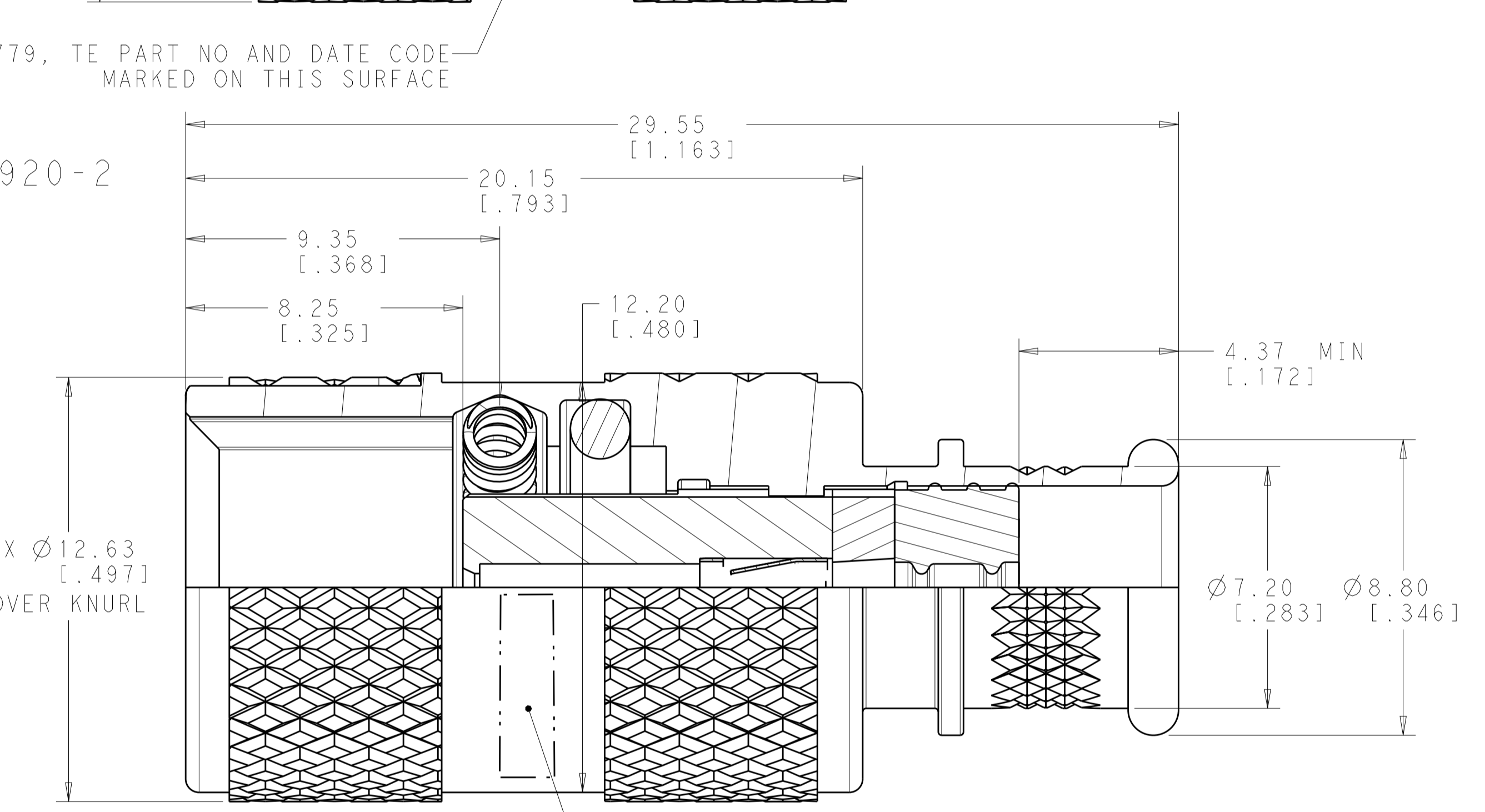
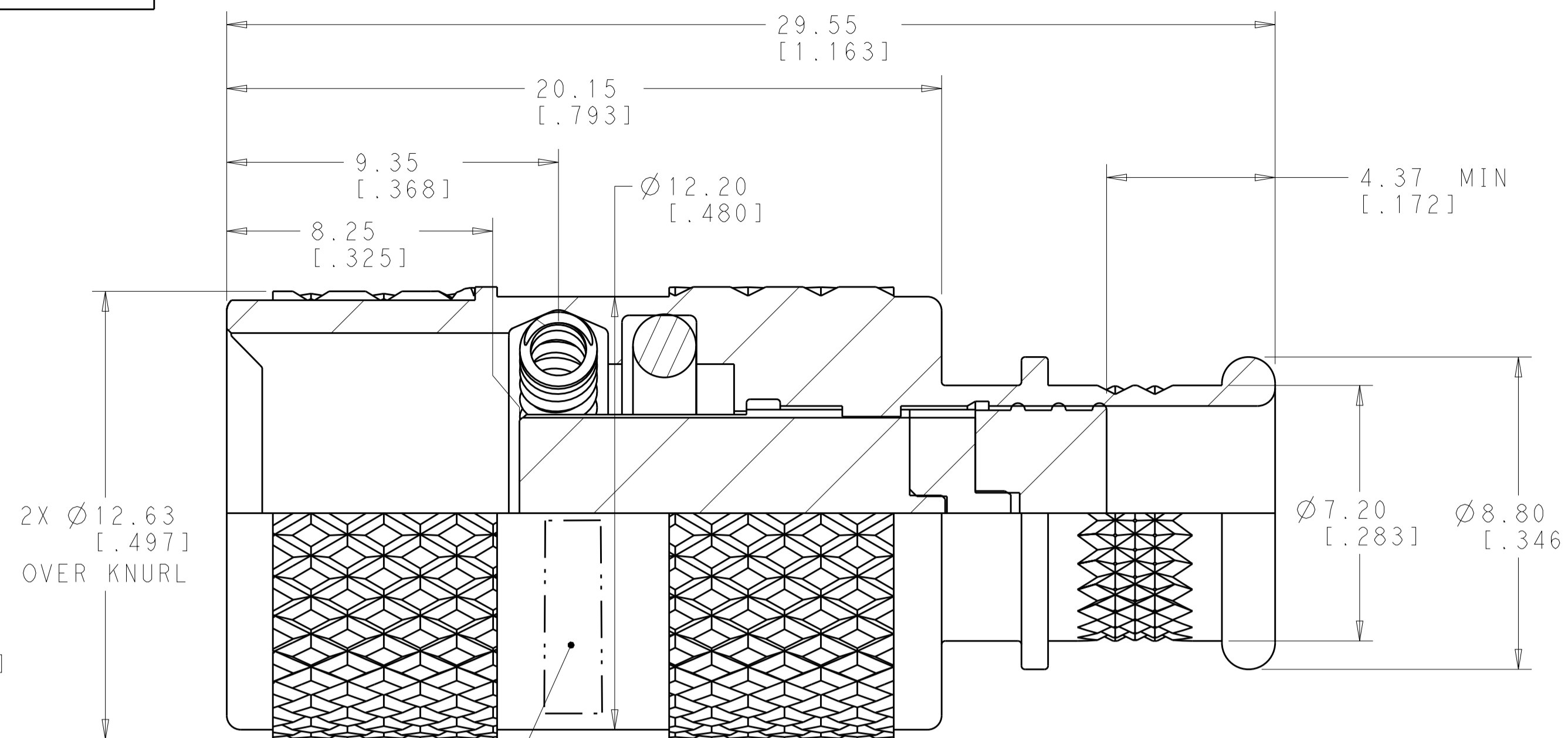
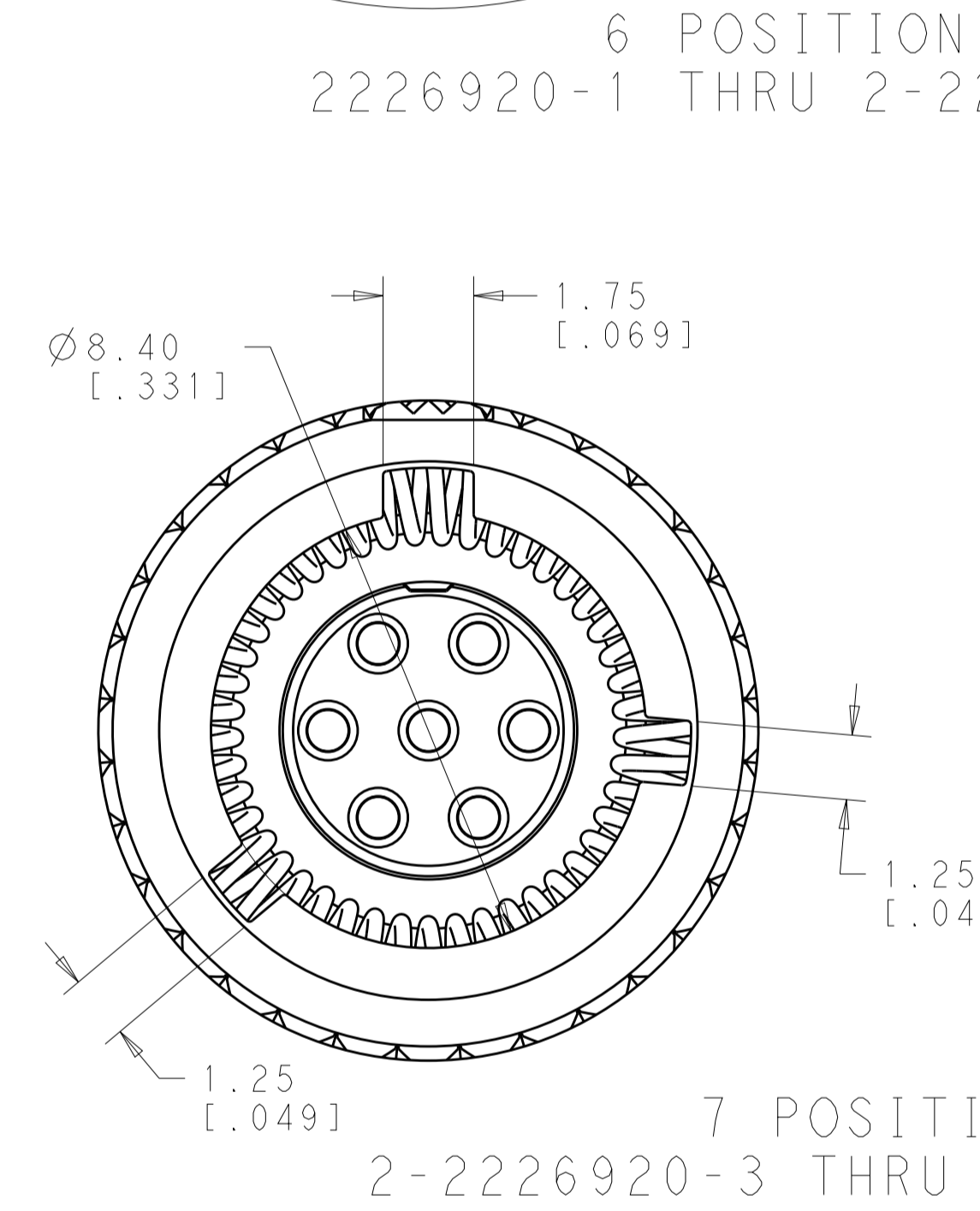
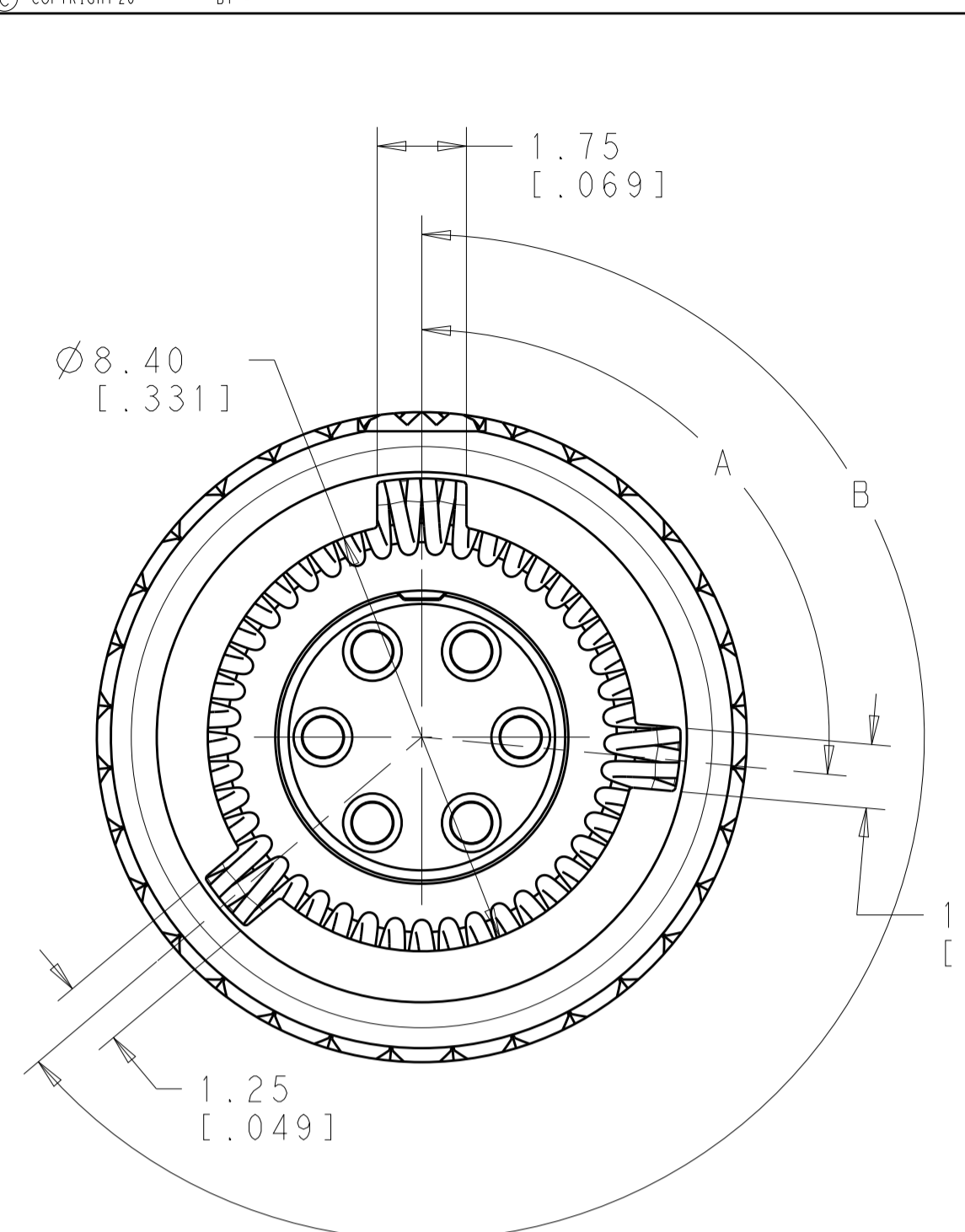


REVISIONS				
P.	LTN	DESCRIPTION	DATE	APP'D
F2		REV PER ECO 18-011576	8-29-18	CT DM

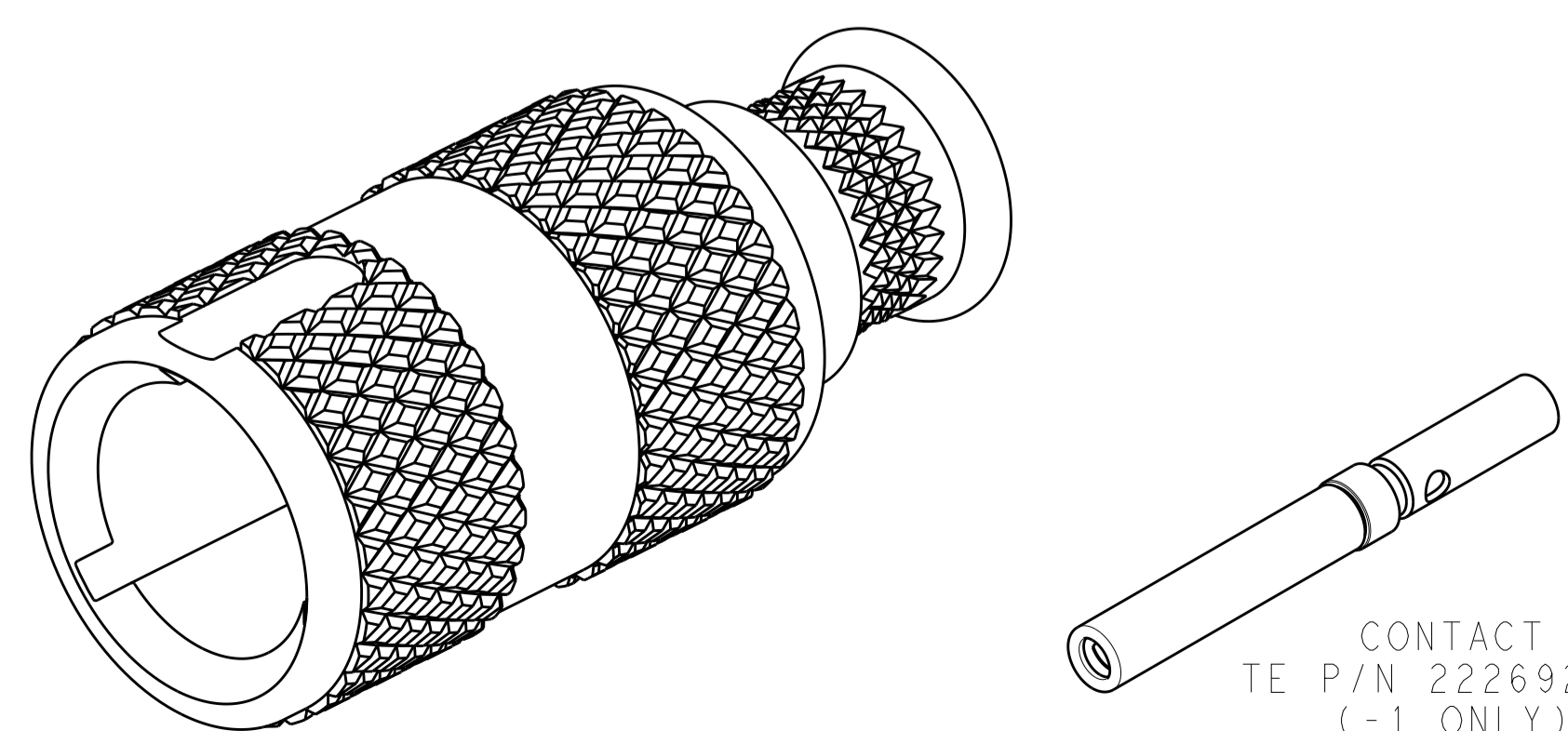


00779, TE PART NO AND DATE CODE MARKED ON THIS SURFACE

00779, TE PART NO AND DATE CODE MARKED ON THIS SURFACE

QTY	LTN	DESCRIPTION	DATE	APP'D	REV
255	155	ME	7		4-2226920-4
255	155	ME	7		4-2226920-3
205	105	MD	7		4-2226920-2
205	105	MD	7		4-2226920-1
245	115	MC	7		4-2226920-0
245	115	MC	7		3-2226920-9
220	140	MB	7		3-2226920-8
220	140	MB	7		3-2226920-7
195	165	MA	7		3-2226920-6
195	165	MA	7		3-2226920-5
210	95	F	7		3-2226920-4
210	95	F	7		3-2226920-3
275	75	E	7		3-2226920-2
275	75	E	7		3-2226920-1
275	140	D	7		3-2226920-0
275	140	D	7		2-2226920-9
210	75	B	7		2-2226920-8
210	75	B	7		2-2226920-7
210	150	A	7		2-2226920-6
210	150	A	7		2-2226920-5
230	95	C	7		2-2226920-4
230	95	C	7		2-2226920-3
255	155	ME	6		2-2226920-2
255	155	ME	6		2-2226920-1
205	105	MD	6		2-2226920-0
205	105	MD	6		1-2226920-9
245	115	MC	6		1-2226920-8
245	115	MC	6		1-2226920-7
220	140	MB	6		1-2226920-6
220	140	MB	6		1-2226920-5
195	165	MA	6		1-2226920-4
195	165	MA	6		1-2226920-3
210	95	F	6		1-2226920-2
210	95	F	6		1-2226920-1
275	75	E	6		1-2226920-0
275	75	E	6		2226920-9
275	140	D	6		2226920-8
275	140	D	6		2226920-7
210	75	B	6		2226920-6
210	75	B	6		2226920-5
210	150	A	6		2226920-4
210	150	A	6		2226920-3
230	95	C	6		2226920-2
230	95	C	6		2226920-1
B	A	KEYING POSITIONS			PART NO

- TE MATING CONNECTOR PART NUMBER 2226910 MATCHING KEYING AND NUMBER OF POSITIONS.
- SHELL FINISH: SELECTIVE PLATE 7.5µm MIN ZINC-NICKEL OVER 10.0µm MIN ELECTROLESS NICKEL ALL OVER.
- ROHS COMPLIANT.
- MATERIALS: ALUMINUM ALLOY, THERMOPLASTIC AND FLUORSILICONE.
- CONNECTOR SHALL MEET ENVIRONMENTAL REQUIREMENTS PER MIL-STD-810G.
- ASSEMBLY ACCEPTS SIZE 23 SOCKET CONTACTS.
- CONTACT CURRENT RATING 5 AMPS CRIMPED TO 22AWG WIRES.
- CONNECTOR SHIPPED WITH DUST CAPS.
- CONNECTOR WEIGHT: 4.39 grams (W/O CONTACTS).
- MARKINGS PER MIL-STD-202, METHOD 215.
- CONTACTS (8) ARE KITTED IN SEALED PLASTIC BAG AND SHIPPED UN-ASSEMBLED TO CONNECTOR.
- UNLESS OTHERWISE SPECIFIED, ALL DIMENSIONS ARE FOR REFERENCE ONLY.
- THIS DRAWING HAS UNLIMITED USAGE RIGHTS.



SCALE 5:1

THIS DRAWING IS A CONTROLLED DOCUMENT. DWG NO. 03FEB2014
 CHK. C.Y.I. 07FEB2014
 APP'D. C.Y.I. 07FEB2014

DIMENSIONS: mm [INCHES]

TOLERANCES UNLESS OTHERWISE SPECIFIED:
 0 PLC ±
 1 PLC ±.01
 2 PLC ±.0131(.005)
 3 PLC ±
 4 PLC ±
 ANGLES ±

MATERIAL: FINISH:

WEIGHT: SIZE: CAGE CODE: DRAWING NO: RESTRICTED TO: A1 C=2226920

CUSTOMER DRAWING SCALE 8:1 SHEET 1 OF 1 REV F2

STE TE Connectivity
 RECEPTACLE CONNECTOR ASSEMBLY
 NETT WARRIOR