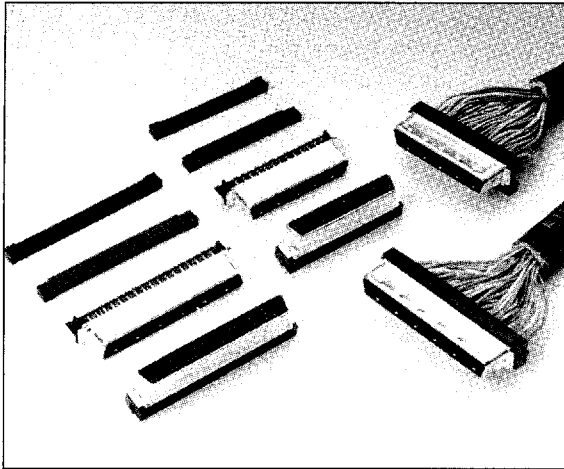


AMPHENOL SCSI CONNECTOR CABLE MOUNT PLUG

257 SERIES



Amphenol's 257 series is a high-density connector system which meets ANSI requirements for SCSI (small computer system interface), and is suitable for a variety of input/output applications. The low profile design allows the connector to be used in applications where space is at a premium.

SCSI standards allow 8, 16 and 32 bit parallel data transfers up to 40 megabytes per second, in applications used to connect computers in a daisy chain with peripheral devices such as printers, plotters, disk drives or CD-ROM drives.

The contacts are a fork and blade type spaced at .050". The cable mount plug, available in 50 and 68 positions, has a front metal "D" shell for polarization and EMI/RFI shielding. Diecast backshells (see next page) and the Accu-Pierce II semi-automatic tool complete the offering.

SPECIFICATIONS:

Contacts:

Phosphor bronze

Contact Plating:

Mating area: 30 μ " gold (min.)
Termination ends: 100 - 200 μ " tin-lead
Underplate: 50 μ " nickel (min.)

Front Shell:

Steel, plated with 200 μ " (min.) bright tin over 50 μ " (min.) copper

Insulator:

Black thermoplastic, UL 94 VO

Current Rating:

1 amp per contact

Insulation Resistance:

≥ 1000 M ohms

Dielectric Withstanding voltage:

500 VAC min. at sea level

Contact Resistance:

25 milliohms max.

Connector Mating Force:

50 position: 22 lbs. max.
68 position: 31 lbs max.

Connector Unmating Force:

50 position 2.2 lbs. min.
68 position: 3.3 lbs min.

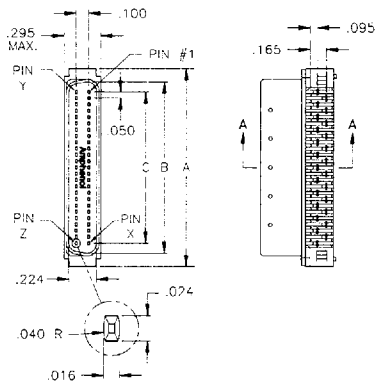
Operating Temperature:

-55°C to +125°C

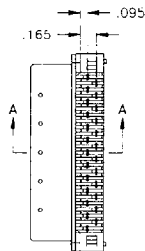
Recommended AWG:

28 - 30 AWG solid or 7 strand.
See table for insulation O.D. range.
Wire must be approved by Amphenol.

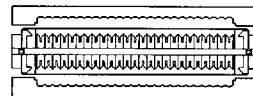
DIMENSIONS AND ORDERING INFORMATION:



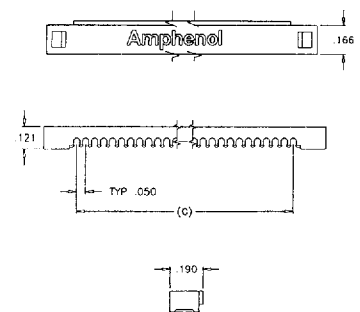
SHOWN WITHOUT TERMINATION
COVERS



SHOWN WITH TERMINATION COVERS
FOR SEMI-AUTOMATIC TOOL



SECTION A-A



TERMINATION COVERS
FOR MANUAL TOOL

Number of Positions	Kit: Connector with termination cover for Semi-Automatic Tool	Kit: Connector with termination cover for Manual Tool	A	B	C	Pin X	Pin Y	Pin Z
Recommended wire insulation O.D.	.026" - .036"	.029" - .035"						
50	257-K050P-AM-00	257-L050P-AM-00	1.571	1.372	1.200	25	26	50
68	257-K068P-AM-00	257-L068P-AM-00	2.021	1.822	1.650	34	35	68

Tooling: 359-8257 Accu-Pierce II Semi-Automatic Tool Contact factory for manual press
356-290 Hand Repair Tool - single wires

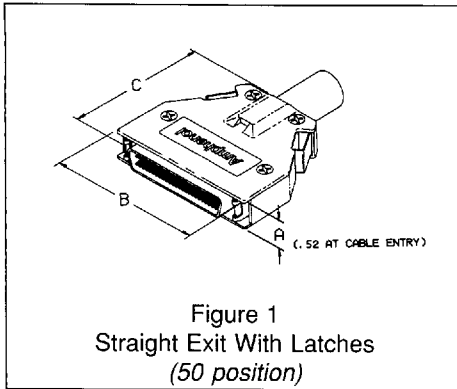


Figure 1
Straight Exit With Latches
(50 position)

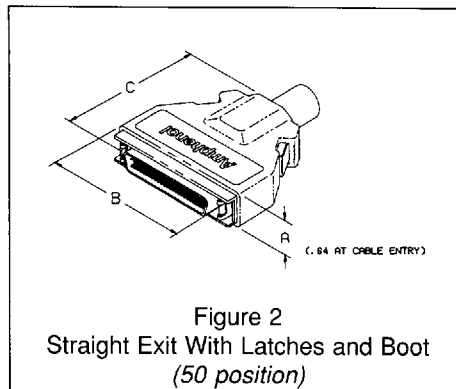


Figure 2
Straight Exit With Latches and Boot
(50 position)

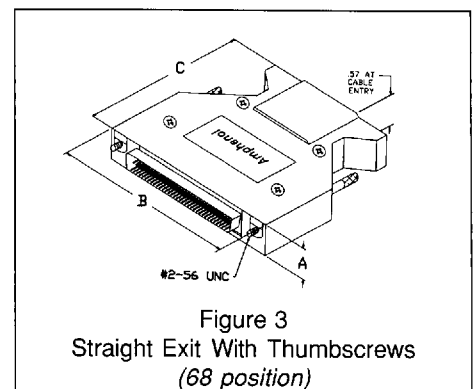


Figure 3
Straight Exit With Thumbscrews
(68 position)

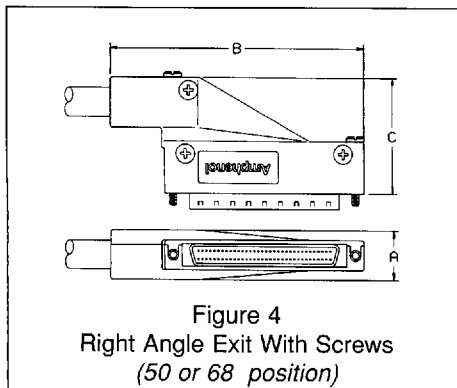


Figure 4
Right Angle Exit With Screws
(50 or 68 position)

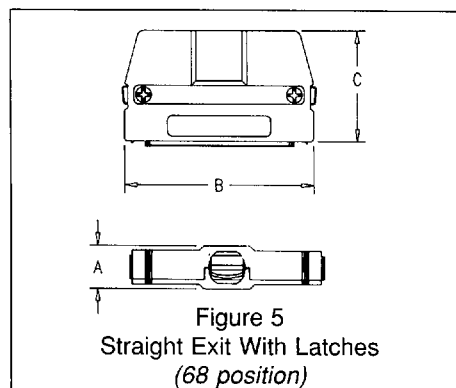


Figure 5
Straight Exit With Latches
(68 position)

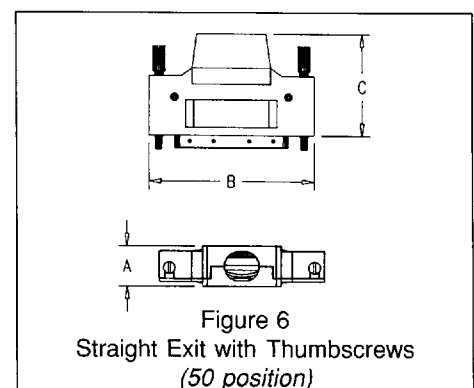


Figure 6
Straight Exit with Thumbscrews
(50 position)

SPECIFICATIONS:

Die Cast Shell:
Zinc, bright nickel plating

Latch Hardware:
Stainless steel

Shield Support Ring:
Brass, tin plated

Compression Insert:
PVC, black UL 94 VO
(Figure 3 only)

Screws:
Steel, zinc plated with clear chromate

Boot (Cover):
ABS, smoke gray color
(Boot also available in black. Contact factory.)

DIMENSIONS AND ORDERING INFORMATION:

Description	Cable O.D. max.	Figure	Connector Size	Part Number	A	B	C
Straight Exit with Latches	.420	1	50	257-S050C-420	.40	1.94	1.78
Straight Exit with Latches	.440	1	50	257-S050C-440	.40	1.94	1.78
Straight Exit with Latches	.430	5	68	257-S068C-430	.52	2.37	1.39
Straight Exit with Latches and Boot	.420	2	50	257-S050CB-420	.50	2.05	1.90
Straight Exit with Latches and Boot	.440	2	50	257-S050CB-440	.50	2.05	1.90
Straight Exit with Latches and Boot		2	68	Contact Factory			
Straight Exit with Thumbscrews	.470	6	50	257-S050T-470	.50	2.08	1.44
Straight Exit with Thumbscrews	.490	3	68	257-S068T-490	.40	2.52	1.85
Right Angle Exit with Screws	.440	4	50	257-S050R-440	.62	2.72	1.43
Right Angle Exit with Screws	.440	4	68	257-S068R-440	.62	3.17	1.43
Right Angle Exit with Screws	.490	4	68	257-S068R-490	.62	3.17	1.43