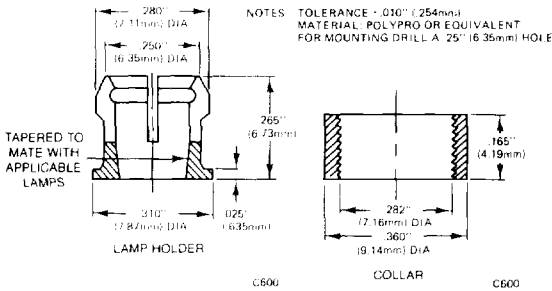
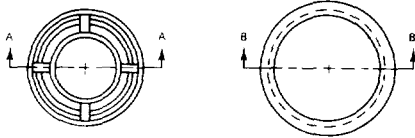


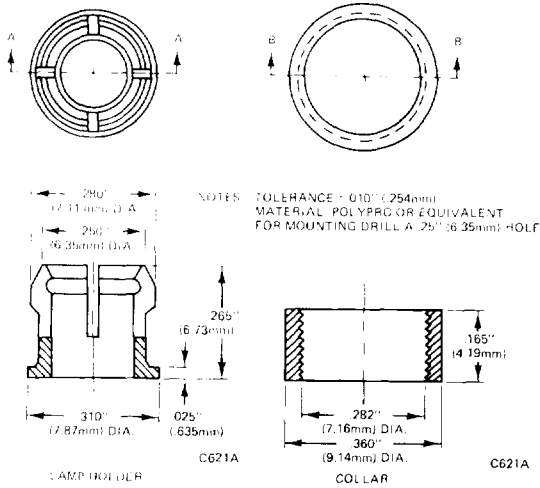
PACKAGE DIMENSIONS

DESCRIPTION



MP22 TWO-PIECE POP-INS FOR MV5X2XA

TYPICAL MOUNTING TECHNIQUE FOR EITHER TYPE



MP52 TWO-PIECE POP-INS FOR MV6X5X AND MV5X5X

