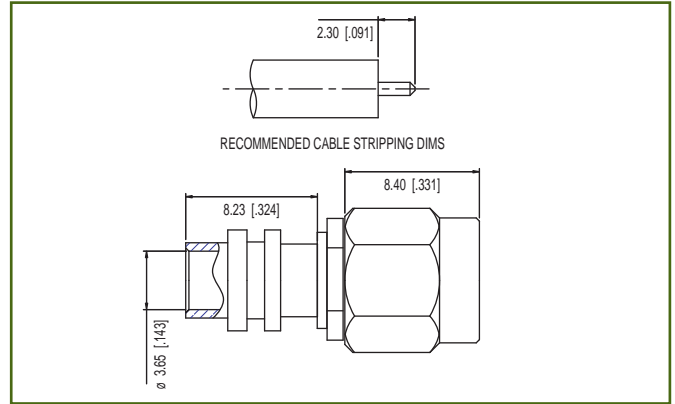


DIRECT SOLDER FOR SEMI-RIGID CABLE

Straight Cable Plug Without Contact

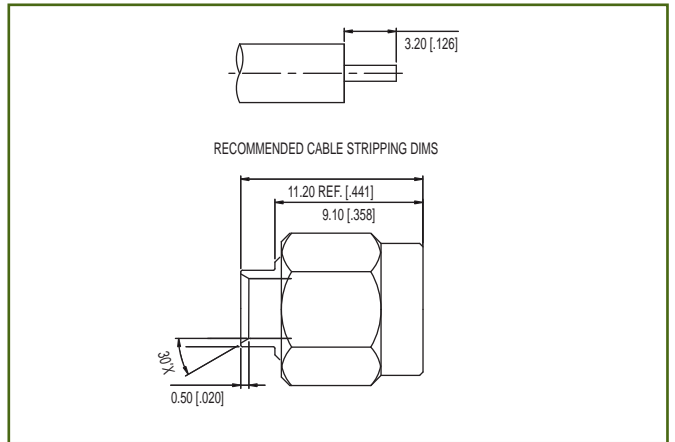
Part Number	Cable Numbers
F55 - E07- 2003000	RG402



Assembly Instructions CSMA 3 (Page 55)

Straight Cable Plug With Contact

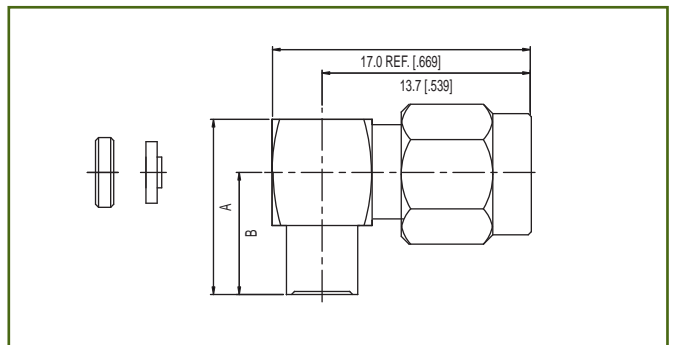
Part Number	Cable Numbers
F55 - E07 - 9172000	RG405
F55 - E07 - 9173000	RG402



Assembly Instructions CSMA 4 (Page 56)

Right Angle Cable Plug

Part Number	Cable Numbers	A	B
F55 - E11 - 3702000	RG405	8,1 [.319]	4,6 [.181]
F55 - E11 - 3703000	RG402	11,5 [.453]	8,1 [.319]



Assembly Instructions CSMA 5 (Page 57)

Dimensions shown in mm (inch)
 Specifications and dimensions subject to change