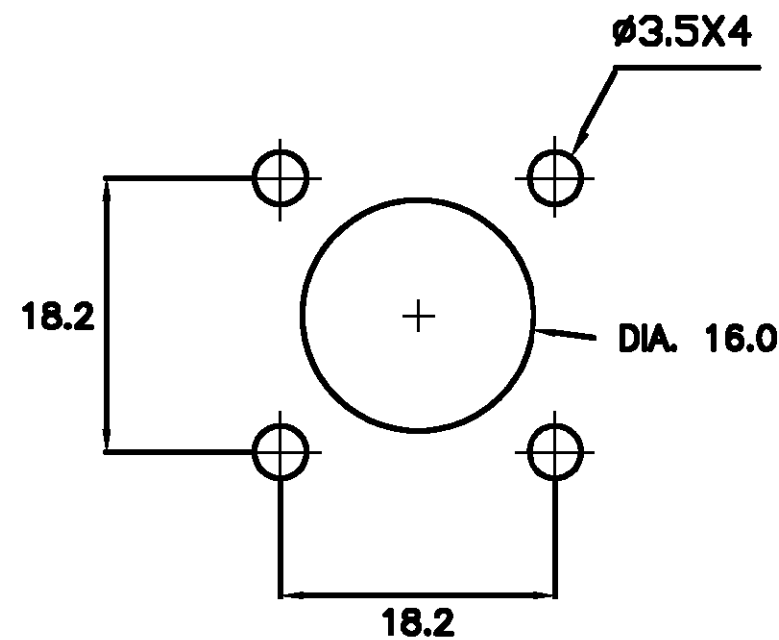
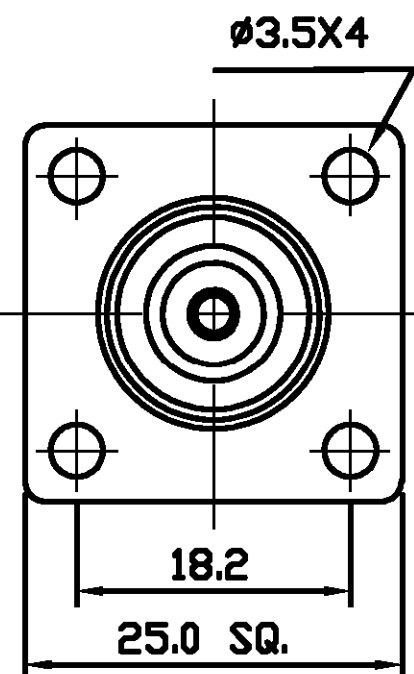
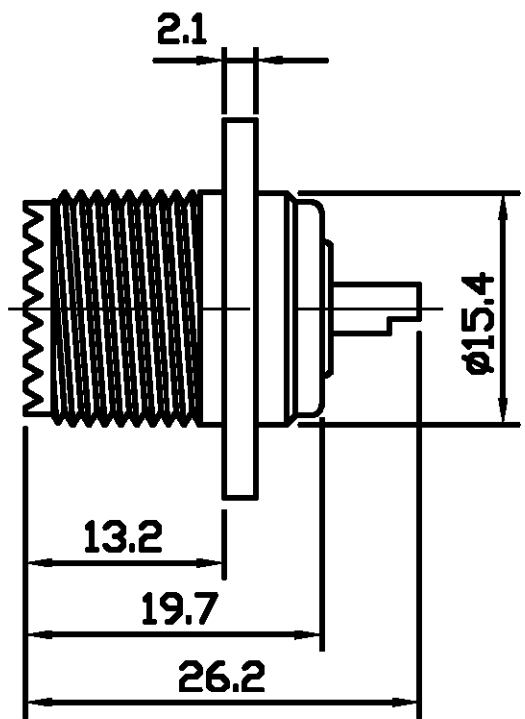


THIS DRAWING IS UNPUBLISHED.

RELEASED FOR PUBLICATION 12-9-01, 12-9-01

© COPYRIGHT 2001 BY TYCO ELECTRONICS CORPORATION. ALL RIGHTS RESERVED.

LOC	DIST	REVISIONS			
P	LTR	DESCRIPTION	DATE	DWN	APVD
E	B	A	RELEASE FOR PRODUCTION	12-9-01	RG FWK



PANEL CUT-OUT DIMENSIONS

ALL DIMENSIONS ARE NOMINAL. FOR REFERENCE ONLY.

DIE SET PART NUMBER	N/A
HANDTOOL PART NUMBER	N/A
FOR USE ON CABLES	N/A
CONNECTOR PLATING DETAIL	SILVER
CONTACT PLATING DETAIL	SILVER
DIELECTRIC MATERIAL	TEFLON
GASKET MATERIAL	N/A

THIS DRAWING IS A CONTROLLED DOCUMENT.

DIMENSIONS:	TOLERANCES UNLESS OTHERWISE SPECIFIED:
MM	
	0 PLC ±
	1 PLC ±
	2 PLC ±
	3 PLC ±
	4 PLC ±
	ANGLES ±
MATERIAL	FINISH
	-

DWN	R GOODALL	12-9-01
CHK	F W-KING	12-9-01
APVD	F W-KING	12-9-01
PRODUCT SPEC	108-3435	
APPLICATION SPEC	CUSTOMER DRAWING	
WEIGHT	-	

BAG	SINGLE ITEM	1-1478233-0
PACK TYPE	DESCRIPTION	PART NUMBER
Tyco Electronics Corporation Stanmore, Middlesex, HA7 4RS		
NAME: UHF PANEL SOCKET		
SIZE	CAGE CODE	DRAWING NO
A3	00779	C-1478233
RESTRICTED TO	-	
SCALE	NTS	SHEET 1 OF 1
REV	A	