

February 1985

OBJECTIVE
SPECIFICATIONS

Octal D-Type Transparent Latches with 3-State Outputs

Features

- 8 latches in a single package
- Full parallel access for loading
- Function, pin-out, speed and drive compatibility with 54/74LS logic family
- Low power consumption characteristic of CMOS
- 3-State outputs with high drive current ($I_{OL} = 24 \text{ mA} @ V_{OL} = 0.5\text{V}$) for direct bus interface
- Inputs and outputs interface directly with TTL, NMOS and CMOS devices
- Wide operating voltage range: 4.5V to 5.5V
- Characterized for operation over industrial and military temperature ranges:
74HCTLS: -40°C to $+85^{\circ}\text{C}$
54HCTLS: -55°C to $+125^{\circ}\text{C}$

Description

The '563 consists of 8 high-speed D-type latches coupled to 3-state output buffers with high drive current capability. It can be used in implementing buffer registers, I/O ports, bidirectional bus drivers and working registers.

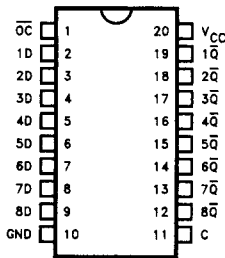
The latches are transparent: when the enable (C) is high, the Q outputs follow complements of the data (D) inputs. When the enable is low, the outputs latch at the levels that were set up at the D inputs.

The output buffers are controlled by a common signal (\overline{OC}) which places the outputs at a high-impedance state when it is taken high. The \overline{OC} signal does not affect the internal operations of the latches. Old data can be retained or new data can be entered while outputs are off.

Fabricated using Zytrex's proprietary ICE-MOS process, these devices provide speeds and drive capability equivalent to their LSTTL counterparts and yet maintain CMOS power levels. The input and output voltage levels allow direct interface with TTL, NMOS and CMOS devices without any external components.

All inputs and outputs are protected from damage due to static discharge by internal diode clamps to V_{CC} and ground.

Pin Configuration



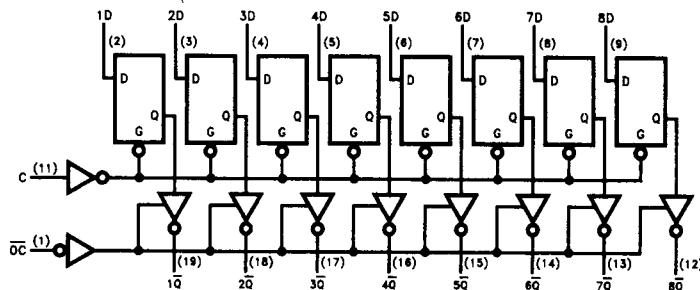
0111-1

Function Table

(Each Latch)

Inputs			Output
\overline{OC}	Enable C	D	\overline{Q}
L	H	H	L
L	H	L	H
L	L	X	\overline{Q}_O
H	X	X	Z

Logic Diagram



0111-2

Absolute Maximum Ratings*

Supply Voltage Range, V_{CC} -0.5V to 7V
 DC Input Diode Current, I_{IK}
 ($V_I < -0.5V$ or $V_I > V_{CC} + 0.5V$) ± 20 mA
 DC Output Diode Current, I_{OK}
 ($V_O < -0.5V$ or $V_O > V_{CC} + 0.5V$) ± 20 mA
 Continuous Output Current Per Pin, I_O
 ($-0.5V < V_O < V_{CC} + 0.5V$) ± 70 mA
 Continuous Current Through
 V_{CC} or GND pins ± 250 mA
 Storage Temperature Range, T_{STG} .. -65°C to +150°C
 Power Dissipation Per Package, P_D † 500 mW

† Power Dissipation temperature derating:
 Plastic Package (N): -12 mW/°C from 65°C to 85°C
 Ceramic Package (J): -12 mW/°C from 100°C to 125°C

Recommended Operating Conditions

Supply Voltage, V_{CC} 4.5V to 5.5V
 DC Input & Output Voltages*, V_{IN} , V_{OUT} 0V to V_{CC}
 Operating Temperature
 Range
 ZX74HCTL5: -40°C to +85°C
 ZX54HCTL5: -55°C to +125°C
 Input Rise & Fall Times, t_r , t_f Max 500 ns

*Absolute Maximum Ratings are those values beyond which permanent damage to the device may occur. These are stress ratings only and functional operation of the device at or beyond them is not implied. Long exposure to these conditions may affect device reliability.

*Unused inputs must always be tied to an appropriate logic voltage level (either V_{CC} or GND)

DC Electrical Characteristics ($V_{CC} = 5V \pm 10\%$ Unless Otherwise Specified)

Symbol	Parameter	Test Conditions	$T_A = 25^\circ C$			Unit	
			Typ	74HCTL5 $T_A = -40^\circ C$ to $+85^\circ C$	54HCTL5 $T_A = -55^\circ C$ to $+125^\circ C$		
V_{IH}	Minimum High-Level Input Voltage			2.0	2.0	2.0	V
V_{IL}	Maximum Low-Level Input Voltage			0.8	0.8	0.8	V
V_{OH}	Minimum High-Level Output Voltage	$V_{IN} = V_{IH}$ or V_{IL} $I_O = -20 \mu A$ $I_O = -6 mA$	V_{CC} 4.2	$V_{CC} - 0.1$ 3.98	$V_{CC} - 0.1$ 3.84	$V_{CC} - 0.1$ 3.7	V
V_{OL}	Maximum Low-Level Output Voltage	$V_{IN} = V_{IH}$ or V_{IL} $I_O = 20 \mu A$ $I_O = 12 mA$ $I_O = 24 mA$	0	0.1 0.26 0.39	0.1 0.33 0.5	0.1 0.4	V
I_{IN}	Maximum Input Current	$V_{IN} = V_{CC}$ or GND		± 0.1	± 1.0	± 1.0	μA
I_{OZ}	Maximum 3-State Leakage Current	Output Enable = V_{IH} $V_{OUT} = V_{CC}$ or GND		± 0.5	± 5.0	± 10.0	μA
I_{CC}	Maximum Quiescent Supply Current	$V_{IN} = V_{CC}$ or GND $I_{OUT} = 0 \mu A$		8.0	80.0	160.0	μA

AC Electrical Characteristics (Input $t_r, t_f \leq 6$ ns), HCTLS563

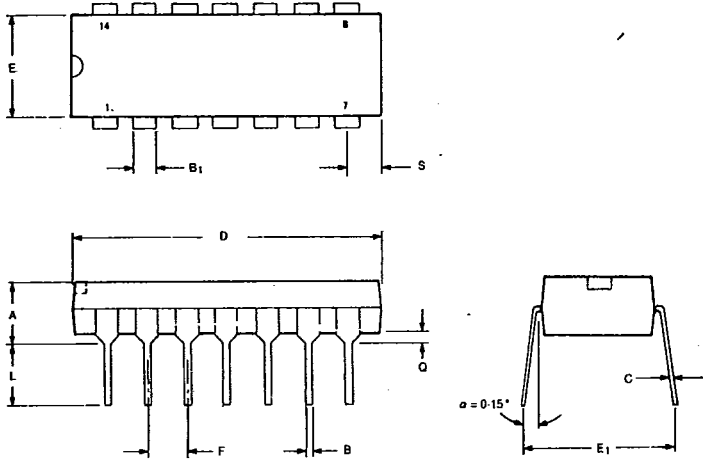
Symbol	Parameter	Conditions†	$T_A = 25^\circ\text{C}$ $V_{CC} = 5.0\text{V}$		74HCTLS $T_A = -40^\circ\text{C to } +85^\circ\text{C}$ $V_{CC} = 5.0\text{V} \pm 10\%$		54HCTLS $T_A = -55^\circ\text{C to } +125^\circ\text{C}$ $V_{CC} = 5.0\text{V} \pm 10\%$		Unit
			Typ	Guaranteed Limits					
t_{PLH}	Maximum Propagation Delay, D to Q	$C_L = 50$ pF $C_L = 150$ pF	14	18	23	27	ns		
			20	25	32	38			
t_{PHL}		$C_L = 50$ pF $C_L = 150$ pF	14	18	23	27	ns		
			20	25	32	38			
t_{PLH}	Maximum Propagation Delay, C to any Q	$C_L = 50$ pF $C_L = 150$ pF	22	30	37	45	ns		
			28	37	46	56			
t_{PHL}		$C_L = 50$ pF $C_L = 150$ pF	22	30	37	45	ns		
			28	37	46	56			
t_{PZH}	Maximum Output Enable Time, \overline{OC} to any Q	$R_L = 1$ k Ω $C_L = 50$ pF $C_L = 150$ pF	24	32	40	48	ns		
			30	39	49	59			
t_{PZL}		$C_L = 50$ pF $C_L = 150$ pF	24	32	40	48	ns		
			30	39	49	59			
t_{PHZ}	Maximum Output Disable Time, \overline{OC} to any Q	$R_L = 1$ k Ω $C_L = 50$ pF	19	25	31	37	ns		
			19	25	31	37			
t_w	Minimum Pulse Width, C High		6	10	12	15	ns		
t_{su}	Minimum Setup Time, D before C \downarrow		2	3	4	5	ns		
t_h	Minimum Hold Time, D after C \downarrow		6	10	12	15	ns		
C_{IN}	Maximum Input Capacitance		5				pF		
C_{OUT}	Maximum Output Capacitance	Output Disabled	10				pF		
C_{PD}	Power Dissipation Capacitance* (per stage)	$\overline{OC} = V_{CC}$ $\overline{OC} = \text{GND}$	5				pF		
			30						

* C_{PD} determines the no-load dynamic power consumption: $P_D = C_{PD} V_{CC}^2 f + I_{CC} V_{CC}$.

†For AC switching test circuits and timing waveforms see section 2.

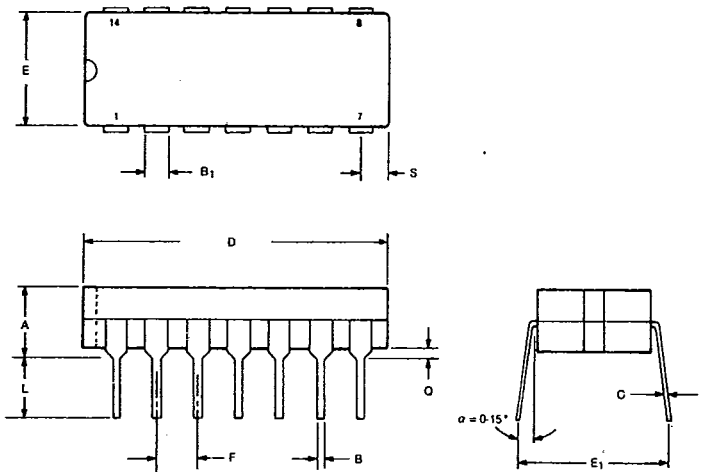
14-Pin Packages

Plastic Package



DIM	Millimeters		Inches	
	Min	Max	Min	Max
A	3.81	5.08	0.150	0.200
B	0.38	0.58	0.015	0.023
B ₁	1.40	1.78	0.055	0.070
C	0.20	0.38	0.008	0.015
D	18.16	19.56	0.715	0.770
E	6.10	7.49	0.240	0.295
E ₁	7.62	10.03	0.300	0.395
F	2.54		0.100	
L	3.18	4.19	0.125	0.165
Q	0.51	1.02	0.020	0.040
S	1.91	2.29	0.075	0.090

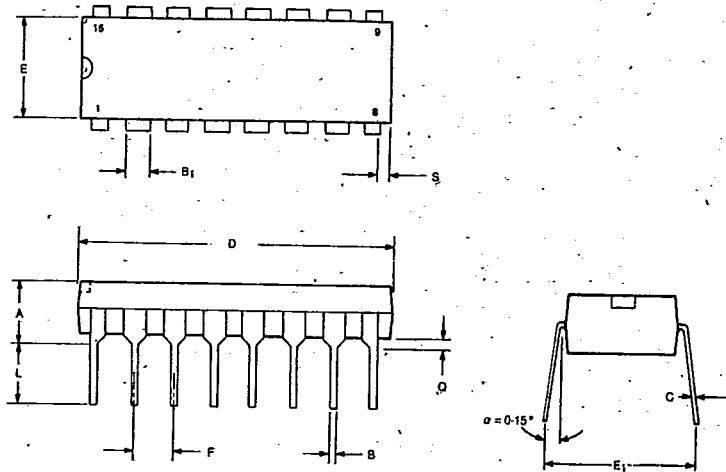
Ceramic Package



DIM	Millimeters		Inches	
	Min	Max	Min	Max
A	—	5.08	—	0.200
B	0.38	0.58	0.015	0.023
B ₁	1.40	1.78	0.055	0.070
C	0.20	0.38	0.008	0.015
D	19.05	19.94	0.750	0.785
E	6.10	7.49	0.240	0.295
E ₁	7.62	10.03	0.300	0.395
F	2.54		0.100	
L	3.18	4.19	0.125	0.165
Q	0.51	1.02	0.020	0.040
S	1.91	2.29	0.075	0.090

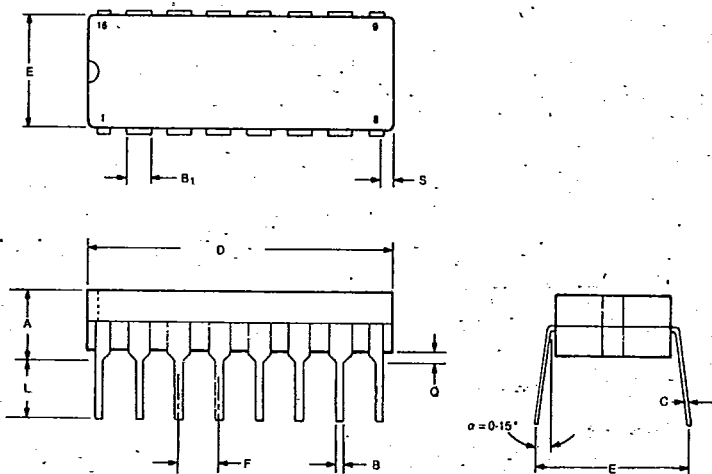
16-Pin Packages

Plastic Package



DIM	Millimeters		Inches	
	Min	Max	Min	Max
A	3.81	4.32	0.150	0.170
B	0.38	0.58	0.015	0.023
B ₁	1.40	1.78	0.055	0.070
C	0.20	0.38	0.008	0.015
D	19.05	19.94	0.750	0.785
E	6.10	7.49	0.240	0.295
E ₁	7.62	8.89	0.300	0.350
F	2.54		0.100	
L	3.18	4.19	0.125	0.165
Q	0.51	1.02	0.020	0.040
S	1.91	2.29	0.075	0.090

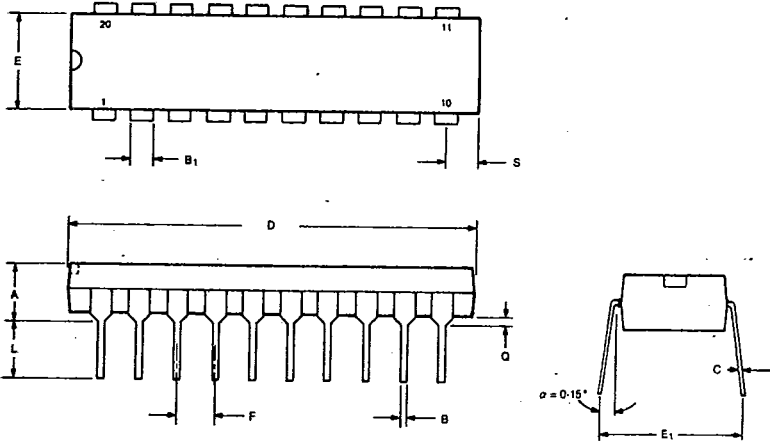
Ceramic Package



DIM	Millimeters		Inches	
	Min	Max	Min	Max
A	—	5.08	—	0.200
B	0.38	0.58	0.015	0.023
B ₁	1.40	1.78	0.055	0.070
C	0.20	0.38	0.008	0.015
D	19.05	19.94	0.750	0.785
E	6.10	7.49	0.240	0.295
E ₁	7.62	10.03	0.300	0.395
F	2.54		0.100	
L	3.18	4.19	0.125	0.165
Q	0.51	1.02	0.020	0.040
S	1.51	1.14	0.020	0.045

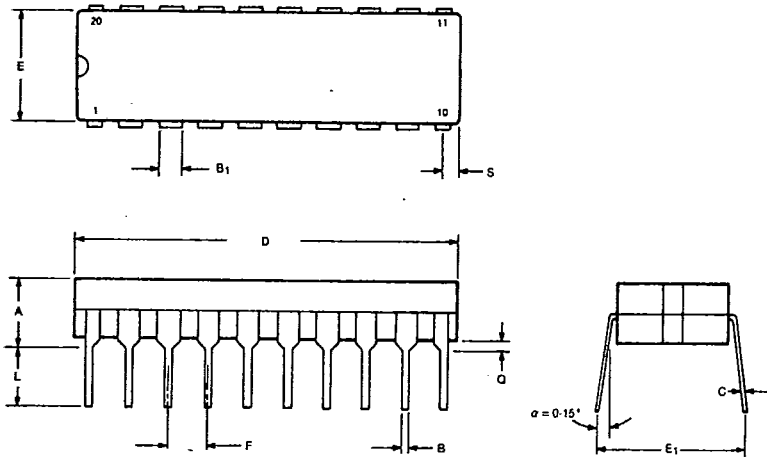
20-Pin Packages

Plastic Package



DIM	Millimeters		Inches	
	Min	Max	Min	Max
A	4.06	5.08	0.160	0.200
B	0.38	0.53	0.015	0.021
B ₁	1.14	1.52	0.045	0.060
C	0.20	0.38	0.008	0.015
D	25.65	27.18	1.010	1.070
E	6.10	6.60	0.240	0.260
E ₁	7.77	8.89	0.306	0.350
F	2.54		0.100	
L	3.30	4.01	0.130	0.158
Q	0.38	0.89	0.015	0.035
S	1.85	1.93	0.073	0.076

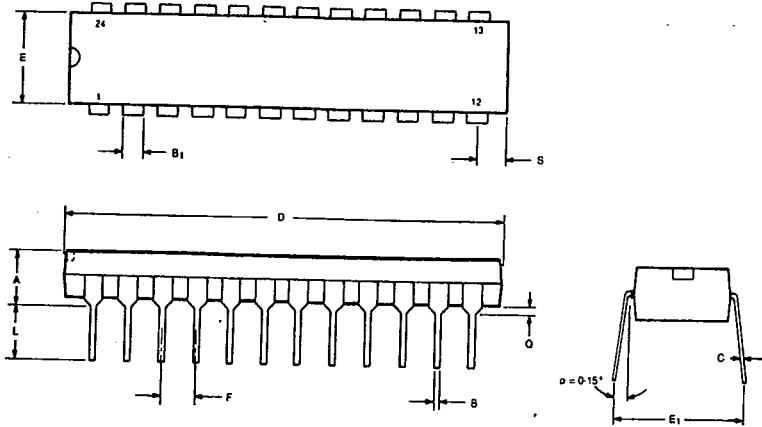
Ceramic Package



DIM	Millimeters		Inches	
	Min	Max	Min	Max
A	4.06	5.08	0.160	0.200
B	0.38	0.53	0.015	0.021
B ₁	1.14	1.52	0.045	0.060
C	0.20	0.38	0.008	0.015
D	25.78	25.93	1.015	1.021
E	6.10	6.60	0.240	0.260
E ₁	7.77	7.98	0.306	0.314
F	2.54		0.100	
L	3.73	4.01	0.147	0.158
Q	0.38	0.89	0.015	0.035
S	0.51	1.14	0.020	0.045

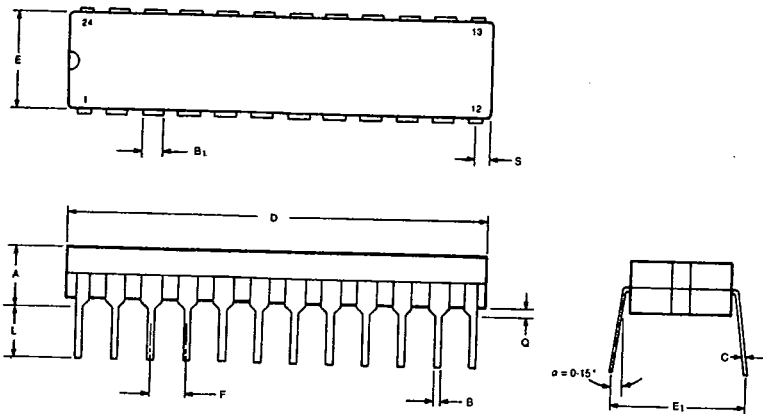
24-Pin Packages

Plastic Package



DIM	Millimeters		Inches	
	Min	Max	Min	Max
A	4.06	5.08	0.160	0.200
B	0.38	0.53	0.015	0.021
B ₁	1.14	1.52	0.045	0.060
C	0.20	0.38	0.008	0.015
D	31.24	32.13	1.230	1.265
E	6.10	6.60	0.240	0.260
E ₁	7.77	8.89	0.306	0.350
F	2.54		0.100	
L	3.30	4.01	0.130	0.158
Q	0.38	0.89	0.015	0.035
S	0.51	1.14	0.020	0.045

Ceramic Package



DIM	Millimeters		Inches	
	Min	Max	Min	Max
A	4.06	5.08	0.160	0.200
B	0.38	0.53	0.015	0.021
B ₁	1.14	1.52	0.045	0.060
C	0.20	0.38	0.008	0.015
D	31.50	32.64	1.240	1.285
E	7.24	7.75	0.285	0.305
E ₁	7.77	7.98	0.306	0.314
F	2.54		0.100	
L	3.73	4.01	0.147	0.158
Q	0.508	1.778	0.020	0.070
S	1.85	1.93	0.073	0.076