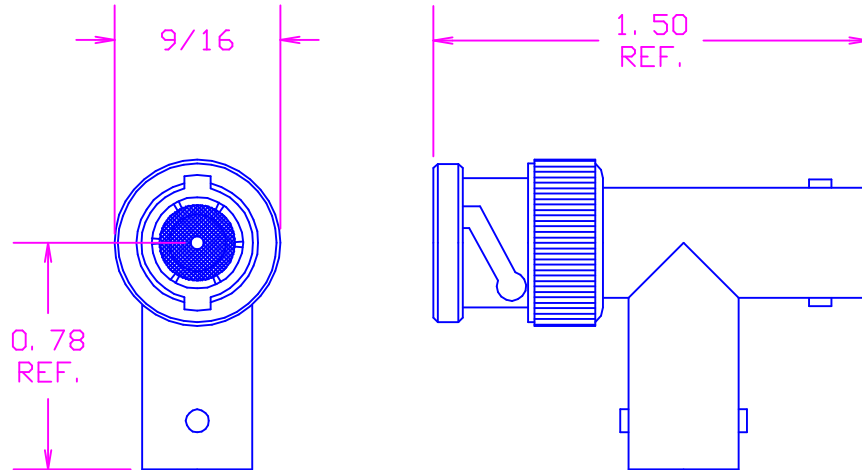
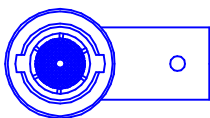
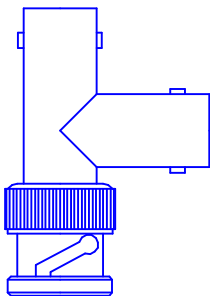


DATE	SYM	REVISION	RECORD	AUTH.	DR.	CK.
12/23/98	-	ISSUED			NT	GH



MATERIAL: BODY- BRASS PER ASTM B16  
 FEMALE CONTACT- BERYLLIUM COPPER PER ASTM B196  
 MALE CONTACT- BRASS PER ASTM B16  
 FINISH: CONTACT- GOLD PLATED PER MIL-G-45204  
 BODY- NICKEL PLATED  
 IMPEDANCE: 50 OHMS REF.

ACTUAL SIZE



TOLERANCES REF. ONLY	CONCORD ELECTRONICS CORPORATION		
DECIMAL + -	P/N	SCALE	30 GREAT JONES ST. NEW YORK N. Y. 10012
FRACTIONAL + -	TITLE BNC TEE ADAPTER		
+ -	DATE 12/14/98	DRAWING NUMBER 800-2461-2G	