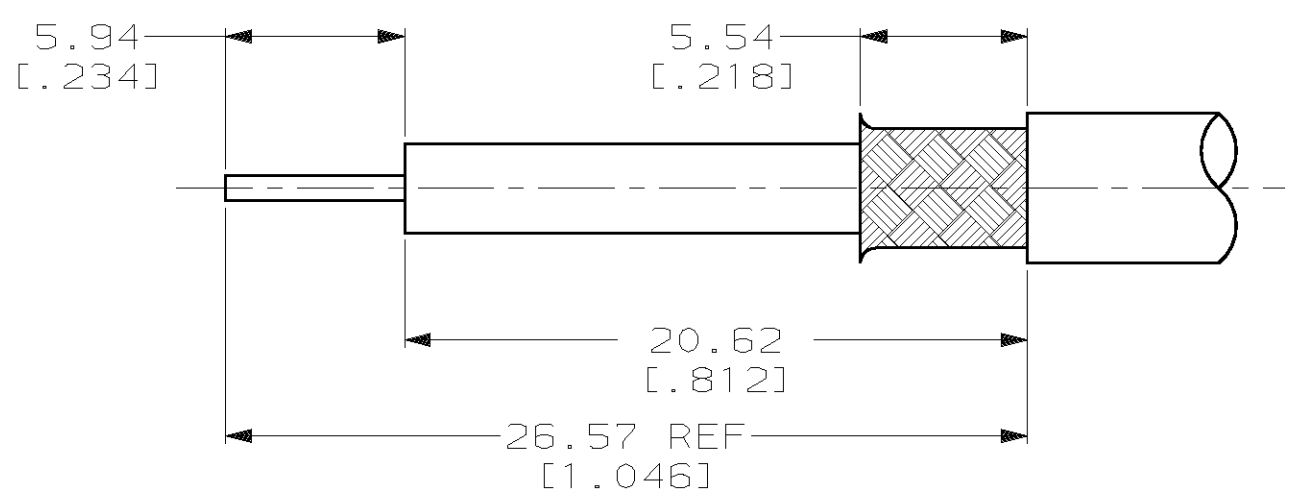
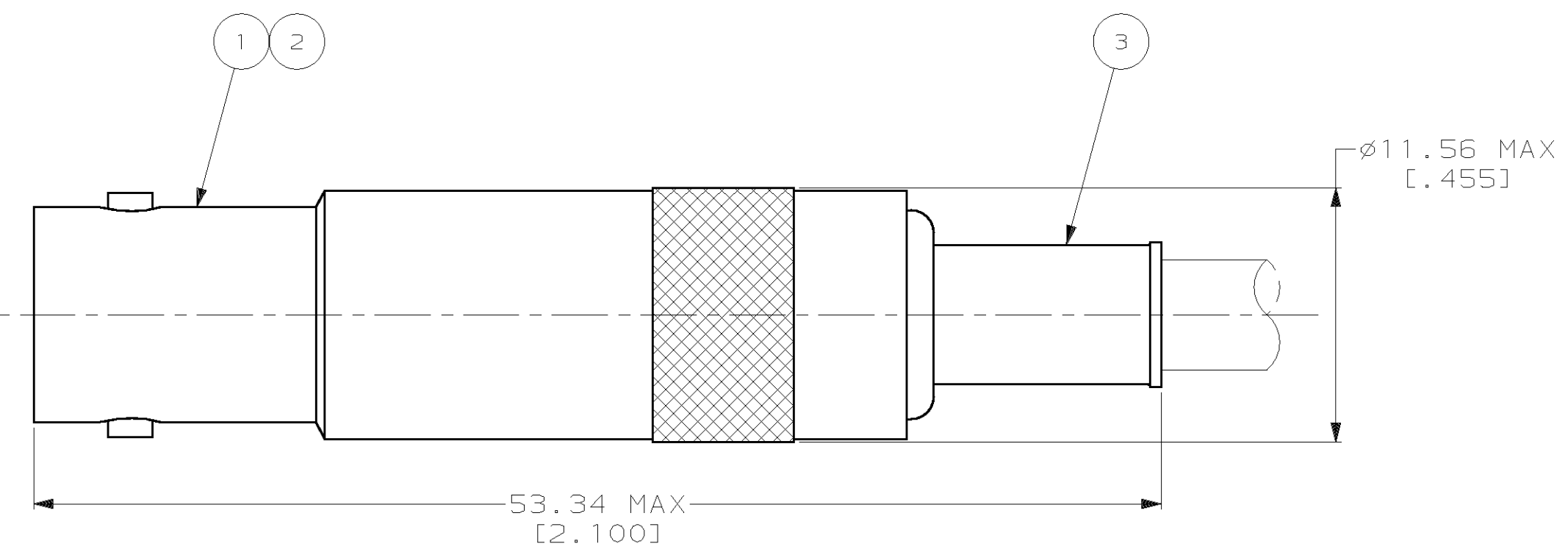


THIS DRAWING IS UNPUBLISHED. RELEASED FOR PUBLICATION, 19 .
 © COPYRIGHT 19 BY AMP INCORPORATED. ALL INTERNATIONAL RIGHTS RESERVED.

LOC	DIST	P	F	ZONE	LTR	DESCRIPTION	DATE	APPD
AJ	16				G	REV PER 0U20-0545-00	27SEP00	M0

1. USE INSTRUCTION SHEET 9821



RECOMMENDED STRIP LENGTH

OBSOLETE	CONSOLIDATED RG-59A/U	220022-2	50428-6	225057-2	225096-4	225087-7
OBSOLETE	RG-71/U	220022-2	1-329460-1	225057-2	225096-4	225087-6
	RG-59/U, 59A/U, 59B/U, 62/U, 62A/U, 62B/U	220022-2	50428-2	225057-2	225096-4	225087-5
	RG-58A/U, 58C/U	220022-1	50427-4	225056-2	225096-3	225087-4
OBSOLETE	RG-71/U	220022-2	329460	225057-2	225096-2	225087-3
SUPERSEDED BY 225087-5	RG-59/U, 59A/U, 59B/U, 62/U, 62A/U, 62B/U	220022-2	50428-1	225057-2	225096-2	225087-2
SUPERSEDED BY 225087-4	RG-58A/U, 58C/U	220022-1	50427-1	225056-2	225096-1	225087-1
	FOR USE WITH CABLE	HAND TOOL	③ FERRULE QTY=1	② CONTACT QTY=1	① JACK ASSEMBLY QTY=1	PART NUMBER

DO NOT SCALE PRINT. UNLESS SPECIFIED DIMENSIONS IN mm [INCHES] TOLERANCES ON : 2 PLC DEC ± 0.41 [.016] 3 PLC DEC ± - ANGLES ± -	DR 3-2-93 M.E. COWHER	AMP Incorporated Harrisburg, PA 17105-3608	
	CHK 3-3-93 M. PHILLIPS		
MATERIAL	APPD 3-3-93 M. PHILLIPS	JACK, STANDARD HIGH VOLTAGE	
FINISH	APPD 3-3-93 M.E. COWHER	SIZE	CAGE CODE
	PRODUCT SPEC	③ 00779	③=225087
	APPLICATION SPEC	SCALE 4:1	DRAWING NO
	WEIGHT -		SHEET 1 OF 1

THIS DRAWING IS A CONTROLLED DOCUMENT FOR AMP INCORPORATED. IT IS SUBJECT TO CHANGE AND THE CONTROLLING ENGINEERING ORGANIZATION SHOULD BE CONTACTED FOR THE LATEST REVISION.